

INSTALLATION INSTRUCTIONS

VOLT® LOW VOLTAGE LANDSCAPE LIGHTING

VOLT® Solar Panel with Frame

ITEM: VSAC-PANEL1-SBK & VSAC-FRAME1-SBK

**IMPORTANT: PLEASE READ BEFORE INSTALLATION**

This solar panel is intended for installation in accordance with local codes and the National Electric Code (NEC). Failure to adhere to these codes and instructions may result in serious injury, property damage and void the warranty.

These instructions do not intend to cover all variations in installation, operation maintenance or mounting situations.

**IMPORTANT SAFETY INSTRUCTIONS**

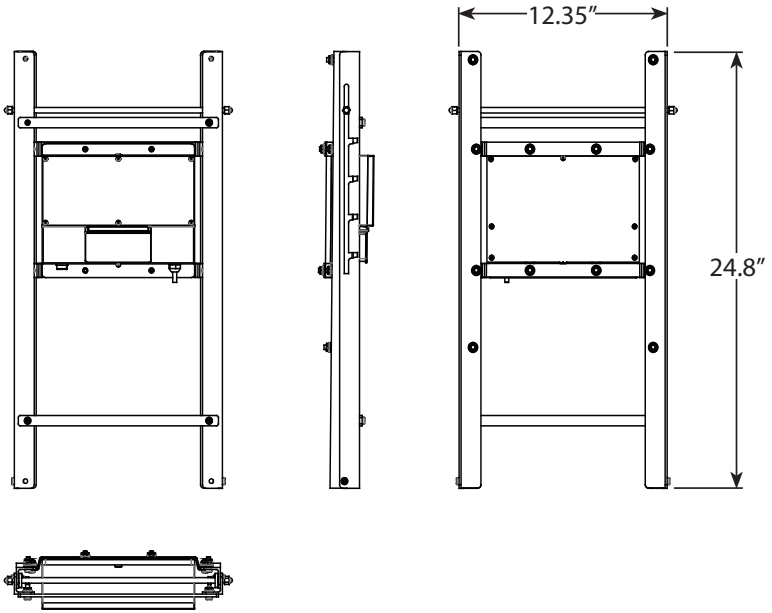
WARNING – To reduce the risk of FIRE OR INJURY TO PERSONS.

1. Place and direct the solar panel in areas with ample sunlight during the day to get best results.
2. Do NOT place solar panel in or around water or fire.
3. Do NOT place the battery in or around water, fire or any other high-temperature locations.
4. Do NOT place the battery backwards, causing the polarity to be reversed.
5. Do NOT connect the positive terminal and the negative terminal of the battery to each other with any metal object (such as wire).
6. Do NOT carry or store the batteries together with necklaces, hairpins, or other metal objects.
7. Do NOT pierce the battery, strike the battery with a hammer, step on the battery, or otherwise subject it to strong impacts or shock.
8. Do NOT solder directly onto the battery.
9. Do NOT expose the battery to fresh or salt water, or allow the battery to get wet.
10. Do NOT place the battery in direct sunshine, or use or store the battery inside vehicles in hot weather.
11. Do NOT disassemble or modify the battery. If necessary, replace batteries only with approved batteries from manufacturer.

PACKAGE CONTENTS

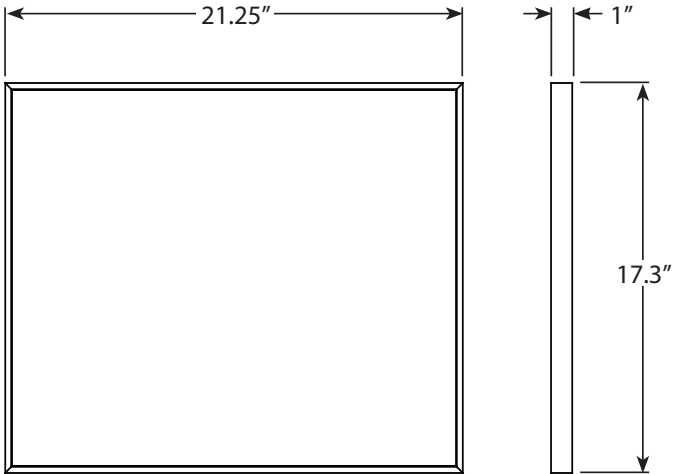
- A. (1) Solar Panel
- B. (1) Bracket

Product Dimensions

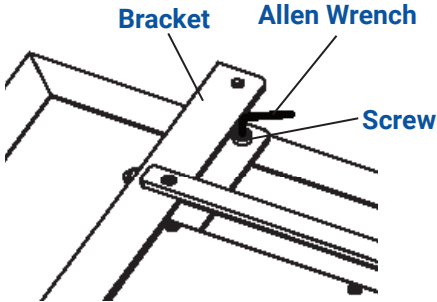


Bracket

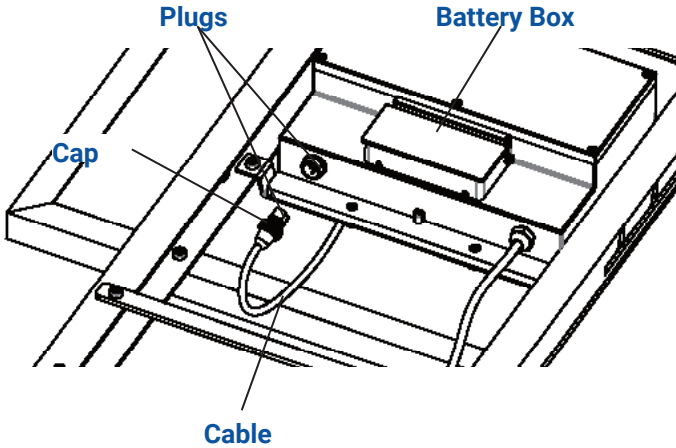
Product Dimensions



Solar Panel

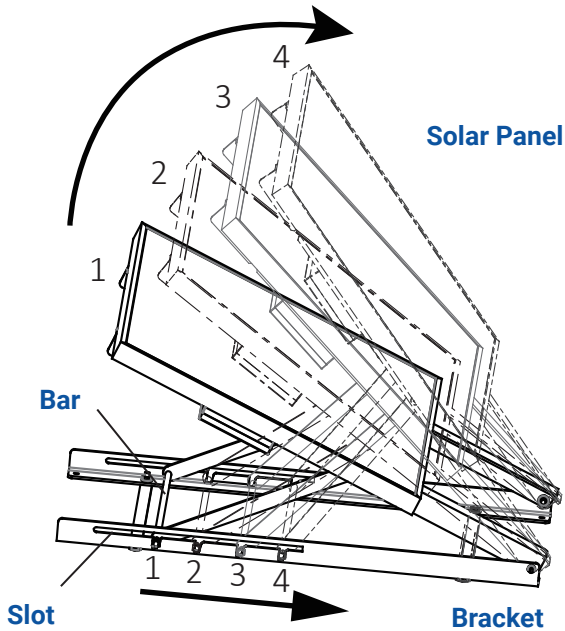
1 Attach the Bracket to the Panel

Attach the bracket to the panel by using the screws and Allen wrench.

2 Connect Solar Panel to Battery Box

Align the plug on the end of the cable and the plug on the solar panel and push them together. Then thread the cap onto them and hand tighten until snug.

3 Adjust Solar Panel



Adjust the solar panel angle by moving the bar of the bracket along the slots. There are four different slots to adjust the solar panel to four different angles.



1-813-978-3700 • Mon-Fri 8am-8pm • Sat-Sun 10am - 6pm (EST)

Specifications and product details subject to change without notice.
© Copyright 2023, VOLT® Lighting, Lutz FL USA 33549 • All rights reserved.
customersupport@voltlighting.com • www.voltlighting.com