

INSTALLATION INSTRUCTIONS

VOLT® LOW VOLTAGE LANDSCAPE LIGHTING

VOLT® Solar Integrated Deck Light

ITEM: VSDL-6012

1-813-978-3700 • Mon-Fri 8am-8pm • Sat-Sun 10am - 6pm (EST)

 **IMPORTANT: PLEASE READ BEFORE INSTALLATION**

This luminaire is intended for installation in accordance with local codes and the National Electric Code (NEC). Failure to adhere to these codes and instructions may result in serious injury, property damage and void the warranty.

These instructions do not intend to cover all variations in installation, operation maintenance or mounting situations.

Please note that these solar fixtures are equipped with built-in photocells, so they will not turn on until it is dark enough. These fixtures will also require plenty of sunlight to function properly. It's best to have the fixture in an area where the sun will get to it at all times throughout the day and where no ambient lighting will affect the photocell at night.

 **INSTRUCTIONS PERTAINING TO A RISK OF FIRE, OR INJURY TO PERSONS
LIGHTED LAMP IS HOT!****WARNING – TO REDUCE THE RISK OF FIRE OR INJURY TO PERSONS.**

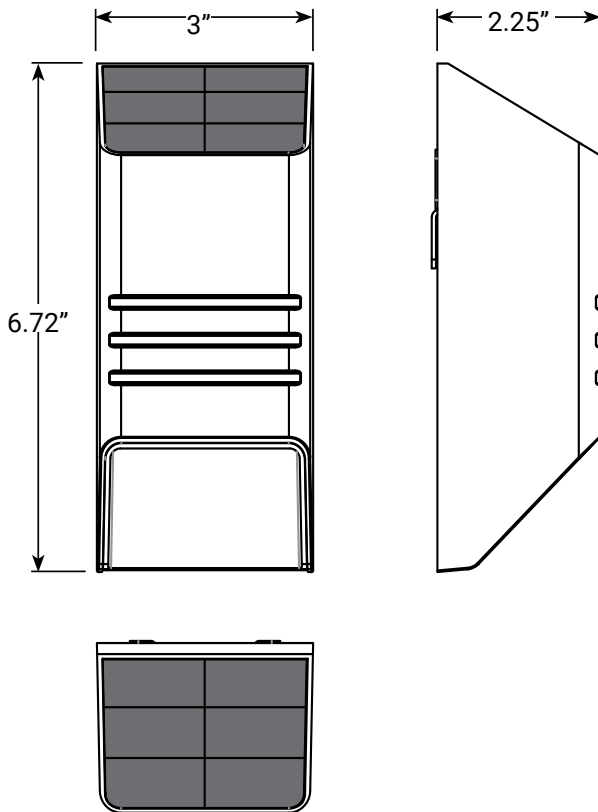
1. Lamp gets HOT quickly!
2. Do not touch the hot lens, guard or enclosure.
3. Keep lamp away from materials that may burn.
4. Do not touch lamp at any time. Use a soft cloth. Oil from skin may damage lamp.
5. Do not operate the luminaire fitting with a missing or damaged shield.

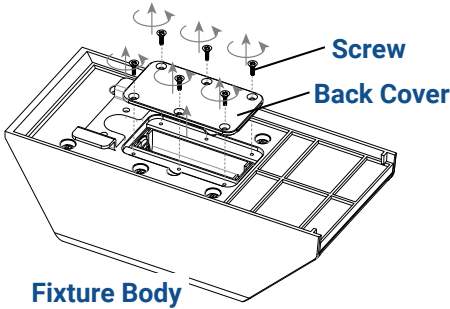
SAVE THESE INSTRUCTIONS

PACKAGE CONTENTS

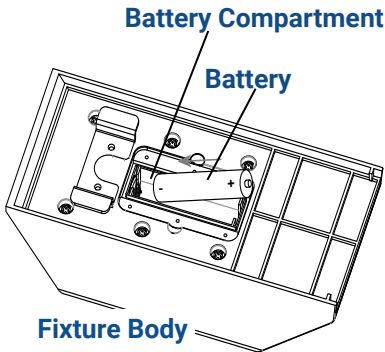
- A. (1) Fixture Body
- B. (1) Battery
- C. (1) Mounting Bracket
- D. (2) Screws
- E. (2) Wall Anchors

PRODUCT DIMENSIONS

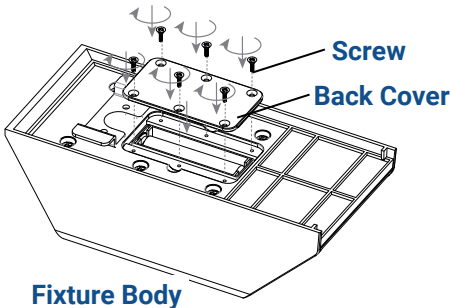


1 REMOVE THE BACK COVER

Using a screwdriver, remove screws from the fixture body. Push on the bottom of the back cover to remove it off of the fixture body.

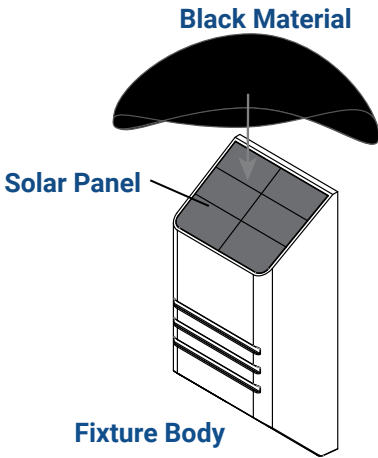
2 INSTALL BATTERY

Identify the correct polarity of the battery and insert the battery into the battery compartment.

3 INSTALL THE BACK COVER

Insert the back cover onto the fixture body and secure with previously removed screws. Tighten until snug with a screw driver.

4 TEST SOLAR LIGHT



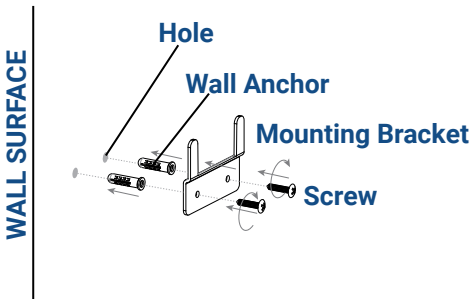
Cover the solar panel completely by using black materials. There will be a short delay for the fixture to light up.

The fixture will light up when the solar panel is covered and turn back off when it is uncovered.

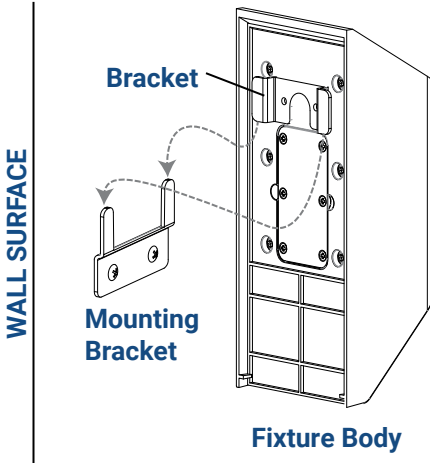
Now you can proceed to next steps of installations knowing the fixture is functional.

5 INSTALL MOUNTING BRACKET

NOTE: These deck lights need to be mounted in a place where there is plenty of sunlight.



1. Place the mounting bracket onto the desired location and mark two points on the wall for the wall anchors.
2. Remove the mounting bracket. Drill the proper holes on the marks for the wall anchors by using an electrical drill.
3. Push the wall anchors into the drilled holes.
4. Attach the mounting bracket onto the wall anchors and secure with the screws. Tighten until snug with a screwdriver.

6 PLACE FIXTURE BODY ON TO MOUNTING BRACKET

Attach the bracket on the back of the fixture body to the mounting bracket on the wall.



1-813-978-3700 • Mon-Fri 8am-8pm • Sat-Sun 10am - 6pm (EST)

Specifications and product details subject to change without notice.
© Copyright 2023, VOLT® Lighting, Lutz FL USA 33549 • All rights reserved.
customersupport@voltlighting.com • www.voltlighting.com