

# INSTALLATION INSTRUCTIONS



VOLT® Line Voltage Landscape Lighting  
VOLT® 120V Bistro Strings  
VSI-2005-25-BK and VSI-2006-50-BK

**Help Hotline:**

**1-813-978-3700 • Mon-Fri 8am-8pm • Sat-Sun 10am - 6pm (EST)**

Specifications and product details subject to change without notice.

© Copyright 2021, VOLT® Lighting, Lutz FL USA 33549 • All rights reserved. [customersupport@voltlighting.com](mailto:customersupport@voltlighting.com) • 813.978.3700



**! Important: Please Read Before Installation**

This fixture is intended for installation in accordance with local codes and the National Electric Code (NEC). Failure to adhere to these codes and instructions may result in serious injury, property damage and void the warranty.

These instructions do not intend to cover all variations in installation, operation maintenance or mounting situations.

1. Make sure that the power is turned OFF before installing or replacing fuses and/or lamps.
2. **This light string is rated 125W (1.04A), do not overload. Connect other lighting strings or decorative outfits end to end up to a maximum of 432W (3.6A) total.**
3. Use only two wire outdoor extension cords that have two-prong grounding plugs and grounding receptacles that accept the two prong plugs. **Do not alter the plug.**
4. Light sockets must be installed base up so that bulbs are facing downward ONLY.
5. Keep combustible material clear of bulbs. Do NOT allow lamps or sockets to come into contact with walls, fabrics associated with shades, blinds or other materials. Lamps should hang freely in a downward direction with a minimum of 3" space from the nearest object.
6. Do not cluster the bulbs.
7. Not intended for installation in ceilings, soffits, cabinets or other enclosed spaces.
8. Avoid making connections or disconnections when the equipment is wet. Do not use with extension cord near or where water may accumulate. Do not submerge. Keep lamps at least 16 feet from pools and spas. Keep receptacles dry.
9. For temporary (90 days max) installation and use only.

## ! Important: Safety Instructions

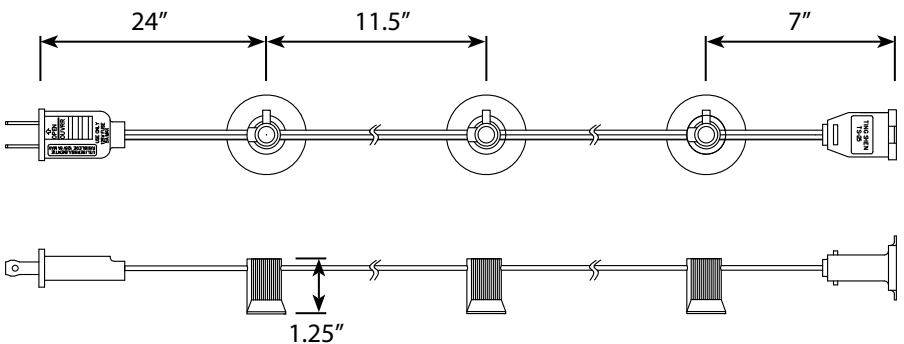
### WARNING - TO REDUCE THE RISK OF FIRE OR INJURY TO PERSONS.

1. Disconnect power at source prior to re-lamping String Lights.
2. For outdoor String Lights, do NOT re-lamp light strings during rain or when wet.
3. Re-lamp String Lights only during dry and calm weather conditions.
4. Do NOT secure light strings to buildings or other structural supports using nails, staples or other sharp, conducting materials. **DO NOT DAMAGE THE WIRE.**
5. Do NOT pierce or otherwise compromise wires or socket's outer covering, jacket or sheathing.
6. Periodically inspect wire and sockets for degradation due to weather, UV light or other damage. Promptly replace worn out light string.

## Package Contents

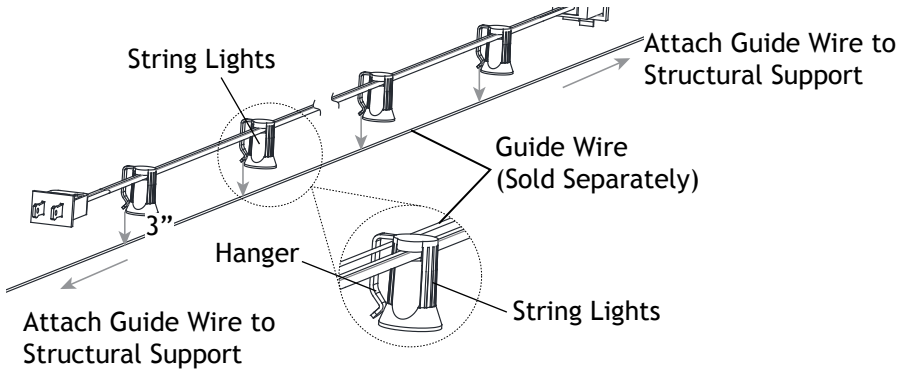
- A. (1) String (25 feet or 50 feet)
- B. (1) Set of Lamps (25 or 50 pieces)

## Product Dimensions



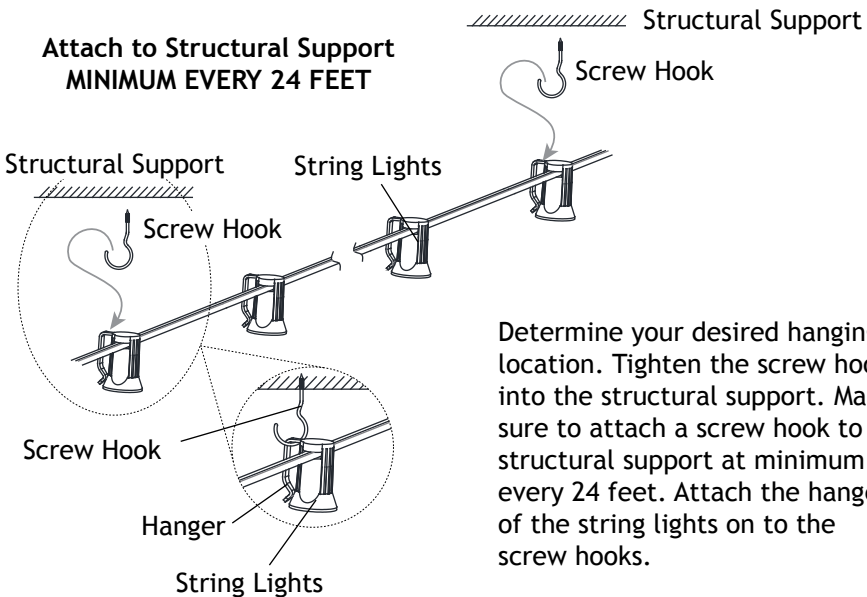


**1 Installation Method 1: Using a Guide Wire**



Pass the guide wire through the holes on the top end of the sockets and then fix the guide wire to your desired location or tie the bistro string to applicable locations directly.

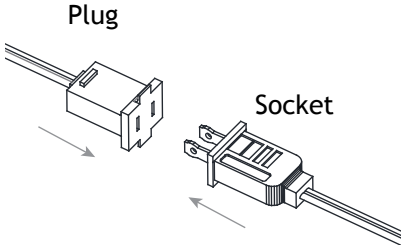
**2 Installation Method 2: Attach to a Structure**



Determine your desired hanging location. Tighten the screw hook into the structural support. Make sure to attach a screw hook to a structural support at minimum every 24 feet. Attach the hangers of the string lights on to the screw hooks.

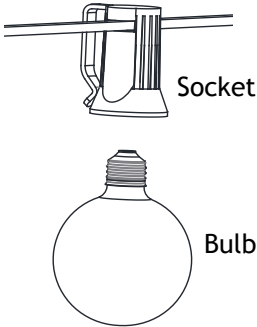
### 3 Multiple Strings Connection (Optional)

It is easy to connect multiple strings. Refer to wattage information below.



**The MAXIMUM wattage per bulb is 5 watts.  
DO NOT EXCEED 432 watts with all sets combined.**

### 4 Install Lamps



Tighten the UL Classified bulbs (5 watt Max Candelabra-base) into the socket clockwise until the top of the socket forms a tight seal around the bulb and the bulb makes solid contact with the socket.

Insert the plug of the first string into the wall outlet to complete the installation.







**Help Hotline:**

**1-813-978-3700 • Mon-Fri 8am-8pm • Sat-Sun 10am - 6pm (EST)**

[www.voltlighting.com](http://www.voltlighting.com)

Specifications and product details subject to change without notice.

© Copyright 2021, VOLT® Lighting, Lutz FL USA 33549 • All rights reserved. [customersupport@voltlighting.com](mailto:customersupport@voltlighting.com) • 813.978.3700