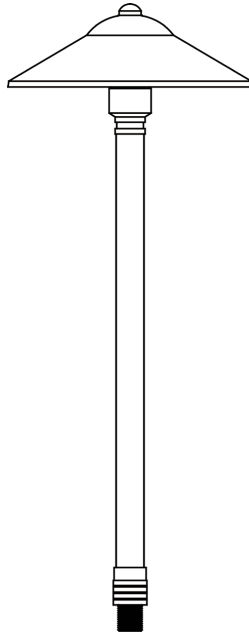


# VOLT®



## **INSTALLATION INSTRUCTIONS**

### **VOLT® LOW VOLTAGE LANDSCAPE LIGHTING**

**VOLT® Path & Area Light Stem**  
**ITEM: VSM-2407 & VSM-1203**

1-813-978-3700 • Mon-Fri 8am-8pm • Sat-Sun 10am - 6pm (EST)

 **Important: Please Read Before Installation**

This fixture is intended for installation in accordance with local codes and the National Electric Code (NEC). Failure to adhere to these codes and instructions may result in serious injury, property damage and void the warranty.

These instructions do not intend to cover all variations in installation, operation maintenance or mounting situations.

1. Make sure that the power is turned OFF before installing or servicing this fixture.
2. Warning: this fixture is not intended to be installed within 10 feet [3 meters] of a pool, spa or fountain.
3. This fixture is intended to be used only with a power supply (transformer) rated maximum of 300 watts (25 AMPS) at 15 volts.
4. Underground Low Energy Cable must not be buried over 6" (15.2 cm) in order to connect to the main low voltage cable.
5. Wiring connections must be made with UL listed wire connectors that are suitable for outdoor use.
6. Position the wire connector so that it is located within 6 inches (15.2 cm) from a building structure, a luminaire, or fitting
7. If additional lengths of low voltage cable are required, please contact [www.voltlighting.com](http://www.voltlighting.com) or call 1-813-978-3700.

 **Important Safety Instructions****LIGHTED LAMP IS HOT!**

**WARNING - TO REDUCE THE RISK OF FIRE OR INJURY TO PERSONS.**

1. Turn off/unplug and allow to cool before reducing lamp.
2. Lamp gets HOT quickly!
3. Do not touch the hot lens, guard or cowl.
4. Keep lamp away from materials that may burn.
5. Do not touch lamp at any time.
6. Use a soft cloth.
7. Oil from skin may damage lamp.
8. Do not operate the fixture with a damaged or missing lens or shield.

## Package Contents

A. (1) Stem

## Parts Required (sold separately)

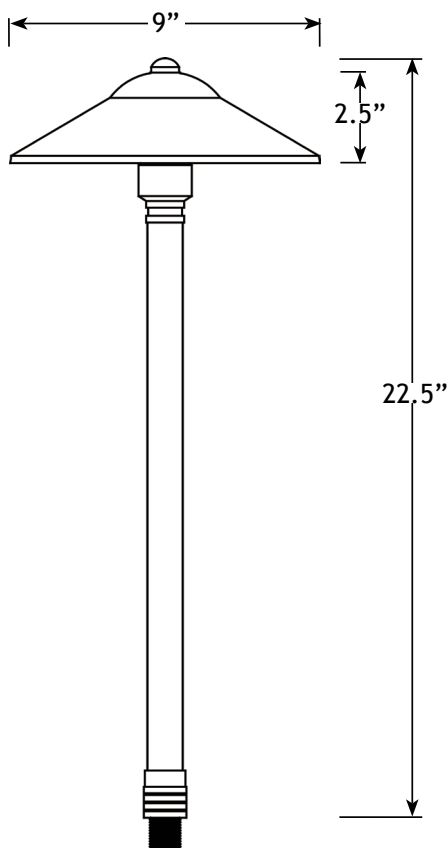
A. (1) Hat

B. (1) Bulb

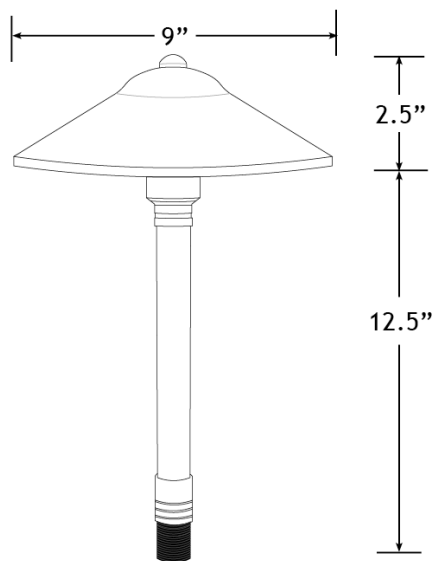
C. Stake

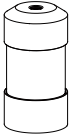
## Product Dimensions

*Max Spread Hat Pictured Here on  
Standard stem*



*Max Spread Hat Pictured Here on  
Mini stem*



**1 Remove Stem Top**

Stem Top

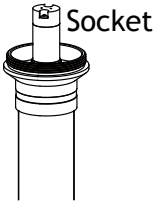


Stem

Loosen the stem top and remove it from the stem.

**2 Install Bulb**

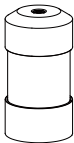
Bulb



Socket

Insert the bulb with correct wattage and type marked on the fixture label and push firmly into place.

**CAUTION:** Do not exceed maximum wattage marked on luminaire label.

**3 Install Stem Top**

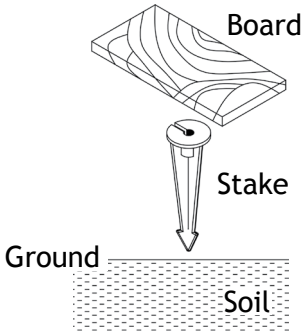
Stem Top



Stem

Place the stem top over the bulb and thread the stem top onto the stem. Hand tighten until snug.

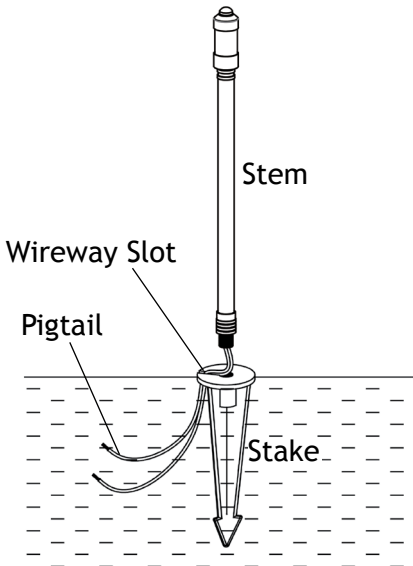
## 4 Install Stake



Determine the desired location for mounting the fixture. Hammer the stake into the ground until the flange of the stake is flush to grade. To avoid damage to the stake, place a board on top of the stake while hammering.

**NOTE:** If the ground is hard and the stake is difficult to install, make a crosscut in the ground using a flat shovel.

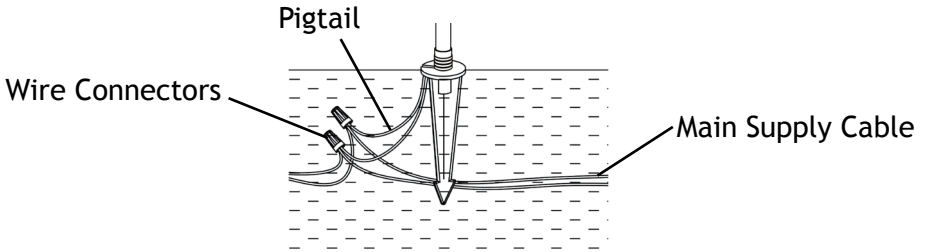
## 5 Install Stem to Stake



Clear away an area in the ground at the wireway slot on the top of the stake. Lay the luminaire pigtail into the wireway slot and attach the stem onto the stake. Tighten until snug.

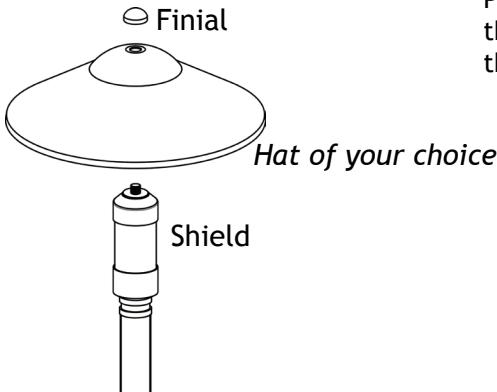


**6 Wire Connection**



Strip both leads from the luminaire pigtail. Using two wire connectors (sold separately), connect the leads from the luminaire to the main supply cable leads.

**7 Install Hat**



Place the hat of your choice onto the stem top and secure it with the finial. Hand tighten until snug.

## Install/Replace Bulb

Remove the finial, hat and stem top to expose the bulb. Replace it with the correct wattage and type marked on the fixture label. Then, reinstall the stem top and hat.

**IMPORTANT:** Bulbs must be protected from moisture and dust at all times. Always reinstall the stem top and hat when removed.



1-813-978-3700 • Mon-Fri 8am-8pm • Sat-Sun 10am - 6pm (EST)

Specifications and product details subject to change without notice.  
© Copyright 2023, VOLT® Lighting, Lutz FL USA 33549 • All rights reserved.  
[customersupport@voltlighting.com](mailto:customersupport@voltlighting.com) • [www.voltlighting.com](http://www.voltlighting.com)