

INSTALLATION INSTRUCTIONS



VOLT® Low Voltage Landscape Lighting

VOLT® Wide Splash R7S Brass Underwater Light (Bronze)

VUL-6804-25-BBZ

Help Hotline:

1-813-978-3700 • Mon-Fri 8am-8pm • Sat-Sun 10am - 6pm (EST)

Specifications and product details subject to change without notice.
© Copyright 2023, VOLT® Lighting, Lutz FL USA 33549 • All rights reserved.
customersupport@voltlighting.com • 813.978.3700



! Important: Please Read Before Installation

This fixture is intended for installation in accordance with local codes and the National Electric Code (NEC). Failure to adhere to these codes and instructions may result in serious injury, property damage and void the warranty.

These instructions do not intend to cover all variations in installation, operation maintenance or mounting situation.

1. Make sure that the power is turned OFF before installing or servicing this fixture.
2. This fixture is intended to be used only with a power supply (transformer) rated maximum of 300 watts (25 AMPS) at 15 volts.
3. Underground Low Energy Cable must not be buried over 6" (15.2 cm) in order to connect to the main low voltage cable.
4. Wiring connections must be made with UL Listed wire connectors that is suitable for the application.
5. Position the UL listed wire connector so that it is located within 6 inches (15.2 cm) from a building structure, a luminaire, or fitting.

“WARNING - RISK OF ELECTRIC SHOCK”

- Use only in ponds and small decorative fountains where persons will immerse no more than their hands and lower arms while the product is energized.
- DO NOT use in water intended for swimming, wading, immersion, or bathing.
- All installer completed cable connections must be located outside of pond or fountain.
- Low voltage circuit must be supplied by a power unit marked as suitable for supplying submersible luminaires.
- Power unit must be supplied by a circuit protected by a ground fault circuit interrupter (GFCI).
- “Maximum depth: 18 in (450 mm)”.

Important Safety Instructions

LIGHTED LAMP IS HOT!

WARNING - TO REDUCE THE RISK OF FIRE OR INJURY TO PERSONS.

1. Turn off/unplug and allow to cool before reducing lamp.
2. Lamp gets HOT quickly!
3. Do not touch the hot lens, guard or cowl.
4. Keep lamp away from materials that may burn.
5. Do not touch lamp at any time. Use a soft cloth. Oil from skin may damage lamp.

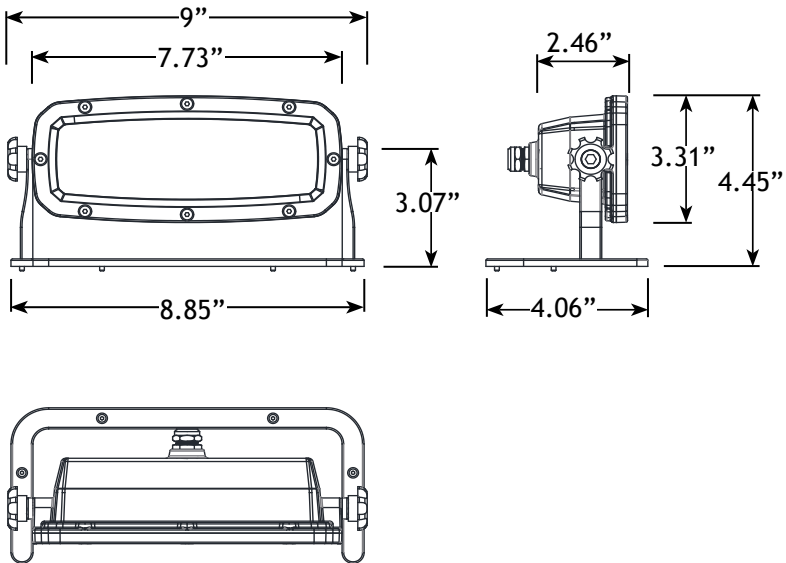
Package Contents

- | | |
|-------------------------|---------------------------|
| A. (1) Fixture Body | C. (1) Small Allen Wrench |
| B. (1) Big Allen Wrench | |

Parts (sold separately)

- | | |
|-----------------|---------------|
| A. (1) R7S Bulb | C. (4) Screws |
| B. (4) Anchors | |

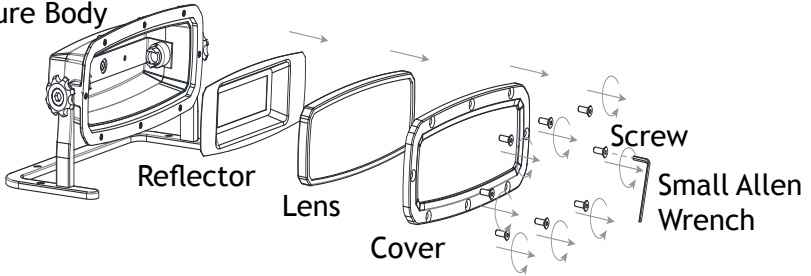
Product Dimensions





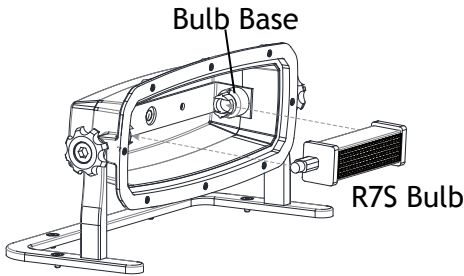
1 Remove Lens and Reflector

Fixture Body



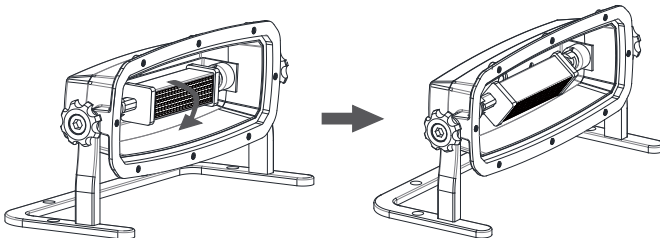
Use the Small Allen Wrench to loosen the screws on the cover to remove the cover, the lens and the reflector from the fixture body.

2 Install R7S Bulb



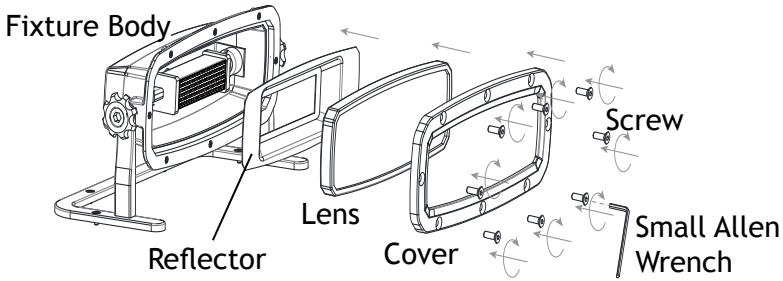
Insert the R7S bulb with the correct wattage and type marked on fixture label and push into place. Make sure the LED surface of R7S bulb is facing outside during installation.

CAUTION: Do not exceed maximum wattage marked on luminaire label.



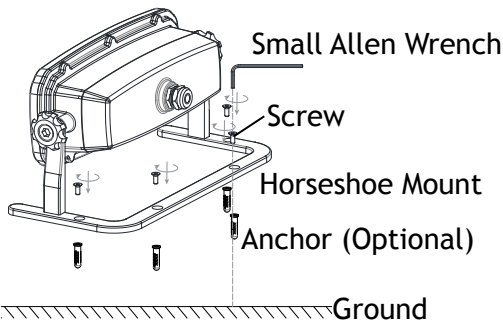
If you would like to decrease the output, rotate the R7S bulb towards the back of the fixture.

3 Install Lens and Reflector



Place the reflector, the lens and the cover back onto the fixture body and secure with previously removed screws. Hand tighten until snug with Small Allen Wrench.

4 Install Horseshoe Mount

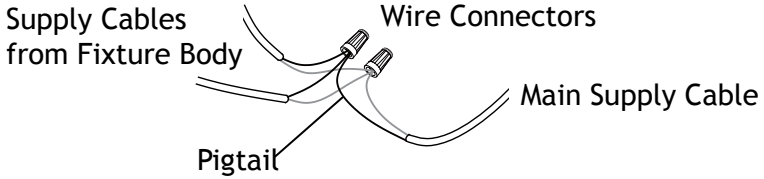


Attach the horseshoe mount to the desired location and mark (4) points for anchors from the holes on the horseshoe mount. Drill proper holes on the location and insert the anchors into the drilled holes. Attach the horseshoe mount onto the anchors. Thread the mounting screws into the anchors to secure the horseshoe mount. Hand tighten until snug with Small Allen Wrench.

NOTE: SOME APPLICATIONS ARE NOT SUITABLE FOR PERMANENT MOUNTING AND DO NOT REQUIRE OR WARRANT THE USE OF SCREWS AND ANCHORS.

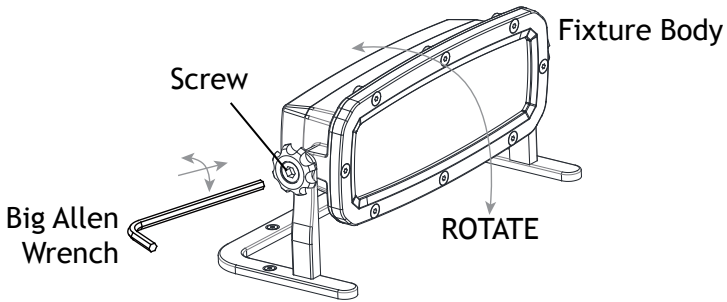


5 Wire Connection



Strip both leads from the luminaire pigtail. Using two UL listed wire connectors (sold separately), connect the leads from the fixture body to the main supply cable leads.

6 Adjust Luminaire Direction



Use the Big Allen Wrench to loosen the screws on the sides to rotate the fixture body to the desired direction. Always tighten the screws after adjustment.

7 Install/Replace R7S Bulb

Reverse step 1 - step 3 to remove the cover, the lens and the reflector to expose the R7S bulb and replace it with the correct wattage and type marked on the fixture label. Then, reinstall the reflector, the lens and the cover.

IMPORTANT: Lamps must be protected from moisture and dust at all times. Always re-install the reflector, the lens and the cover when removed.



Help Hotline:

1-813-978-3700 • Mon-Fri 8am-8pm • Sat-Sun 10am - 6pm (EST)

www.voltlighting.com

Specifications and product details subject to change without notice.
© Copyright 2023, VOLT® Lighting, Lutz FL USA 33549 • All rights reserved.
customersupport@voltlighting.com • 813.978.3700