

# INSTALLATION INSTRUCTIONS



## VOLT® Low Voltage Landscape Lighting

VOLT® RGBW Salty Dog Integrated LED Brass In-Grade Light (Bronze)

VWL-7124-BBZ

### Help Hotline:

1-813-978-3700 • Mon-Fri 8am-8pm • Sat-Sun 10am - 6pm (EST)

Specifications and product details subject to change without notice.

© Copyright 2022, VOLT® Lighting, Lutz FL USA 33549 • All rights reserved. [customersupport@voltlighting.com](mailto:customersupport@voltlighting.com) • 813.978.3700



## **! Important: Please Read Before Installation**

This fixture is intended for installation in accordance with local codes and the National Electric Code (NEC). Failure to adhere to these codes and instructions may result in serious injury, property damage and void the warranty.

These instructions do not intend to cover all variations in installation, operation maintenance or mounting situations.

1. Make sure that the power is turned OFF before installing or servicing this fixture.
2. Warning: this fixture is not intended to be installed within 10 feet [3 meters] of a pool, spa or fountain.
3. This fixture is intended to be used only with a power supply (transformer) rated maximum of 300 watts (25 AMPS) at 15 volts.
4. Underground Low Energy Cable must not be buried over 6" (15.2 cm) in order to connect to the main low voltage cable.
5. Wiring connections must be made with UL listed wire connectors that are suitable for outdoor use.
6. Position the wire connector so that it is located within 6 inches (15.2 cm) from a building structure, a luminaire, or fitting.
7. IR dimmability with our Design-Master™ Remote Control.

## **! Important: Safety Instructions**

### **LIGHTED LAMP IS HOT!**

**WARNING - TO REDUCE THE RISK OF FIRE OR INJURY TO PERSONS.**

1. Turn off/unplug and allow to cool before reducing lamp.
2. Lamp gets HOT quickly!
3. Do not touch the hot lens, guard or cowl.
4. Keep lamp away from materials that may burn.
5. Do not touch lamp at any time.
6. Use a soft cloth.
7. Oil from skin may damage lamp.
8. Do not operate the fixture with a damaged or missing lens or shield.

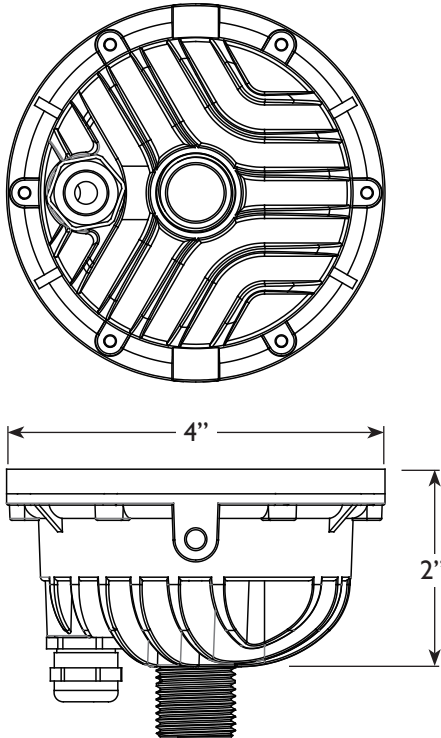
## Package Contents

- A. (1) Fixture body

## Parts Required (sold separately)

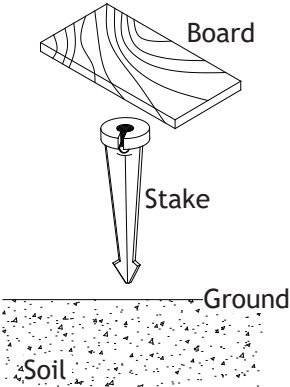
- A. Mounting Accessory

## Product Dimensions





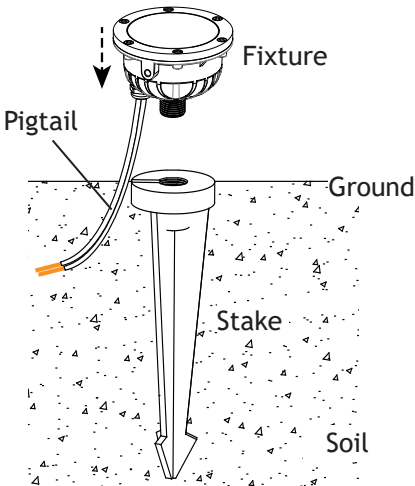
**1 Install Stake**



Determine the desired location for mounting the fixture. Hammer the stake into the ground until flange of stake is flush to grade. To avoid damage to the stake, place a board on top of the stake while hammering.

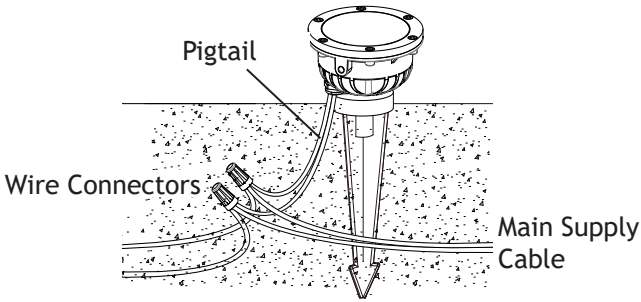
NOTE: If the ground is hard and the stake is difficult to install, make a crosscut in the ground using a flat shovel.

**2 Install Fixture to Stake**



Clear away an area in the ground for the stake. Lay the luminaire pigtail into the cleared area and screw the fixture onto the stake. Tighten until snug.

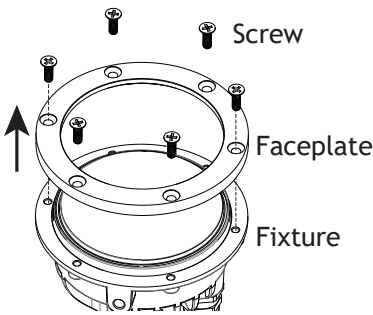
### 3 Wire Connections



Strip both leads from the luminaire pigtail. Using two wire connectors (sold separately), connect the leads from the luminaire to the main supply cable.

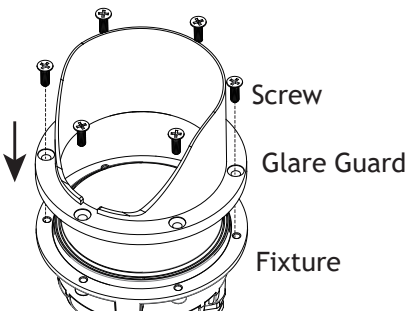
### Install/Replace Glare Guard

#### 1 Remove Faceplate



Loosen the screws and remove the faceplate from the fixture.

#### 2 Install Glare Guard



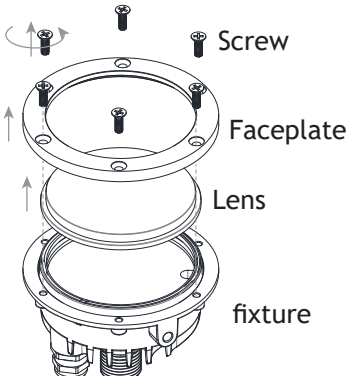
Attach the glare guard onto the fixture and secure it with the screws previously removed.

Now you can power on the system, the light is 2700K and the optic is 60 degrees as default.



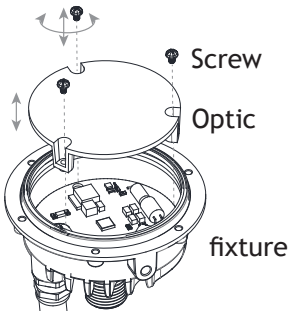
**Install/Replace Optic**

**1 Remove Faceplate and Lens**



Loosen all screws on the faceplate. Remove the faceplate and lens from the fixture.

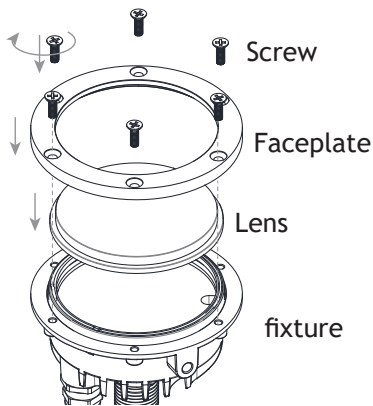
**2 Replace Optic**



Loosen the screws and remove the optic from the fixture.

Install the new optic in the fixture. Make sure that you have the optic properly aligned over the LED board before tightening down. Improper alignment when tightening the screws can cause the optic to break.

### 3 Reinstall Lens and Faceplate

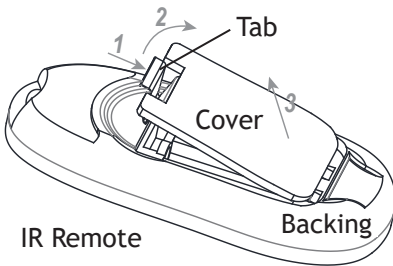


Place the lens and faceplate back onto the fixture. Secure them with previously removed screws. Tighten with a screwdriver.

### IR Remote (Optional)

An IR Remote is optional for this fixture. The IR remote requires two AAA batteries.

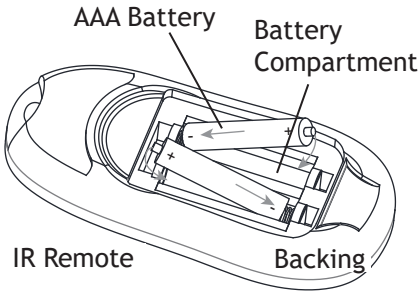
### 1 Remove the Battery Compartment Cover



Press the tab and lift the battery compartment cover to remove it from the IR Remote.

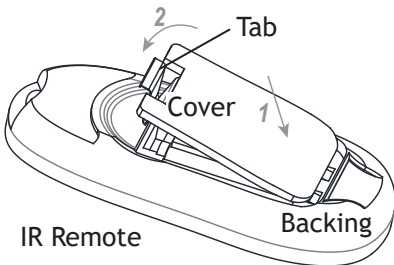


## 2 Install Two AAA Batteries



Place two AAA batteries into the battery compartment properly.

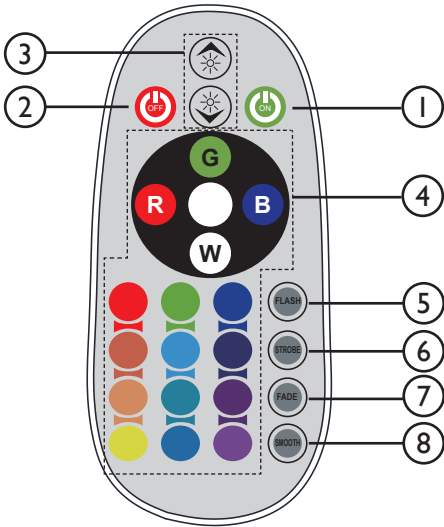
## 3 Install the Battery Compartment Cover



Place the battery compartment cover back onto the IR Remote.



## 4 IR Remote Functions



1. On
2. Off
3. Brightness Control
4. 16 color selections
5. Flash
  - Mode 1: Repeats Red, Green, Blue + color cycle for 1 second duration of each of the seven colors within this mode.
  - Mode 2: Hit flash a second time and this mode slowly blends the same seven colors from mode one, mixing them together.

### 6. Strobe

- Mode 1: Pick any color on the remote, then press strobe and that color will strobe every second alternating between on and off.
- Mode 2: Hit strobe a second time and this mode will strobe a blended white color at the same speed as before.

### 7. Fade

- Mode 1: Pick any color on the remote, then press fade and that color will slowly fade on and off every second.
- Mode 2: Hit fade a second time and it will fade a blended white color on and off at the same speed as before.

### 8. Smooth

- Mode 1: Repeats a flash cycle of Red, Green, and Blue only.
- Mode 2: Hit smooth a second time and this mode slowly blends Red, Green, and Blue only; on and off at the same speed.

INSTALLATION INSTRUCTIONS



VOLT® RGBW Salty Dog Integrated LED Brass In-Grade Light (Bronze)

VWL-7124-BBZ





**Help Hotline:**

**1-813-978-3700 • Mon-Fri 8am-8pm • Sat-Sun 10am - 6pm (EST)**

[www.voltlighting.com](http://www.voltlighting.com)

Specifications and product details subject to change without notice.

© Copyright 2022, VOLT® Lighting, Lutz FL USA 33549 • All rights reserved. [customersupport@voltlighting.com](mailto:customersupport@voltlighting.com) • 813.978.3700