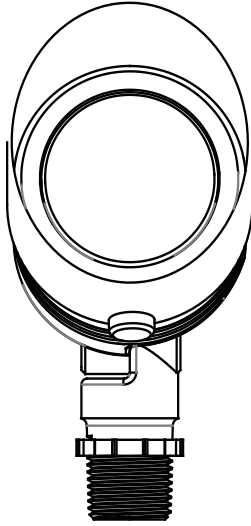


# VOLT®



## **INSTALLATION INSTRUCTIONS**

### **VOLT® LOW VOLTAGE LANDSCAPE LIGHTING**

VOLT® Solar Spotlight Kit  
**ITEM: VSAL-9001-25-BBZ**

1-813-978-3700 • Mon-Fri 8am-8pm • Sat-Sun 10am - 6pm (EST)

 **IMPORTANT: PLEASE READ BEFORE INSTALLATION**

This luminaire is intended for installation in accordance with local codes and the National Electric Code (NEC). Failure to adhere to these codes and instructions may result in serious injury, property damage and void the warranty.

These instructions do not intend to cover all variations in installation, operation maintenance or mounting situations.

 **IMPORTANT SAFETY INSTRUCTIONS**

**INSTRUCTIONS PERTAINING TO A RISK OF FIRE, OR INJURY TO PERSONS**  
**Lighted lamp is HOT!**

**WARNING** – To reduce the risk of FIRE OR INJURY TO PERSONS.

1. Lamp gets HOT quickly!
2. Do not touch the hot lens, guard or enclosure.
3. Keep lamp away from materials that may burn.
4. Do not touch lamp at any time. Use a soft cloth. Oil from skin may damage lamp.
5. Do not operate the luminaire fitting with a missing or damaged shield.

**SAVE THESE INSTRUCTIONS**

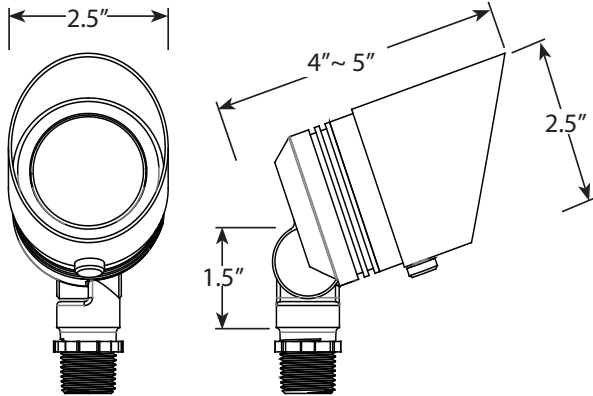
**PACKAGE CONTENTS**

- A. (1) Spot Light

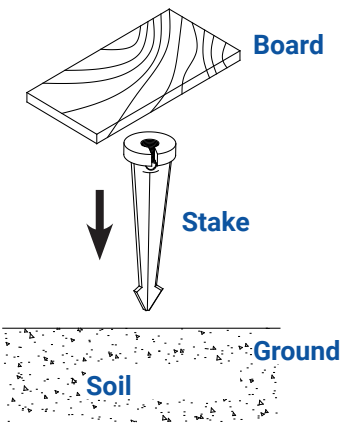
**Required Parts (sold separately)**

- A. (1) Solar Panel with Bracket

## PRODUCT DIMENSIONS

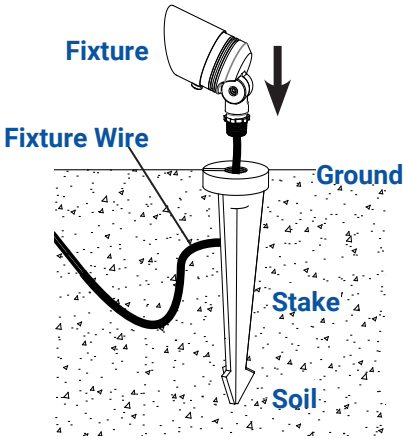


## 1 INSTALL STAKE

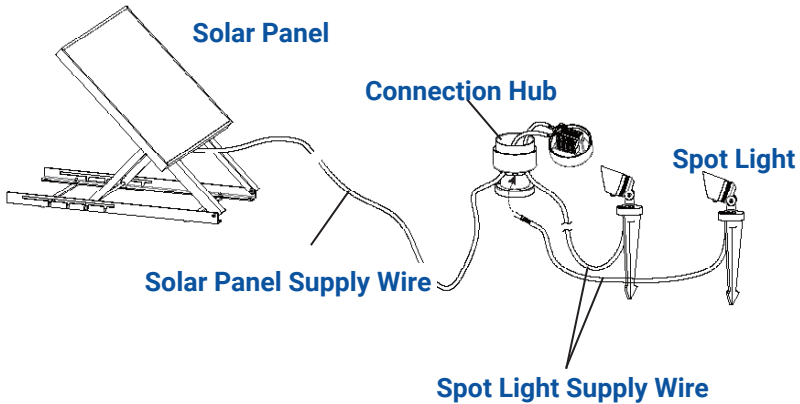


Determine the desired location for mounting the stake mount. Hammer the stake into the ground until flange of stake is flush to grade. To avoid damage to the stake, place a board on top of the stake while hammering.

Note: If the ground is hard and the stake is difficult to install, make a crosscut in the ground using a flat shovel.

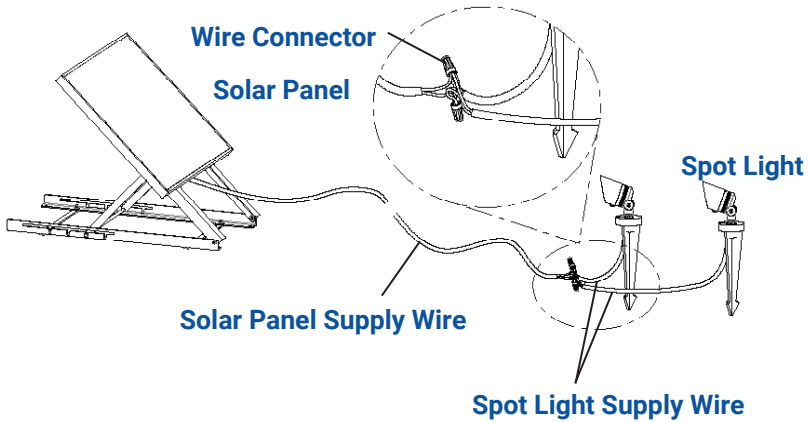
**2 INSTALL FIXTURE BODY TO STAKE**

Pass the fixture wire through the center opening of the stake. Thread the fixture onto the stake. Hand tighten until snug.

**3 Wire Connection: Option A (Recommended)**

**OPTION A: Connect with Connection Hub**

## 4 Wire Connection: Option B



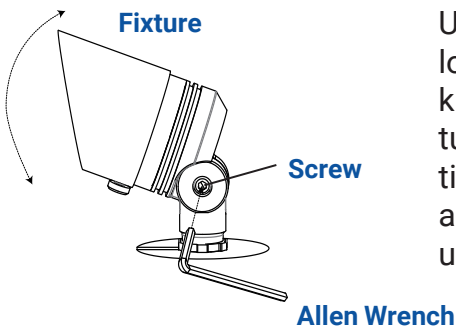
### OPTION B: Connect with Wire Connectors

You can choose from Option A or Option B to complete the installation. Option A is the recommended method to install the solar lights.

Optional A: Strip the supply wire leads from the solar panel and the supply wire leads from the spot lights. Insert both the lead wires into the connection hub. There is a maximum of 7 fixtures that can be connected to the hub.

Optional B: Strip the supply wire leads from the solar panel and the supply wire leads from the spot light. Using two wire connectors (sold separately), connect the leads from the solar panel to the spot light.

## 5 Adjust Fixture Direction



Using the Allen wrench, loosen the screw on the knuckle and adjust the fixture to your desired direction. Once your direction is achieved, tighten the screw until snug.



1-813-978-3700 • Mon-Fri 8am-8pm • Sat-Sun 10am - 6pm (EST)

Specifications and product details subject to change without notice.  
© Copyright 2023, VOLT® Lighting, Lutz FL USA 33549 • All rights reserved.  
[customersupport@voltlighting.com](mailto:customersupport@voltlighting.com) • [www.voltlighting.com](http://www.voltlighting.com)