

INSTALLATION INSTRUCTIONS



VOLT® Low Voltage Landscape Lighting

VOLT® Dojo Deck Light

VDL-6009-4-BBZ

Help Hotline:

1-813-978-3700 • Mon-Fri 8am-8pm • Sat-Sun 10am - 6pm (EST)

Specifications and product details subject to change without notice.
© Copyright 2019, VOLT® Lighting, Lutz FL USA 33549 • All rights reserved.
customersupport@voltlighting.com • 813.978.3700



! Important: Please Read Before Installation

This fixture is intended for installation in accordance with local codes and the National Electric Code (NEC). Failure to adhere to these codes and instructions may result in serious injury, property damage and void the warranty.

These instructions do not intend to cover all variations in installation, operation maintenance or mounting situations.

1. Make sure that the power is turned OFF before installing or servicing this fixture.
2. Warning: this fixture is not intended to be installed within 10 feet [3 meters] of a pool, spa or fountain.
3. This fixture is intended to be connected to a low voltage transformer.
4. Underground Low Energy Cable must not be buried over 6" (15.2 cm) in order to connect to the main low voltage cable.
5. Wire connections must be made with UL listed wire connectors that are suitable for outdoor use.

! Important Safety Instructions

LIGHTED LAMP IS HOT!

WARNING - TO REDUCE THE RISK OF FIRE OR INJURY TO PERSONS.

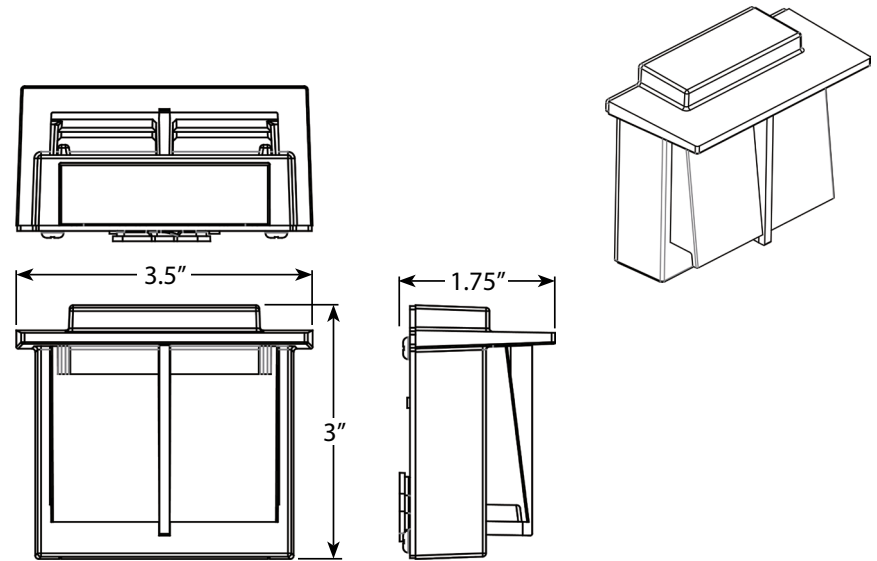
1. Turn off/unplug and allow to cool before replacing lamp.
2. Lamp gets HOT quickly!
3. Do not touch the hot lens, guard or cowl.
4. Keep lamp away from materials that may burn.
5. Do not touch lamp at any time.
6. Use a soft cloth.
7. Oil from skin may damage lamp.
8. Do not operate the fixture with a damaged or missing lens or shield.

Package Contents

A. (1) Fixture Body

B. (2) Lock Screw

Product Dimensions



ProTip for Hiding Lead Wire

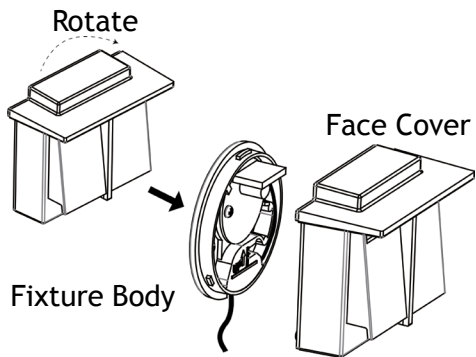
Determine the location for the fixture. Drill a hole straight through the desired mounting location and run the lead wire out the backside of the location so that the wires are not visible from the front side. Use a matching trim piece and cut a groove in the back of trim. Cover the lead wires with the matching trim piece.

ProTip for Hiding Splice Connections

All fixtures come with 4' of lead wire enabling you to hide the splice connections out of sight. If you must make a splice connection in view, use an inline heat shrink style connection that is less visible than traditional twist caps.



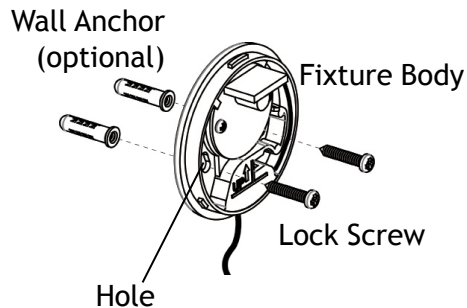
1 Remove Face Cover



Rotate the face cover until it stops and then lift the cover straight off.

Note: The first time it may be difficult because the fixture has a very tight o-ring seal and a grease sealant for moisture protection.

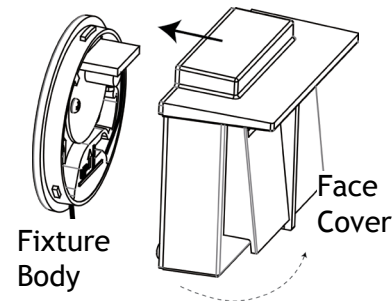
2 Install Fixture Body



Attach the fixture body to your desired location and secure with lock screws.

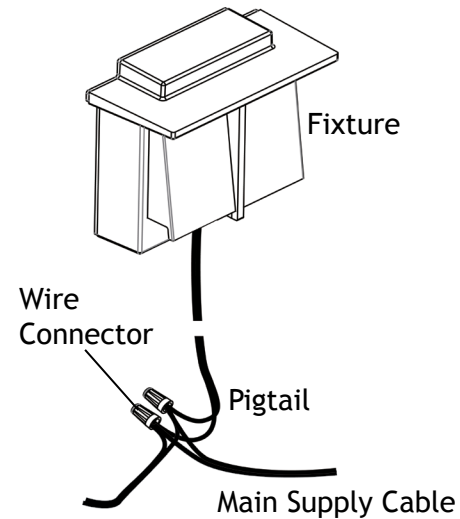
Note: Wall anchors may be required for certain installation conditions (e.g. Brick walls, Concrete Walls, etc.). Mark on the wall using holes on the fixture body to drill holes for your wall anchors. Remove base and drill proper holes in the wall, then insert wall anchors.

3 Install Face Cover



Push face cover back onto the fixture body aligned with the gaps in the fixture body. Once the face cover is flush with the fixture body, rotate the face cover until it stops and locks into place.

4 Wire Connections



Strip both leads from luminaire pigtail. Using two wire connectors (sold separately), connect leads from luminaire to main supply cable leads.



Help Hotline:

1-813-978-3700 • Mon-Fri 8am-8pm • Sat-Sun 10am - 6pm (EST)

www.voltlighting.com

Specifications and product details subject to change without notice.
© Copyright 2019, VOLT® Lighting, Lutz FL USA 33549 • All rights reserved.
customersupport@voltlighting.com • 813.978.3700

IS-VDL-6009-4-BBZ-VER3.pdf