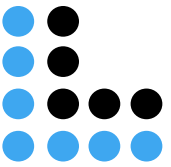


Lumen Logic™ LogiSpot II Mini Spotlight



Project Name: _____
 Date: _____
 Location: _____
 Type: _____
 Model Number: _____
 Quantity: _____
 Prepared By: _____
 Comments: _____



Description

The Lumen Logic™ LogiSpot II Mini Spotlight is a professional grade, low-voltage up-light with an extra compact design. Constructed of durable, high-quality brass with an antique bronze finish. Includes an LED MR8 Bi-Pin bulb and mounting stake. Ideal for illumination on smaller landscape or architectural features, or other niche applications. Backed by a lifetime warranty.

Specifications

Materials

Construction	Cast Brass
Finish	Bronze
Lead Wire	4ft 18AWG
Lens	Flat Clear Glass
Mounting	6" PVC Stake

Photometrics

Light Source	Single Source MR8 Bulb
Light Output (Lumens)	175 Lumens
Color Temperature (CCT)	2700K
Color Rendering Index (CRI)	85
Lamp Life (L70)	40,000 Hours
Beam Angle	38°

Electrical

Energy Consumption (watts)	2.0 Watts
Power Factor	0.65
Operating Voltage Range	12-15 Volts
Power Supply	Low Voltage Transformer

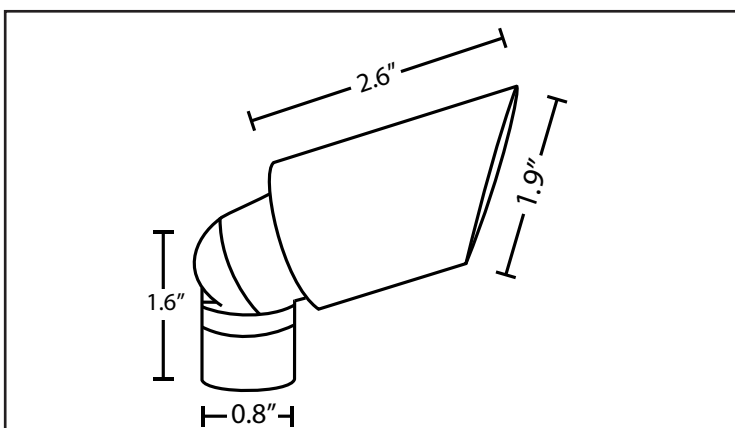
Installation

Orientation	Directed upwards only
-------------	-----------------------

Certifications

Certifications	UL & cUL listed
Warranty	Lifetime

Dimensions



Notes

1) Information provided is subject to change without notice. All values are design or typical values when measured under laboratory conditions.
 2) Incandescent Equivalent: The incandescent equivalent as presented is an approximate number and is for reference only.