

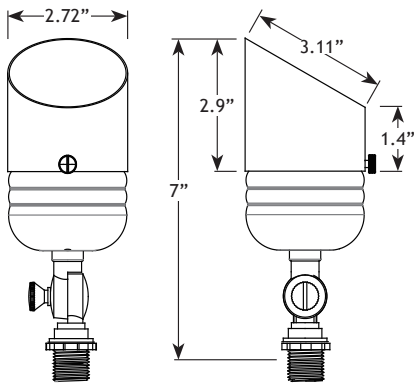


AMP® Low Voltage Landscape Lighting EcoPro Spotlight- AAL-1012-4-B-BZ

Product Description

The EcoPro is an affordable, yet professional grade fixture. The solid brass body, cast brass knuckle, and solid brass hardware make this fixture more corrosion free. Interlocking teeth allow for precision aiming and maximum lockability. This fixture can accommodate LED or halogen MR16 lamps. The EcoPro is a perfect uplighting solution for budget-focused projects that still demand professional-grade fixtures. Backed by our lifetime warranty.

Product Dimensions



Features & Benefits

- ▶ Sheet Brass Construction.
- ▶ Pre-aged finish; no powder coating, paint or finish to wear off or peel—just natural patina that does not corrode.
- ▶ Beryllium copper socket - more corrosion resistant than copper.
- ▶ Silicone plug at lead wire exit prevents ground moisture and insects from entering luminaire through the stem.
- ▶ Water Tight Silicone O-Ring - keeps water from entering luminaire.
- ▶ Extra-long (1-inch) strip resistant threading and solid brass locknut provide superior mounting stability.
- ▶ Glare guard and heavy duty adjustable knuckle - allows light to be positioned.

Specifications

- ▶ **Construction:** Brass
- ▶ **Finish:** Bronze or Black
- ▶ **Lead Wire:** 4' (standard) or 25' (optional) 18AWG
- ▶ **Mounting:** 10" Hammer® Stake with cutout for wire exit
- ▶ **Lens:** Clear Flat Glass
- ▶ **Light Source (not included):** MR16 (LED or Halogen)
- ▶ **Operating Voltage:** 12VAC
- ▶ **Powered by:** AMP's Low Voltage Transformer

Warranty

Lifetime Warranty

Certifications

