

PRODUCT SPECIFICATIONS

AMP[®]

Project Name _____ Date _____

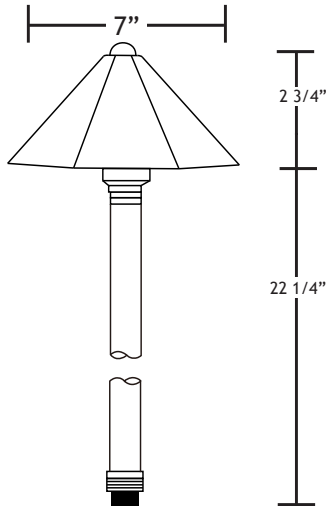
Type or Model _____ Qty _____

AMP[®] Low Voltage Landscape Lighting AMP[®] MarqueePro™ Path & Area Light (Integrated)

Product Description

The MarqueePro Path & Area Light is a commercial grade brass path light with a unique appearance. Its linear design is ideal for modern architecture styles - ideal for illuminating average sized areas such as sidewalks, patios, driveways. Featuring a 24" stem and a linear style hat, this luminaire projects a beam of illumination with a diameter of about 12 ft. With AMP's latest innovation, all classic brass path light styles are now available with an integrated LED stem option. The new stems feature field-serviceable integrated LED light sources - long lasting LEDs, easy to install and service when required. In addition to being optimized for convenient maintenance, the brass construction is designed for a lifetime or durability and beauty. Features corrosion-resistant finish and internal components - built for years of optimal performance and backed by AMP's Hassle-free Lifetime Warranty.

Product Dimensions



Warranty

Lifetime Warranty

Certifications



Specifications

- ▶ **Construction:** Brass
- ▶ **Finish:** Bronze
- ▶ **Lead Wire:** 18AWG
- ▶ **Mounting:** 10" Hammer™ stake with cutout for wire exit
- ▶ **Lens:** Clear
- ▶ **Light Source:** Integrated Replaceable Light Ring
- ▶ **Operating Voltage:** 12VAC
- ▶ **Powered By:** AMP[®] Low Voltage Transformers

Features & Benefits

- ▶ Solid cast brass construction.
- ▶ Pre-aged finish; no powder coating, paint or finish to wear off or peel - just natural patina that does not corrode.
- ▶ Stem is 1-inch thick and includes extra-long (1-inch) strip resistant threading for greater stability.
- ▶ Ceramic white paint under shade for maximum light reflection.
- ▶ Beryllium copper socket - more corrosion resistant than copper.
- ▶ Silicone plug at lead wire exit prevents ground moisture and insects from entering luminaire through stem.