



AMP® Low Voltage Landscape Lighting

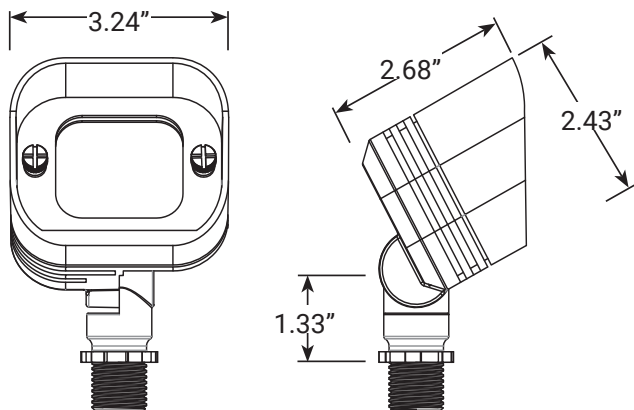
RGBCW ParamountPro LED Flood Light (Dimmable)

PRODUCT DESCRIPTION

Create a spectrum of colors or achieve various color temperatures (2200K – 4000K) for your clients with the integrated RGBCW LED ParamountPro Flood Light. Adding to the customization capabilities, clients can fine-tune their ambiance with dimming capabilities or tailor the light spread with the included diffusion and frosted lenses. The solid brass construction, pre-aged bronze finish, IP65 rating ensuring protection against dust and jetting water, and lifetime warranty guarantee that this fixture will withstand various weather conditions and maintain reliable performance for years to come.



PRODUCT DIMENSIONS



FEATURES & BENEFITS

- Cast Brass Construction.
- Pre-aged finish; no powder coating, paint or finish to wear off or peel—just natural patina that does not corrode.
- Strip resistant threading provides superior mounting stability.
- IP65 rating to withstand dust and powerful jetting water.
- Adjustable knuckle allows light to be precision-aimed.

SPECIFICATIONS

- **Construction:** Brass
- **Finish:** Bronze
- **Lead Wire:** 18AWG
- **Mounting:** 10” Hammer Stake
- **Lens:** Clear (pre-installed), Diffusion and Frosted provided
- **Light Source:** Integrated
- **Operating Voltage:** 12VAC
- **Powered by:** AMP’s Low Voltage Transformer
- **Power Consumption:** 10w
- **Lumens:**
 - **White (2700K)** - 375lm
 - **Red** - 100lm
 - **Green** - 315lm
 - **Blue** - 50lm

WARRANTY

Lifetime Warranty

CERTIFICATIONS



File #E466348



File #E466348