



# AMP® Landscape Lighting

## AMP® 120V Brass Flood Light with Knuckle- VFL-45XX-LI-BBZ (Constant Output)

### Product Description

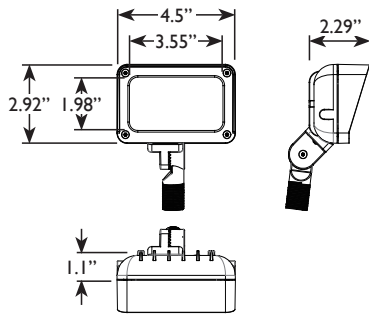
The industry's first brass series of commercial style 120V LED flood lights. Compared to traditional 120V aluminum flood lights, AMP®'s brass 120V flood lights allow for much slimmer body designs while still offering high lumen outputs and ultra-wide beam angles. The fixtures feature extra powerful, efficient integrated LED light sources. Ideal for expansive areas, large features, and up-lighting tree canopies. Super-durable solid brass constructions with beautiful bronze finish to blend into any landscape. Tempered glass lenses are fully sealed with long-life gaskets to provide a tight fit against moisture intrusion. Frosted lenses create balanced blending of light outputs and offer added glare protection.



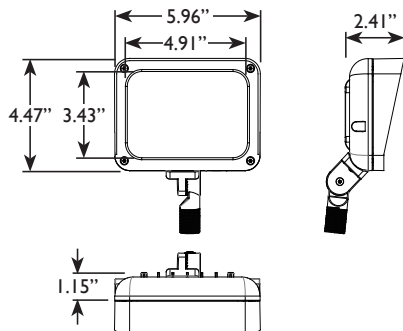
9W

17W

### Product Dimensions



120V, 9W



120V, 17W

### Features & Benefits

- ▶ Solid Brass Construction
- ▶ Pre-aged finish- a natural patina that does not corrode
- ▶ Tempered glass lens is fully gasketed, to provide a tight fit against moisture.
- ▶ Sleek Design with built in heat sink for better thermal management.
- ▶ Instant illumination.

### Specifications

- ▶ **Construction:** Brass
- ▶ **Finish:** Bronze
- ▶ **Mounting:** Knuckle Mount
- ▶ **Light Source:** Integrated LED
- ▶ **Operating Voltage:** 120VAC
- ▶ **Color Temperature:** 4000K
- ▶ **CRI:** >82
- ▶ **Lifetime:** 40,000 hours
- ▶ **Lumens:** 9W: 1000 lm, 17W: 2000 lm
- ▶ **Watts:** 9w, 17w

### Certifications



### Warranty

5 Year Warranty