



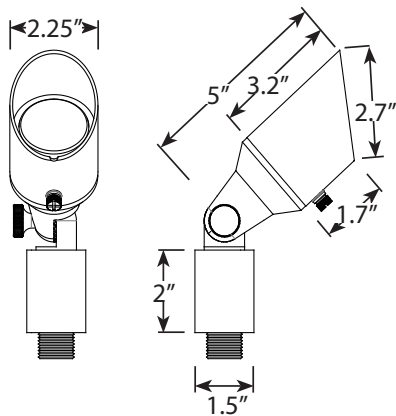
AMP® Low Voltage Landscape Lighting

AMP® (8) Spotlight Expansion Kit - **AMPSKIT-003**

PRODUCT DESCRIPTION

Professional landscape lighting expansion kit with extra convenient all-in-one packaging. Includes (8) cast brass, lamp-ready spotlights to add on to your existing setup. Ready-to-install system with minimal assembly required. Backed by AMP®'s Hassle-free Lifetime Warranty.

PRODUCT DIMENSIONS



SPECIFICATIONS

- Construction: Brass
- Finish: Bronze
- Lead Wire: 25' (optional) 18AWG
- Mounting: 10" Hammer® Stake with cutout for wire exit
- Lens: Clear Flat Glass
- Light Source: MR16
- Power: 5W
- Color Temperature: 2700K
- Beam Angle: 38°
- Operating Voltage: 12VAC
- Powered by: AMP's Low Voltage Transformer

FEATURES & BENEFITS

- Cast Brass Construction.
- Pre-aged finish; no powder coating, paint or finish to wear off or peel—just natural patina that does not corrode.
- Beryllium copper socket – more corrosion resistant than copper.
- Silicone plug at lead wire exit prevents ground moisture and insects from entering luminaire through the stem.
- Water Tight Silicone O-Ring - keeps water from entering luminaire.
- Extra-long (1-inch) strip resistant threading and solid brass locknut provide superior mounting stability.
- Glare guard and heavy duty adjustable knuckle - allows light to be positioned.

WARRANTY

Lifetime Warranty

CERTIFICATIONS



Max 30 Watts
File #E466348



Max 30 Watts
File #E466348