

## PRODUCT SPECIFICATIONS

# AMP<sup>®</sup>

Project Name \_\_\_\_\_ Date \_\_\_\_\_

Type or Model \_\_\_\_\_ Qty \_\_\_\_\_

## AMP<sup>®</sup> Low Voltage Landscape Lighting

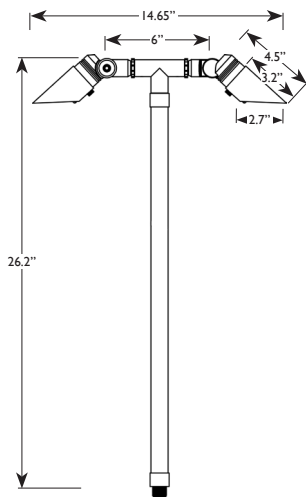
### AMP<sup>®</sup> Dual Mini PinnaclePro Path Light (Lamp Ready)

#### Product Description

The AMP<sup>®</sup> Dual Mini PinnaclePro path light offers the most adjustability and versatility of any path light we offer. With Mini PinnaclePro fixtures; each with the ability to rotate 360 degrees on one axis and 180 degrees on the other, you can get very creative in your lighting efforts with the Dual Mini PinnaclePro. Sitting at just over 26" high. This fixture is great for large path areas that may also require precision. With area lights, you cover a wide area, but have virtually no adjustability. With the Dual Mini PinnaclePro Path Light, you get the best of both worlds!



#### Product Dimensions



#### Specifications

- **Construction:** Cast Brass
- **Finish:** Bronze
- **Lead Wire:** 16AWG
- **Glass or Lens:** Clear Protective Glass
- **Light Source (Sold Separately):** 2x MR11 bulbs
- **Maximum Lamp Rating:** 20W
- **Operating Voltage:** 12V AC
- **Powered by:** AMP's Low Voltage Transformer

#### Warranty

Lifetime Warranty

#### Features & Benefits

- Solid Brass
- Pre-aged finish- a natural patina that does not corrode
- Beryllium copper socket - more corrosion resistant than copper
- Silicone plug at lead wire exit prevents ground moisture and insects from entering luminaire through the stem
- Pressure-fit rubber gasket for a moisture tight design

#### Certifications

