



AMP® Low Voltage Landscape Lighting

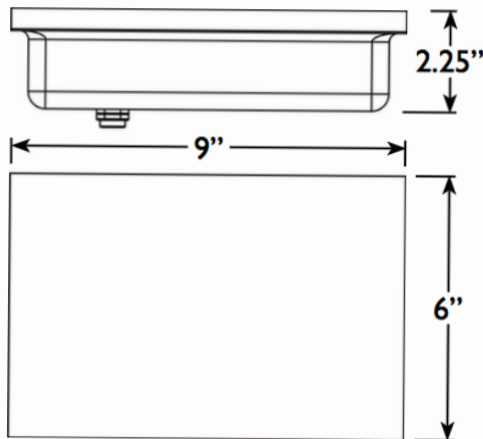
AMP® FoundationPro Paver Light

Product Description

The FoundationPro Paver Light is AMP's newest fixture designed to replace a paver in an existing project, or take the place of one in a new installation. The fixture is a stainless steel body with a solid glass top. At 6" x 9" these fixtures are large and made to withstand the same amount of weight a traditional paver can hold. Running these over with a vehicle is no issue whatsoever. These luminaires are made to be guiding lights to help you see the drive or walkway at night. Rather than producing a lot of light directionally, these FoundationPro Paver Lights have a bright inner glow that keeps you within the lines while protecting from direct glare. With a cooler color temperature, these fixtures aren't overbearing and really complement any moonlighting you may already have or plan to install in the future. The FoundationPro is the paver fixture to suit any of your guide lighting needs!



Product Dimensions



Specifications

- ▶ **Construction:** Stainless steel body with a glass top
- ▶ **Finish:** Frosted glass lens
- ▶ **Lead Wire:** 3' of 16AWG, SPT-2
- ▶ **Mounting:** Direct mounted- takes the place of a 6"x 9" paver
- ▶ **Light Source:** Integrated LED light source
- ▶ **Operating Voltage:** 12V AC
- ▶ **Powered by:** AMP's Low Voltage Transformer
- ▶ **Color Temperature:** 3500K light sources
- ▶ **Output:** 60 Lumens

Warranty

5 Year Warranty

Features & Benefits

- ▶ Large size to fit most paver applications
- ▶ Frosted glass protects from direct glare from LEDs
- ▶ Silicone gasketed top that keeps out moisture
- ▶ Potted LEDs inside to prevent any ground moisture from affecting the LEDs
- ▶ Stainless steel body to avoid fixture corrosion