

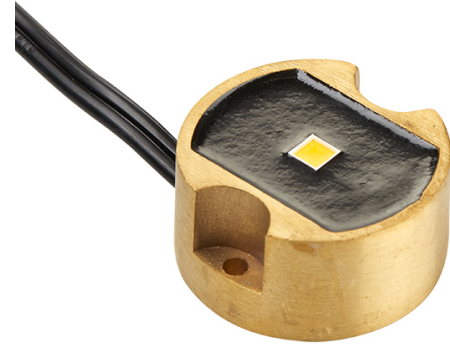


VOLT® Low Voltage Lighting

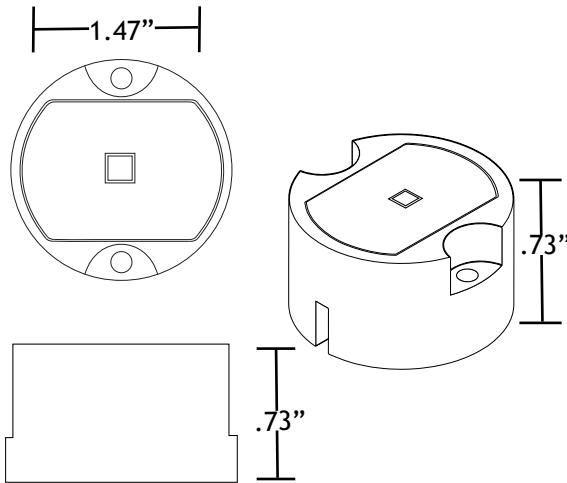
VOLT® Hardscape Puck Light Plus- VHS-6704-X-BRB

Product Description

The VOLT® Hardscape Puck Light Plus is an extremely compact professional-quality fixture ideal for a variety of niche applications. It consists of a round brass disc with a Cree® LED and VOLT®-engineered driver embedded in waterproof epoxy. Simple to install; this low voltage outdoor puck light can be mounted under benches, shelves, eaves, gazebos, arbors, porch ceilings, and any location that requires a small discreet light source. The Plus model packs a huge punch from such a small footprint at 300 lumens! With an estimated life of 40,000 hours and extremely low energy consumption (W); this solid brass LED light is an energy-efficient lighting powerhouse. Comes with a lifetime warranty.



Product Dimensions



Specifications

- ▶ Construction: Brass
- ▶ Finish: Raw Brass
- ▶ Lead Wire: 18AWG
- ▶ Mounting: 2 screw holes (hardware not included)
- ▶ Light Source: Integrated LED
- ▶ Color Temperature: 2700K
- ▶ CRI: 80+
- ▶ Operating Voltage: 6-18 VAC, with decreased lumens under 9V
- ▶ Wattage: 3W
- ▶ Lumens: 300
- ▶ Lumen Maintenance: 60,000 hours L70
- ▶ Powered by: VOLT® Low Voltage Transformers

Features & Benefits

- ▶ Solid Brass Construction
- ▶ High quality CREE® LED with VOLT® engineered driver
- ▶ Embedded in water resistant epoxy
- ▶ Low profile for discreet mounting

Warranty

Residential: Lifetime Warranty
Commercial: 10-Year Warranty

Certifications



File #E466348



File #E466348

NOTE

**FIXTURE MUST BE MOUNTED IN AN
INVERTED POSITION - FACING DOWNWARD**

Specifications subject to change without notice.

© Copyright 2019, VOLT® Lighting, Lutz, FL USA 33549 • All rights reserved • 813.978.3700

www.voltlighting.com