

INSTALLATION INSTRUCTIONS



VOLT® Solar Landscape Lighting

VOLT® Solar Motion Sensor

VAC-MOTION1-4-BBZ

Help Hotline:

1-813-978-3700 • Mon-Fri 8am-8pm • Sat-Sun 10am - 6pm (EST)

Specifications and product details subject to change without notice.
© Copyright 2020, VOLT® Lighting, Lutz FL USA 33549 • All rights reserved.
customersupport@voltlighting.com • 813.978.3700

INSTALLATION INSTRUCTIONS



VOLT® Solar Motion Sensor
VAC-MOTION1-4-BBZ

This luminaire is intended for installation in accordance with local codes and the National Electric Code (NEC). Failure to adhere to these codes and instructions may result in serious injury, property damage and void the warranty.

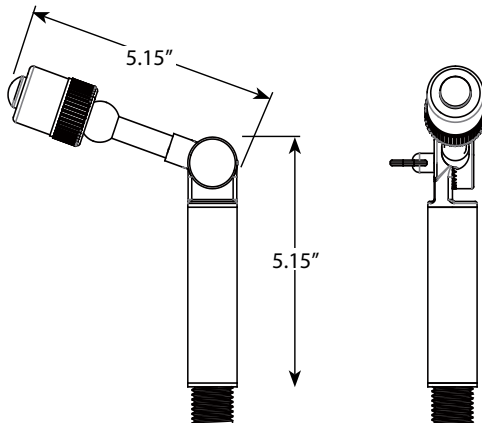
These instructions do not intend to cover all variations in installation, operation maintenance or mounting situations.

1. Make sure that the power is turned OFF before installing or servicing this fixture.
2. Warning: risk of electrical shock. Install all luminaires 10 feet (3.05M) or more from pool, spa or fountain.
3. This fixture is intended to be used only with a power supply (transformer) rated maximum of 50 watts.
4. Underground Low Energy Cable must not be buried over 6" (15.2 cm) in order to connect to the main low voltage cable.
5. Wiring connections must be made with UL listed wire connectors that are suitable for outdoor use.
6. Position the wire connector so that it is located within 6 inches (15.2 cm) from a building structure, a luminaire, or fitting.

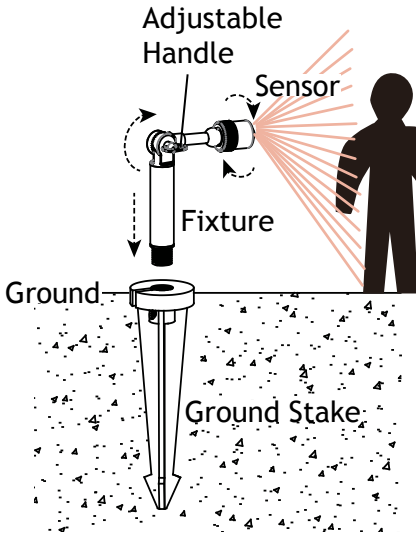
Package Contents

- A. (1) Motion Sensor

Product Dimensions



1 Install Motion Sensor

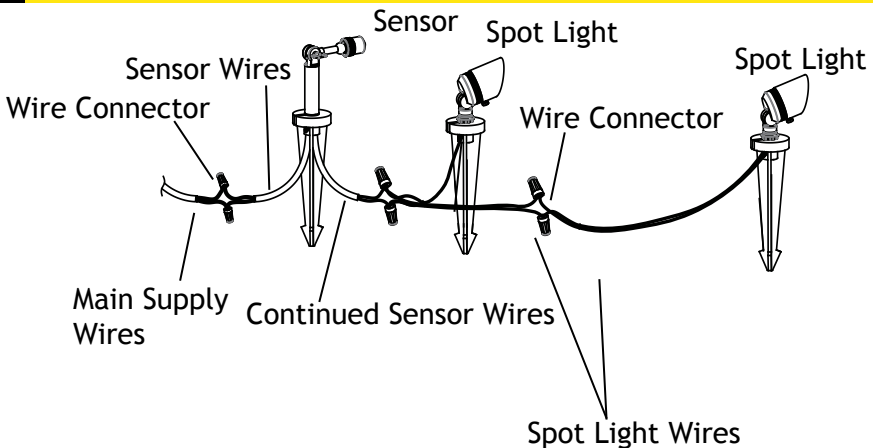


Thread the fixture on to the ground stake. The sensor can rotate 360 degrees to make it easy to face the direction that needs to be monitored. You can also adjust the sensor handle to help face the sensor in the proper direction.

The lights will illuminate for 15 seconds after the sensor trips. The sensor distance is 23ft with 120° detection angle.

NOTE: The wire labeled "IN" is attached to the main supply wire. The "OUT" goes to the continuation wire, fixture wire or hub.

2 Option A: A Daisy Chain



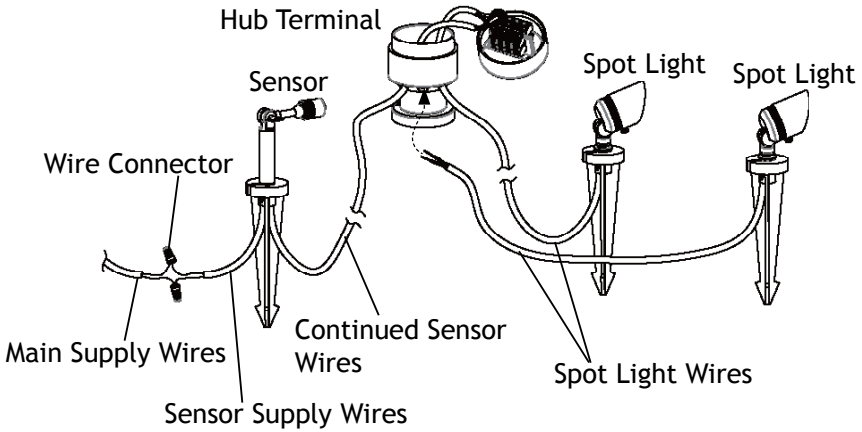
Strip the continued sensor wires and spot light wires. Using wire connectors (sold separately), connect the wires from the sensor to the spot light wires. Do not exceed 50w for a single motion sensor or the max run length of 100 feet.

Strip the main supply and sensor wires. Using wire connectors (sold separately), connect the wires from the sensor to the main supply wires.

NOTE: Any lights connected after the motion sensor will be controlled by the motion sensor. Any lights connected before the sensor are controlled by the transformer.



3 Option B: Wire Connection By Using Connection Hub

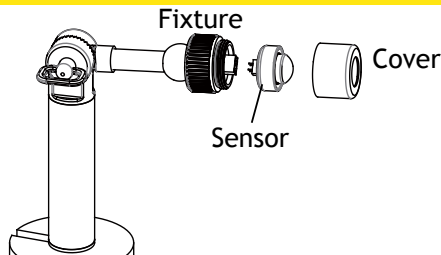


Strip the continued sensor wires and spot light wires. Insert the set of wires into the hub terminals. Do not exceed 50w for a single motion sensor or the max run length of 100 feet.

Strip the main supply wires and the sensor supply wires. Using wire connectors (sold separately), connect the wires from the sensor to the main supply wires.

NOTE: Any lights connected after the motion sensor will be controlled by the motion sensor. Any lights connected before the sensor are controlled by the transformer.

4 Replace Sensor



Remove the cover and old sensor, then install the new sensor. Install the cover back after replacing the sensor ensuring the gasket is sealed properly.