

STORM Series

STORM 4 - 450W

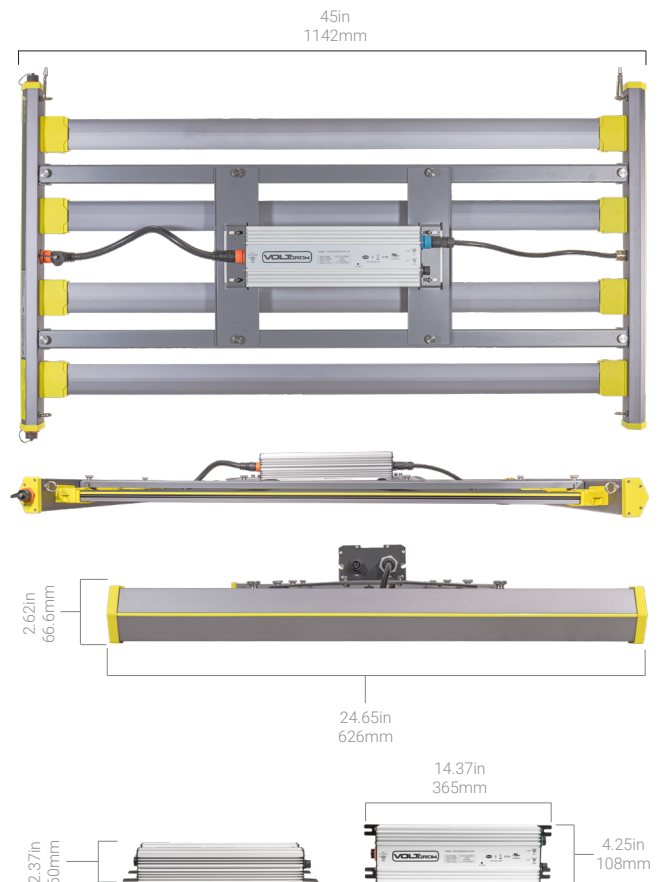
A high light intensity top light designed to maximize yield and reduce waste in indoor grow rooms. The Storm Series uses a modular design with removable light bars and driver to allow for easy set-up, testing, and servicing while maintaining an IP66 rating.

Each LED bar can be individually rotated up to 30 degrees in either direction allowing growers to focus the light where it matters most and reduce waste. It's low-profile design with a height of 2.6" when remote mounting the driver make it an excellent option for multi-tiered grow operations. With multiple wiring configurations and the ability to daisy chain multiple lights together, set-up and cable management has never been easier.

Gain even more control of light distribution and increase light density further by using our optional reflectors which attach to each bar individually.

DIMENSIONS

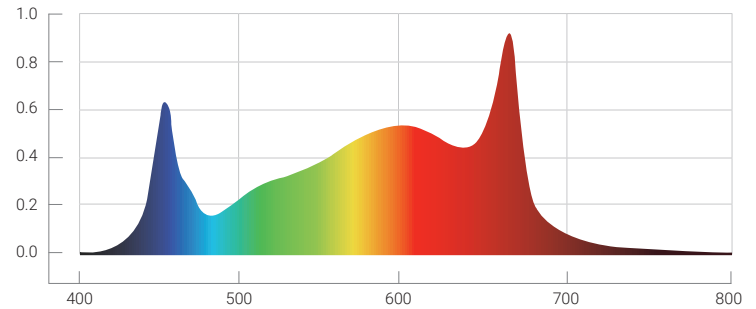
	FIXTURE	DRIVER
Length	45" (1142mm)	14.37" (365mm)
Width	24.65" (626mm)	4.25" (108mm)
Height	2.62" (66.6mm)	2.37" (60mm)
Weight	14.4 lbs (6.56kg)	8.1 lbs (3.68kg)



LIGHT BAR SPECIFICATIONS

INPUT VOLTAGE	120VAC	240VAC	277VAC	347VAC	400VAC	480VAC
PPE (μmol / J)	2.77	2.82	2.84	2.82	2.81	2.81
PPF (μmol / s)	1289	1281	1281	1289	1282	1280
Input Power	464W	453W	451W	457W	456W	455W

SPECTRUM GRAPH



SPECIFICATIONS

Light Distribution	122°	IP Rating	IP66
Dimming Range	0-10V, <10-100%, Dim to Off	Lifetime L90	50,000 Hours+
Power Factor	≥ 95%	Certifications	UL8800, ETL, DLC 2.1
Total Harmonic Distortion (THD)	<15%	Warranty	5 Years
Cooling	Passive	Included Mounted Options	Wire Harness & Rope Pullies
Max Ambient Operating Temperature	40°C/104°F		

PRODUCT PARTS

PART SKU	DESCRIPTION
VGL-BAR1-4PK	4 LED Bars, Full Spectrum, 2.8PPPE
VGL1-440-L-DH	440W 120/277V Driver Housing Assembly with end pipes
VGL1-440-H-DH	440W 347/480V Driver Housing Assembly with end pipes
VGAC-CAB-AC-120	1.5m 14AWG AC INPUT cable with 120v plug (FOR VGL1, VGL2, VGL3) and M19 connector
VGAC-CAB-AC-240	1.5m 14AWG AC INPUT cable with 240v plug (FOR VGL1, VGL2, VGL3) and M19 connector
VGAC-CAB-AC-347	1.5m 14AWG AC INPUT cable with 347v plug (FOR VGL1, VGL2, VGL3) and M19 connector
VGAC-CAB-AC-BW	1.5m 14AWG AC INPUT cable without plug/bare wire (FOR VGL1, VGL2, VGL3) and M19 connector

ACCESSORIES

PART SKU	DESCRIPTION
VGAC-RFL-4	Reflector, 4pcs for VGL1
VGAC-CAB-DC-1	1m DC cable with plug
VGAC-CAB	Jump cable - 0.4m, 14awg both side with M19 female plug