

## PRODUCT SPECIFICATIONS

# AMP<sup>®</sup>

Project Name \_\_\_\_\_ Date \_\_\_\_\_

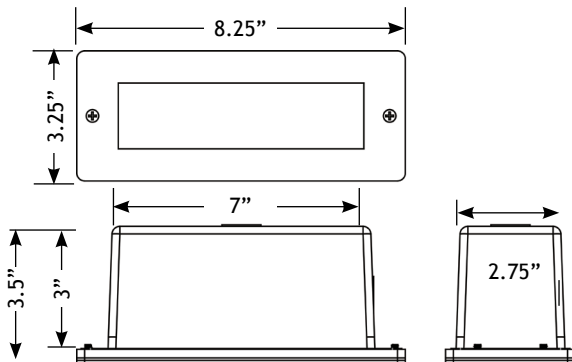
Type or Model \_\_\_\_\_ Qty \_\_\_\_\_

## AMP<sup>®</sup> Low Voltage Landscape Lighting InfusePro Step Light- ASL-601X-4-B-BZ

### Product Description

The InfusePro Step Lights are rated for in-grade concrete pour applications! Everything is cast brass including the back box! 99% of other manufactures use a folded sheet metal box (like an indoor electrical box--they leak and are not water proof). These step lights are not only a heavy weight, but are completely sealed and water tight. With a rubber seal around lead wire exit, pressure fit rubber gaskets around and openings, and copper wiring; these fixtures are simply the best! Step lights are great when you need general area illumination out of a recessed wall fixture. They are often used in commercial applications to illuminate handicap ramps and walkways next to stone walls, retaining walls and nooks around outdoor kitchens.

### Product Dimensions



### Features & Benefits

- ▶ Solid cast brass faceplate
- ▶ Corrosion resistant non-metallic canister
- ▶ Pre-aged finish- a natural patina that does not corrode
- ▶ Silicone plug at lead wire exit prevents ground moisture and insects from entering luminaire through the stem
- ▶ Beryllium copper socket - more corrosion resistant than copper
- ▶ Completely water tight; pressure fit rubber gasket and rubber seal around wire exit
- ▶ Clear lens for increased illumination
- ▶ Lens flush with fixture so water cannot puddle



### Specifications

- ▶ Construction: Cast Brass
- ▶ Finish: Bronze
- ▶ Lead Wire: 16AWG
- ▶ Glass or Lens: Clear lens
- ▶ Light Source (Sold Separately): Bipin (LED or Halogen)
- ▶ Operating Voltage: 12VAC
- ▶ Powered by: AMP's Low Voltage Transformer

### Warranty

Lifetime Warranty

### Certifications

