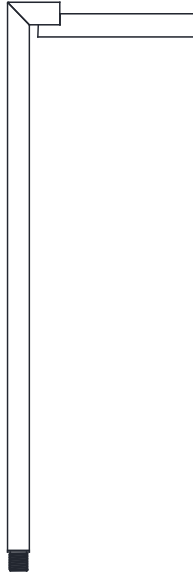


VOLT®



INSTALLATION INSTRUCTIONS

VOLT® LOW VOLTAGE LANDSCAPE LIGHTING

VOLT® Modernelle Flat Top Brass Path Light (Bronze)

ITEM: VAL-1052-BBZ

1-813-978-3700 • Mon-Fri 8am-8pm • Sat-Sun 10am - 6pm (EST)

**IMPORTANT: PLEASE READ BEFORE INSTALLATION**

This luminaire is intended for installation in accordance with local codes and the National Electric Code (NEC). Failure to adhere to these codes and instructions may result in serious injury, property damage and void the warranty.

These instructions do not intend to cover all variations in installation, operation maintenance or mounting situations.

1. Make sure that the power is turned OFF before installing or servicing this luminaire.
2. **WARNING:** risk of electrical shock. Install all luminaires 10 feet (3.05M) or more from pool, spa or fountain.
3. This luminaire is intended to be used only with a power supply (transformer) rated maximum of 300 watts (25 AMPS) at 15 volts.
4. Wiring connections must be made with UL listed wire connectors that are suitable for outdoor use.
5. Position the low voltage wire and wire connector so that it is located within 6 inches (15.2 cm) from a building structure, a luminaire or fitting.
6. The main low voltage cable is intended for shallow burial - less than 6 inches (152 mm).

**IMPORTANT SAFETY INSTRUCTIONS****INSTRUCTIONS PERTAINING TO A RISK OF FIRE, OR INJURY TO PERSONS****Lighted lamp is HOT!**

WARNING – TO REDUCE THE RISK OF FIRE OR INJURY TO PERSONS.

1. Turn off/unplug and allow to cool before replacing lamp.
2. Lamp gets **HOT** quickly! Contact only switch/plug when turning on.
3. Do not touch the hot lens, guard or enclosure.
4. Keep lamp away from materials that may burn.
5. Do not touch lamp at any time. Use a soft cloth. Oil from skin may damage lamp.
6. Do not operate the luminaire fitting with a missing or damaged shield.

SAVE THESE INSTRUCTIONS

PACKAGE CONTENTS

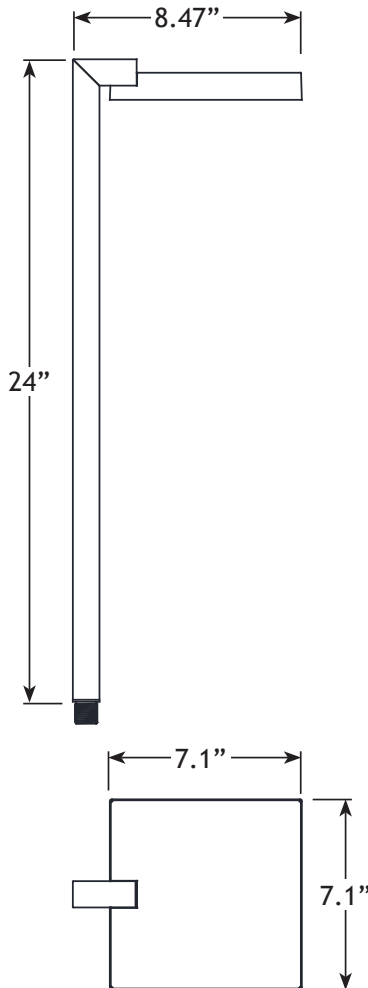
A. (1) Fixture Body

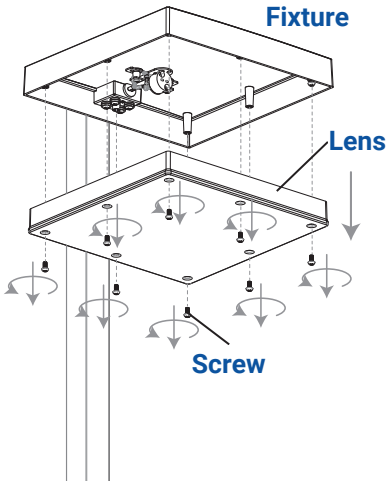
Parts Required (Sold Separately)

A. (1) G4 Bulb

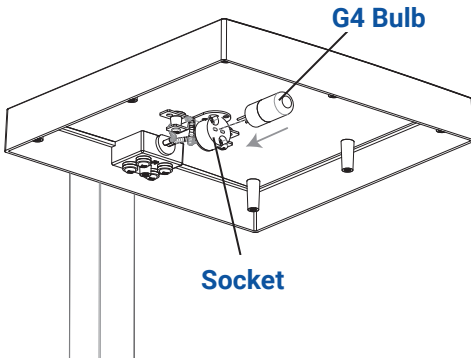
B. Mounting Accessory

PRODUCT DIMENSIONS



1 REMOVE LENS

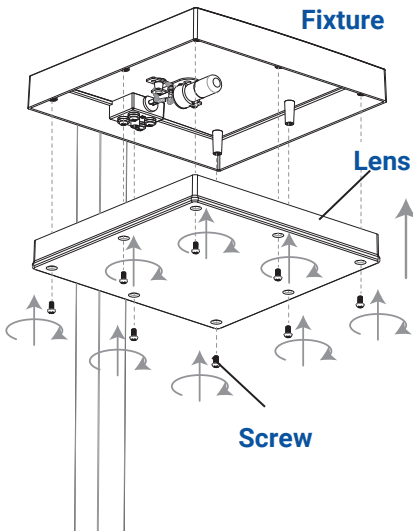
Remove the lens from the fixture.

2 Install G4 Bulb

Insert G4 bulb with correct wattage and type marked on fixture label.

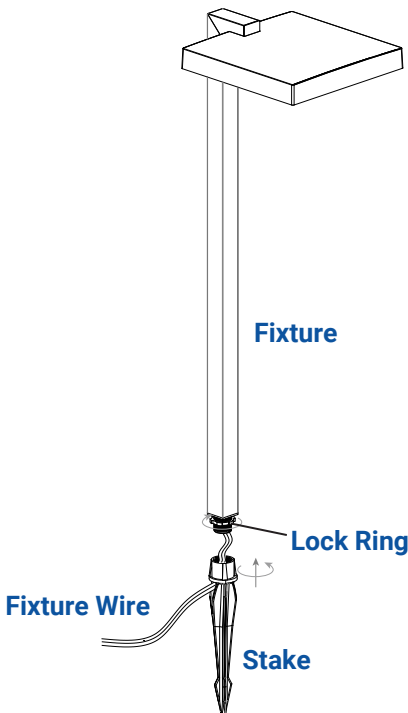
CAUTION: Do not exceed maximum wattage marked on luminaire label.

3 Install Lens

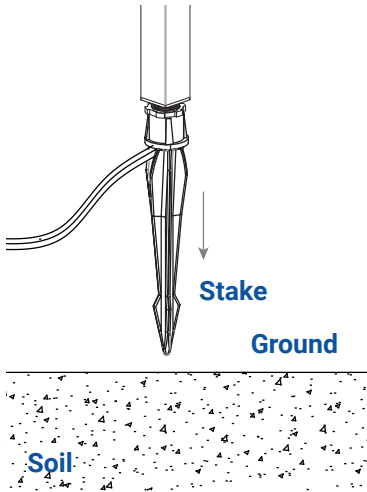


Place the lens back onto the fixture and secure with previously removed screws.

4 Install Lamp Body to Stake

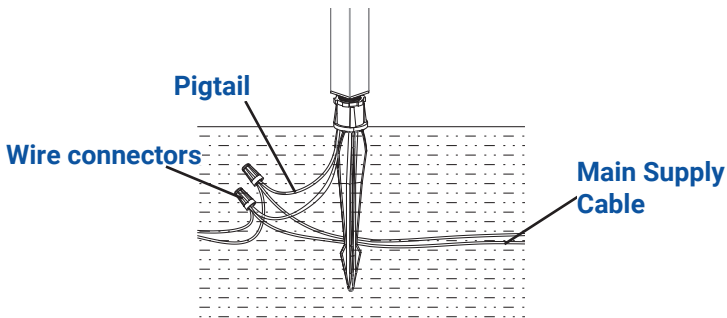


Pass the fixture wire through the stake and thread the stake onto the fixture. Thread the lock ring against the stake and hand tighten until snug.

5 INSTALL STAKE

Determine the desired location for mounting the fixture. Insert the stake into the ground until flange of stake is flush to grade.

NOTE: If the ground is hard and the stake is difficult to install, make a crosscut in the ground using a flat shovel.

6 WIRE CONNECTION

Strip both the leads from the luminaire pigtail. Using two UL listed wire connectors (sold separately), connect the leads from the luminaire to the main supply cable leads.

INSTALL REPLACE BULB

Please reverse Step 2 - Step 3 to expose the G4 bulb and replace it with the correct wattage and type marked on the fixture label. Then, reinstall the shade.

IMPORTANT: The G4 bulb must be protected from moisture and dust at all times. Always reinstall the shade when moved.



1-813-978-3700 • Mon-Fri 8am-8pm • Sat-Sun 10am - 6pm (EST)

Specifications and product details subject to change without notice.
© Copyright 2023, VOLT® Lighting, Lutz FL USA 33549 • All rights reserved.
customersupport@voltlighting.com • www.voltlighting.com