

INSTALLATION INSTRUCTIONS



VOLT® Low Voltage Landscape Lighting
VOLT® Estate Size Path & Area Lights
3601 Series

Help Hotline:

1-813-978-3700 • Mon-Fri 8am-8pm • Sat-Sun 10am - 6pm (EST)

Specifications and product details subject to change without notice.
© Copyright 2019, VOLT® Lighting, Lutz FL USA 33549 • All rights reserved.
customersupport@voltlighting.com • 813.978.3700



Important: Please Read Before Installation

This fixture is intended for installation in accordance with local codes and the National Electric Code (NEC). Failure to adhere to these codes and instructions may result in serious injury, property damage and void the warranty.

These instructions do not intend to cover all variations in installation, operation maintenance or mounting situations.

1. Make sure that the power is turned OFF before installing or servicing this fixture.
2. Warning: this fixture is not intended to be installed within 10 feet [3 meters] of a pool, spa or fountain.
3. This fixture is intended to be used only with a power supply (transformer) rated maximum of 300 watts (25 AMPS) at 15 volts.
4. Underground Low Energy Cable must not be buried over 6" (15.2 cm) in order to connect to the main low voltage cable.
5. Wiring connections must be made with UL listed wire connectors that are suitable for outdoor use.
6. Position the wire connector so that it is located within 6 inches (15.2 cm) from a building structure, a luminaire, or fitting.

Important Safety Instructions

LIGHTED LAMP IS HOT!

WARNING - TO REDUCE THE RISK OF FIRE OR INJURY TO PERSONS.

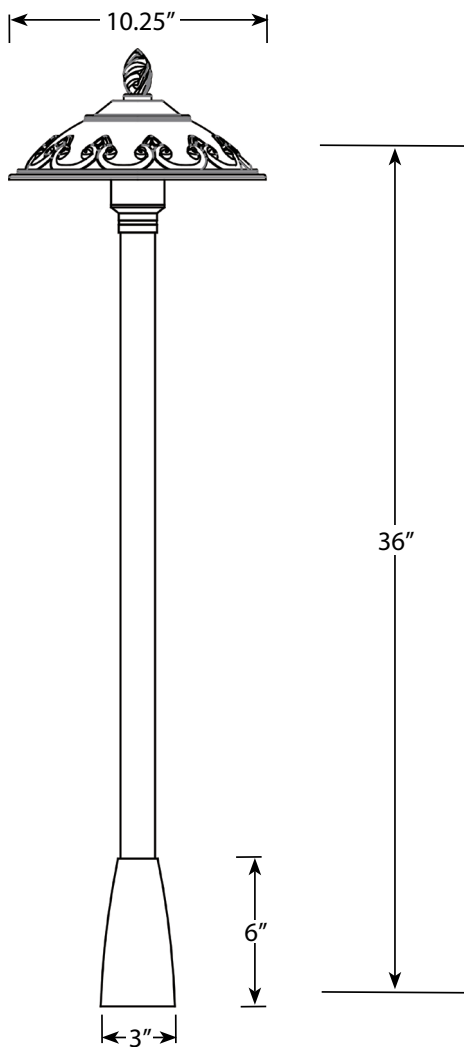
1. Turn off/unplug and allow to cool before reducing lamp.
2. Lamp gets HOT quickly!
3. Do not touch the hot lens, guard or cowl.
4. Keep lamp away from materials that may burn.
5. Do not touch lamp at any time.
6. Use a soft cloth.
7. Oil from skin may damage lamp.
8. Do not operate the fixture with a damaged or missing lens or shield.

Package Contents

A. (1) Fixture Body

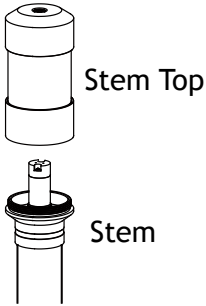
Product Dimensions

*Estate Size Hat featured
on Estate Size Low
Voltage Stem*



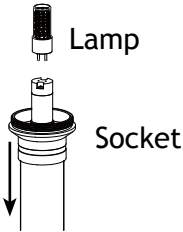


1 Remove Stem Top



Loosen the stem top and remove it from the top end of the stem.

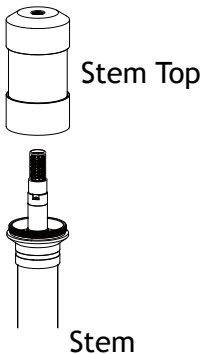
2 Install Lamp



Insert the lamp with the correct wattage and type marked on the fixture label and push firmly into place.

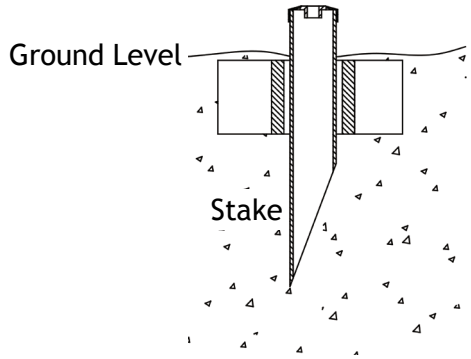
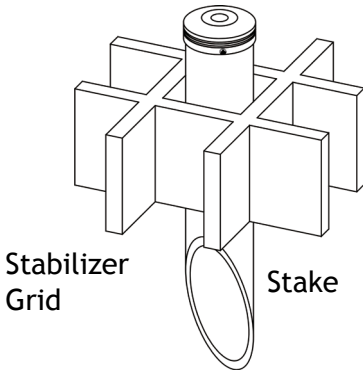
CAUTION: Do not exceed maximum wattage marked on luminaire label.

3 Install Stem Top



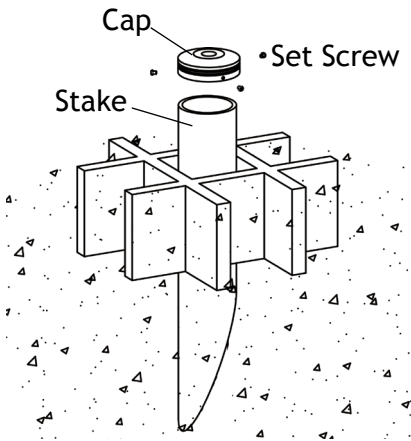
Thread the stem top onto the stem and hand tighten until snug.

4 Install Stake



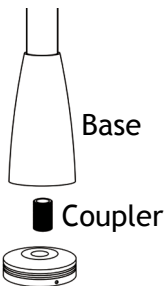
Dig a hole in the ground for the stake. Slide the stabilizer grid onto the stake and secure with the screws. Place the stake and backfill against the mounting stake.

5 Remove Cap from Stake



Remove the cap from the stake by loosening the set screws.

6 Install Cap to Base

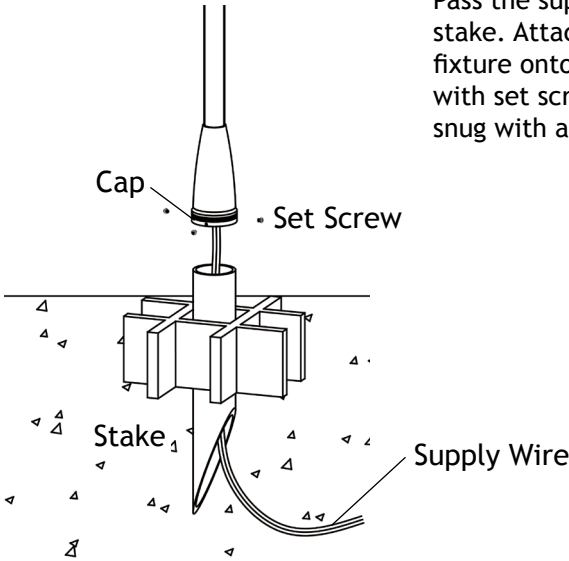


Screw the coupler on the bottom center of the base and then thread the cap onto the coupler.

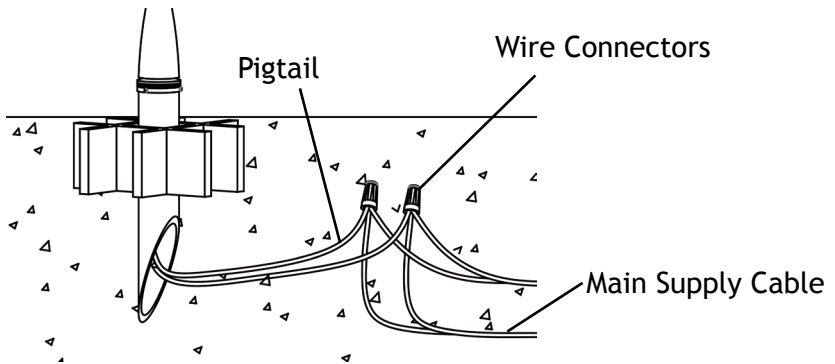


7 Fixture Installation

Pass the supply wires through the stake. Attach the cap with the fixture onto the stake and secure with set screws. Hand tighten until snug with a screwdriver.

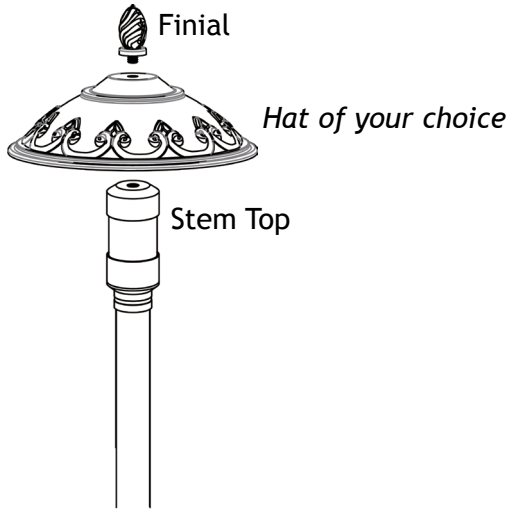


8 Wire Connection



Strip both leads from the luminaire pigtail. Using two wire connectors (sold separately), connect the leads from the luminaire to the main supply cable leads.

9 Install Hat



Place the hat of your choice onto the stem top and secure it with the finial, or thread the hat of your choice onto the stem top directly. Hand tighten until snug.

Install/Replace Lamp

Remove the finial, hat and stem top to expose the lamp and replace it with the correct wattage and type marked on the fixture label. Then, reinstall the stem top, hat and finial.

IMPORTANT: Lamps must be protected from moisture and dust at all times. Always reinstall the stem top and hat when removed.



Help Hotline:

1-813-978-3700 • Mon-Fri 8am-8pm • Sat-Sun 10am - 6pm (EST)

www.voltlighting.com

Specifications and product details subject to change without notice.
© Copyright 2019, VOLT® Lighting, Lutz FL USA 33549 • All rights reserved.
customersupport@voltlighting.com • 813.978.3700

is-3601series-ver8.pdf