

INSTALLATION & MAINTENANCE GUIDE

AMP[®] Lighting

AMP[®] Low Voltage Landscape Lighting

AMP[®] TorrentPro Rotatable Hardscape

AHS-7006-X-B-BZ

Help Hotline:

1-813-978-3900 • Mon-Fri 9am-6pm (EST)

www.amplighting.com



! Important Safety Instructions: Read Before Installation

This luminaire is intended for installation in accordance with local codes and the National Electric Code (NEC). Failure to adhere to these codes and instructions may result in serious injury, property damage and void the warranty.

These instructions do not intend to cover all variations in installation, operation maintenance or mounting situations.

1. Make sure the power is turned OFF before installing or servicing this luminaire.
2. **WARNING:** risk of electrical shock. Install all luminaires 10 feet (3.05M) or more from pool, spa or fountain.
3. This luminaire is intended to be used only with a power supply (transformer) rated maximum of 300 watts (25 AMPS) at 15 volts.
4. Wiring connections must be made with UL listed wire connectors that are suitable for outdoor use.
5. Position the low voltage wire and wire connector so that it is located within 6 inches (15.2 cm) from a building structure, a luminaire or fitting.
6. The main low voltage cable is intended for shallow burial - less than 6 inches (152 mm).
7. If additional lengths of low voltage cable are required, please contact www.amplighting.com or call 1-813-978-3900.

! Important Safety Instructions

INSTRUCTIONS PERTAINING TO A RISK OF FIRE, OR INJURY TO PERSONS

Lighted lamp is HOT!

WARNING - To reduce the risk of FIRE OR INJURY TO PERSONS.

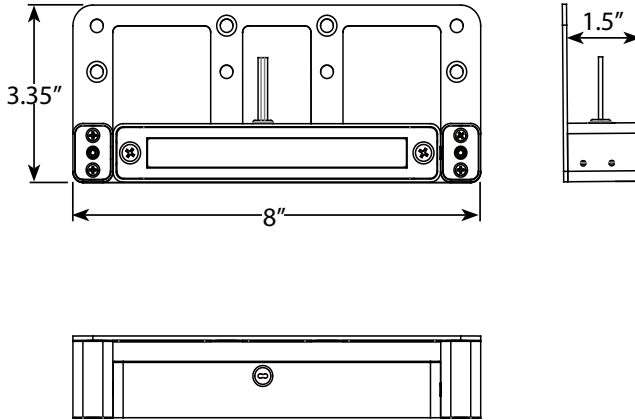
1. Turn off/unplug and allow to cool before replacing lamp.
2. Lamp gets HOT quickly! Contact only switch/plug when turning on.
3. Do not touch the hot lens, guard or enclosure.
4. Keep lamp away from materials that may burn.
5. Do not touch lamp at any time. Use a soft cloth. Oil from skin may damage lamp.
6. Do not operate the luminaire fitting with a missing or damaged shield.

SAVE THESE INSTRUCTIONS

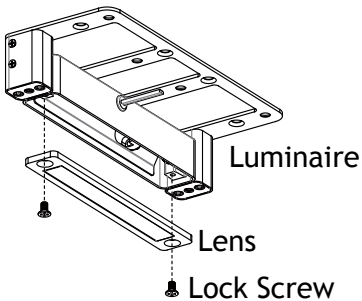
Package Contents

A. (1) Fixture Body

Product Dimensions



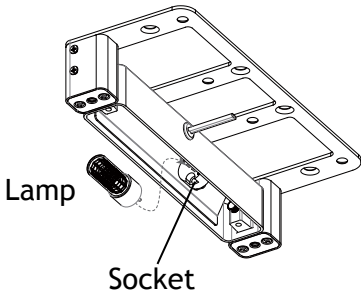
1 Remove Lens



Remove the lens from the luminaire by loosening the lock screws.

AMP[®] AMP[®] TorrentPro Rotatable Hardscape AHS-7006-X-B-BZ

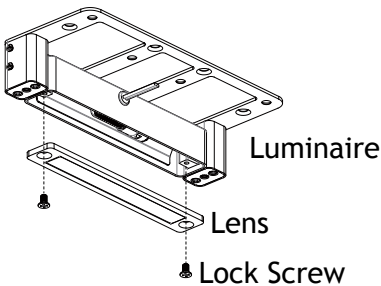
2 Install Lamp



Insert lamp with the correct wattage and type marked on the fixture label and push firmly into place.

CAUTION: Do not exceed maximum wattage marked on luminaire label.

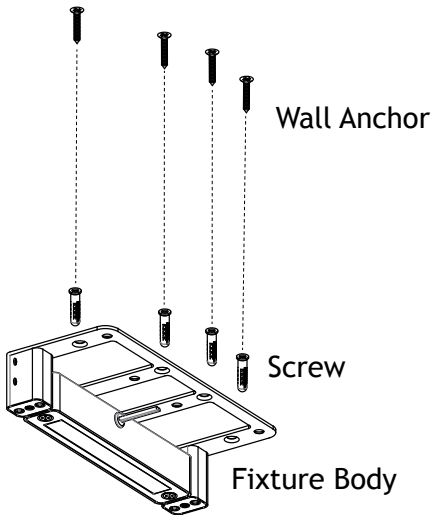
3 Install Lens



Install the lens back onto the luminaire and tighten with previously removed lock screws.

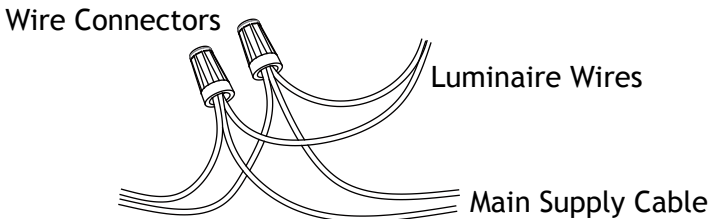
AMP[®] AMP[®] TorrentPro Rotatable Hardscape AHS-7006-X-B-BZ

4 Install Fixture to Mounting Surface



Place the fixture body onto the desired location. Mark four points on the mounting surface using the holes of the mount as a guide. Set the fixture aside and drill the proper holes where you placed the marks then insert the wall anchors into the drilled holes. Place the fixture onto the surface and secure with screws using a screwdriver.

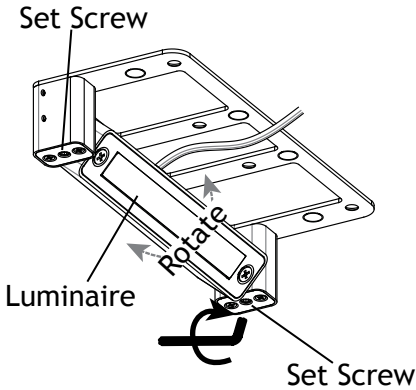
5 Wire Connection



Strip both leads from the luminaire pigtail. Using two wire connectors (sold separately), connect the leads from the luminaire to the main supply cable leads.



6 Adjust Luminaire Direction



Using an Allen Key, loosen the set screws on the side of the fixture to rotate the luminaire to your desired direction by hand. Once you have the desired angle, tighten down the set screws with the Allen Key.

Product Dimensions

Remove the lens to expose the lamp and replace it with the correct wattage and type marked on the fixture label. Then, reinstall the lens.

IMPORTANT: Lamps must be protected from moisture and dust at all times. Always reinstall the lens when removed.

AMP[®] Lighting

Help Hotline:

1-813-978-3900 • Mon-Fri 9am-6pm (EST)

Specifications and product details subject to change without notice.
© Copyright 2019, AMP[®] Lighting, Lutz FL USA 33549 • All rights reserved.
customersupport@amplighting.com • 813.978.3900

www.amplighting.com

IS-AHS-7006-X-B-BZ-ver1.pdf