

## INSTALLATION & MAINTENANCE GUIDE

**AMP**<sup>®</sup> Lighting

AMP<sup>®</sup> Low Voltage Landscape Lighting  
In-Grade Well Light  
AWL-55xx and VWL-55xx Series

Help Hotline:

1-813-978-3900 • Mon-Fri 9am-6pm (EST)

[www.amplighting.com](http://www.amplighting.com)

**Important Safety Instructions: Read Before Installation**

This luminaire is intended for installation in accordance with local codes and the National Electric Code (NEC). Failure to adhere to these codes and instructions may result in serious injury, property damage and void the warranty.

These instructions do not intend to cover all variations in installation, operation maintenance or mounting situation.

1. Make sure that the power is turned OFF before installing or servicing this luminaire.
2. Warning: risk of electrical shock. Install all luminaires 10 feet (3.05M) or more from pool, spa or fountain.
3. This luminaire is intended to be used only with a power supply (transformer) rated maximum of 300 watts (25 AMPS) at 15 volts.
4. Wiring connections must be made with wire connectors that is suitable for outdoor use.
5. Position the low voltage wire and wire connector so that it is located within 6 inches (15.2 cm) from a building structure, a luminaire, or fitting.
6. The main low voltage cable is intended for shallow burial - less than 6 inches (152 mm)
7. If additional lengths of low voltage cable is required, please contact [www.AMPlighting.com](http://www.AMPlighting.com) or call 1-813-978-3900.

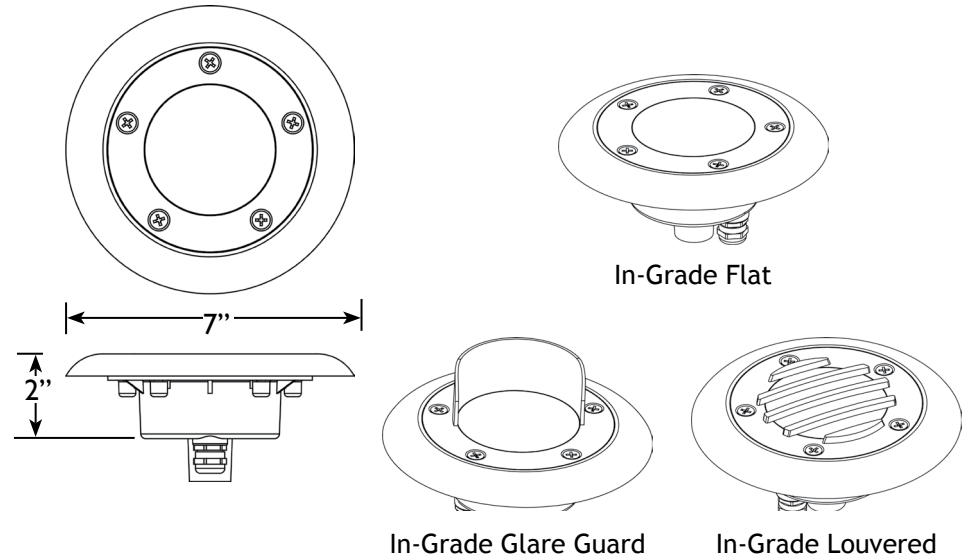
**SAVE THESE INSTRUCTIONS**

**Package Contents**

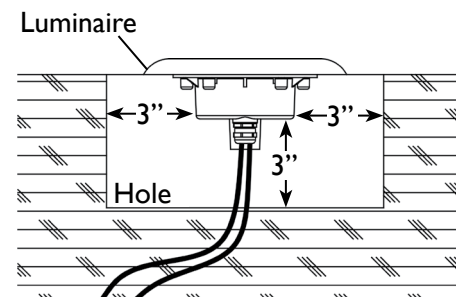
- A. (1) Luminaire
- B. (2) Optics\*

\* Ships with a 60° (installed) and 35° optic. 24° and 12° optics are sold separately.

**Product Dimensions**



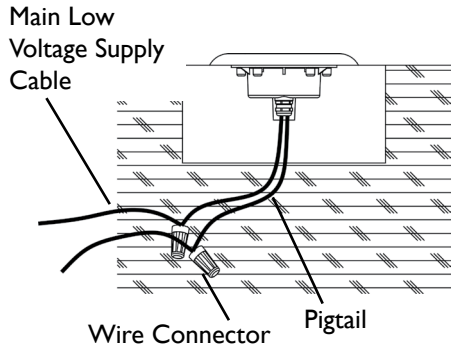
**1 Dig Hole**



Determine luminaire placement, and use a shovel or post-hole diggers to excavate a hole. Ensure that there are at least 3" spaces surrounding the luminaire housing. Space will be filled with pea gravel or sand to assist in proper drainage.

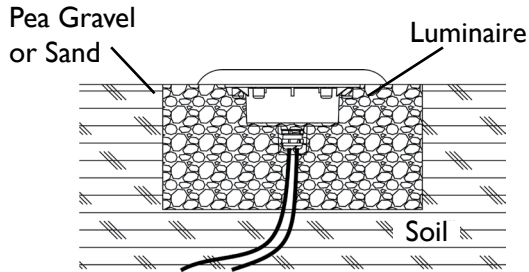
# AMP® AMP® In-Grade Well Light AWL-55xx and VWL-55xx Series

## 2 Wire Connection



Strip two leads from luminaire pigtail. Using two wire connectors, sold separately, connect leads from luminaire to main low voltage supply cable leads.

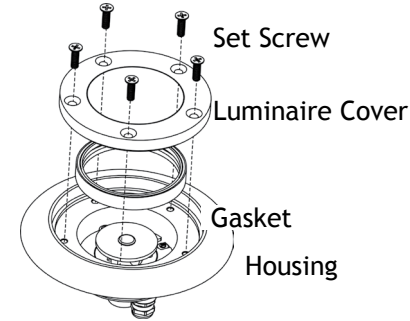
## 3 Fill Pea Gravel or Sand



Install the luminaire in hole and backfill hole with pea gravel or sand.

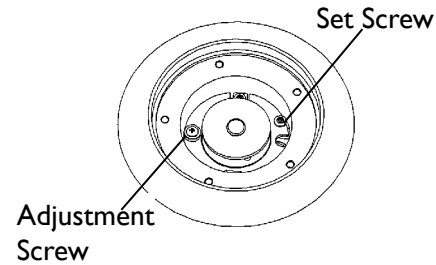
## Adjust Position of Light and Change Optics

### 4 Remove Luminaire Cover and Gasket



Unscrew set screws from top of luminaire. Remove cover and gasket from housing.

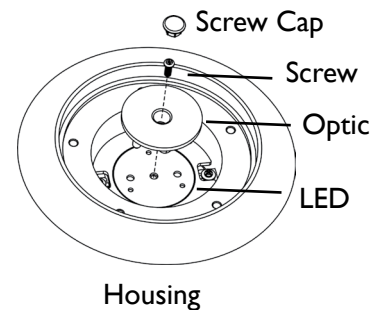
### 5 Adjust Position of Light



Loosen set screw. Use a screwdriver to loosen or tighten adjustment screw until desired position is achieved. Tighten set screw to lock the position.

Reverse step 4 to reinstall removed parts.

### 6 Replace Optic



Remove screw cap at the center of optic. Unscrew screw, remove optic from luminaire.

Put new optic to luminaire. Reverse Steps 6 and Step 4 to reinstall removed parts.

**AMP**<sup>®</sup> AMP<sup>®</sup> In-Grade Well Light  
AWL-55xx and VWL-55xx Series

**AMP**<sup>®</sup> Lighting

**Help Hotline:**

**1-813-978-3900 • Mon-Fri 9am-6pm (EST)**

Specifications and product details subject to change without notice.  
© Copyright 2017, AMP<sup>®</sup> Lighting, Lutz FL USA 33549 • All rights reserved.  
customersupport@AMPLighting.com • 813.978.3900

**[www.amplighting.com](http://www.amplighting.com)**

is-awl-55xx-ver3.pdf