

# Installation Instructions

---

Lumen Logic™ 12V Brass Bronze Flood Light  
LFL-2100-4-BBZ

## WARNING

This fixture is intended for installation in accordance with local codes and the National Electric Code (NEC). Failure to adhere to these codes and instructions may result in serious injury, property damage and void the warranty.

These instructions do not intend to cover all variations in installation, operation maintenance or mounting situation.

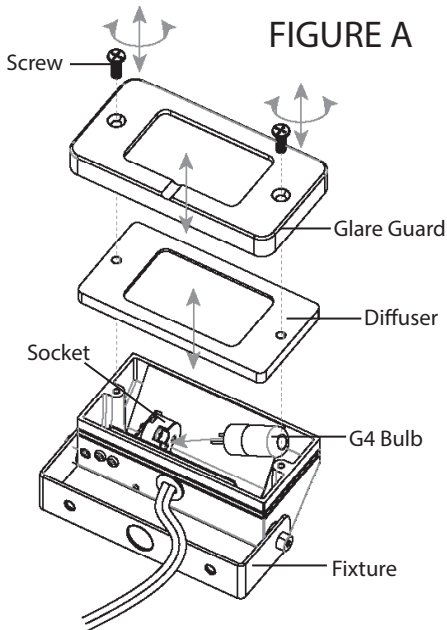
1. Make sure that the power is turned OFF before installing or servicing this fixture.
2. This fixture is perfect for placing in water fountains, water falls, ponds, pools, etc.
3. This fixture is intended to be used only with a power supply (transformer) rated maximum of 300 watts (25 AMPS) at 12 volts ~ 22 volts.
4. Underground Low Energy Cable must not be buried over 6" (15.2 cm) in order to connect to the main low voltage cable.
5. Wiring connections must be made with UL listed wire connectors that is suitable for outdoor use.
6. Position the wire connector so that it is located within 6 inches (15.2 cm) from a building structure, a luminaire, or fitting.

## LIT FIXTURE IS HOT!

**WARNING – TO REDUCE THE RISK OF FIRE OR INJURY TO PERSONS.**

1. Turn off/unplug and allow to cool before reducing lamp.
2. Lamp gets HOT quickly!
3. Do not touch the hot lens, guard or cowl.
4. Keep lamp away from materials that may burn.
5. Do not touch lamp at any time with bare hands.
6. Use a soft cloth.
7. Oil from skin may damage lamp.

# Installation Instructions



REFER TO FIGURE A-C  
WITH INSTRUCTIONS 1-7:

STEP 1: Loosen screws to remove the glare guard and diffuser from the fixture.

STEP 2: Insert the G4 Bulb into the socket.

STEP 3: Install the diffuser and glare guard back onto the fixture and secure with previously removed screws.

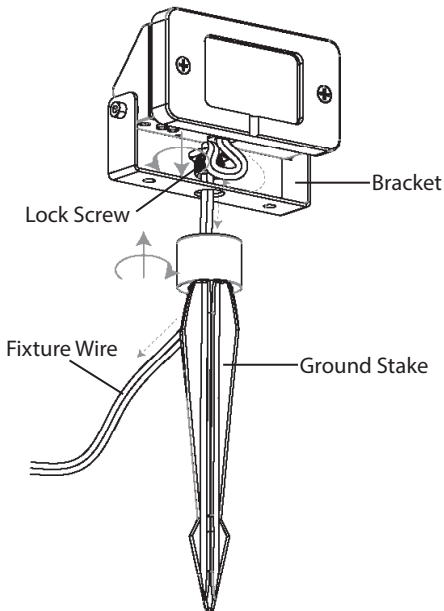
STEP 4: Pass the fixture wire through the lock screw, bracket and stake in order. Place the lock screw onto the bracket and thread it onto the ground stake.

STEP 5: Make a wire connection with the run line by splitting the two ends of each wire. These do not have polarity, so just don't connect both ends of the same wire together. See Figure C for details.

STEP 6: Turn on the transformer to ensure fixture is functioning properly.

STEP 7: Enjoy your new flood light.

**FIGURE B**



**FIGURE C**

