



Need help?
Call us

7 DAYS A WEEK
866-865-8872

M-F: 8 AM - 8 PM (EST)
S-S: 10 AM - 6 PM (EST)

VOLT Lighting, LLC
15486 N. Nebraska Ave.
Lutz, FL 33549
www.voltlighting.com
support@voltlighting.com

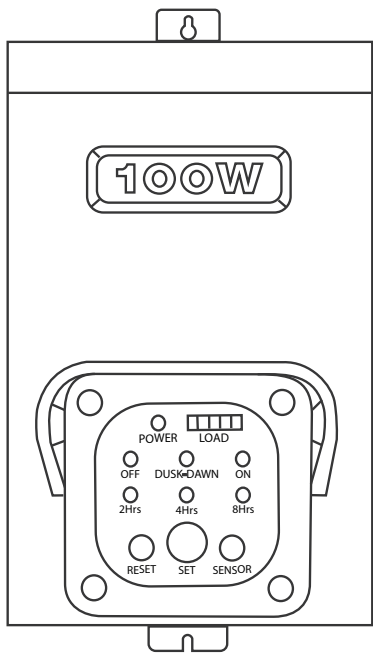
IMPORTANT PLEASE READ!

These are installation instructions for landscape lighting kits and individual products such as spot lights, path lights, bulbs, transformers, and hubs. The products you purchased may be different than those represented in this instruction sheet, but will function the same.

STEP 1 - ASSEMBLE PARTS

Transformer Option A

Determine the desired location for mounting the transformer. Drill a hole into the wall surface and insert the wall anchor. Thread the screw into the wall anchor leaving enough exposed to hang the transformer on. Place the keyhole of the transformer onto the screw head.



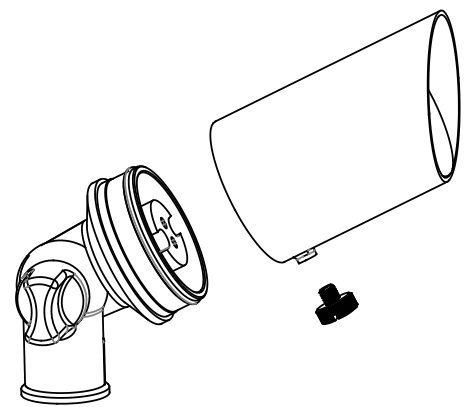
Transformer Option B

Attach the riser to the transformer and the stake to the riser.

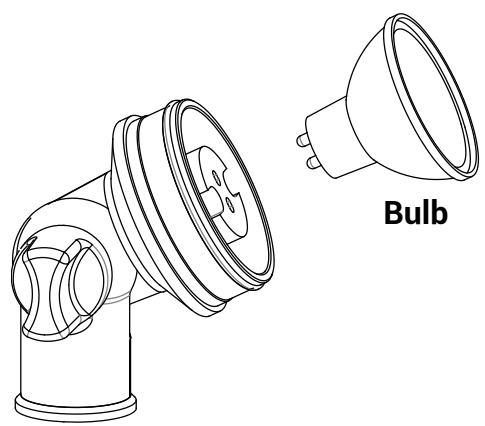


Spotlights

1) Remove the top.

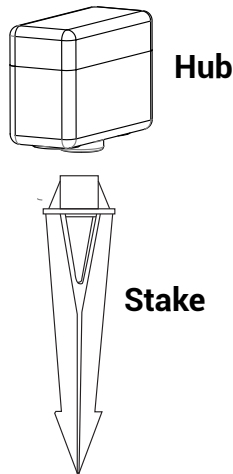


2) Install Bulb.

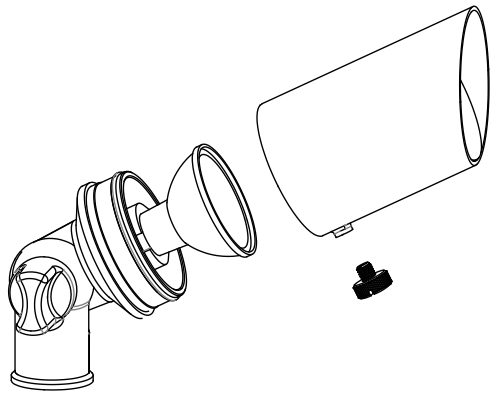


Hubs

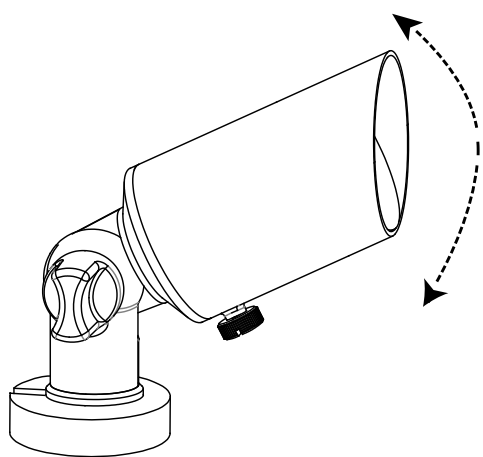
Attach the smaller black ground stakes to the hubs.



3) Reinstall top.



4) Adjust fixture.



Pathlights

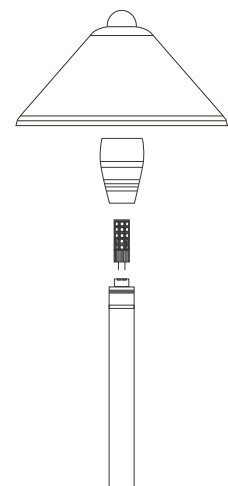
1) Remove stem top.



2) Install Bulb.



3) Install stem top and hat.

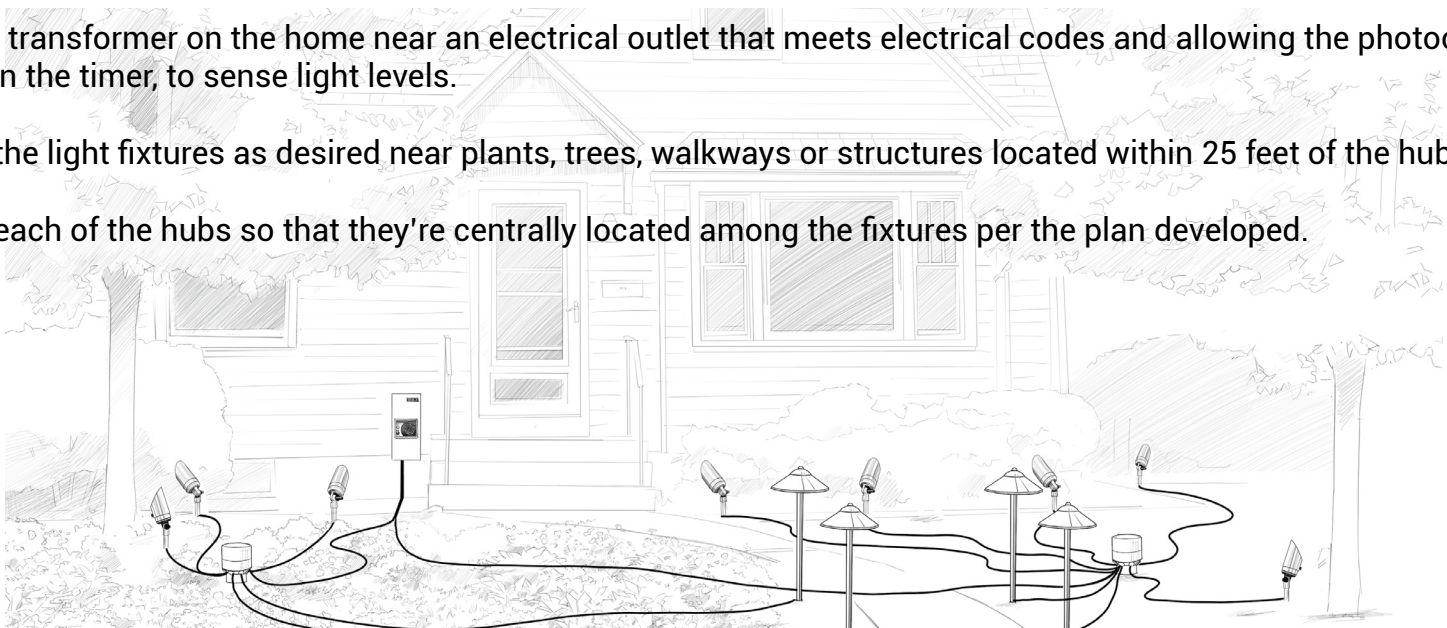


4) Install stem to stake.



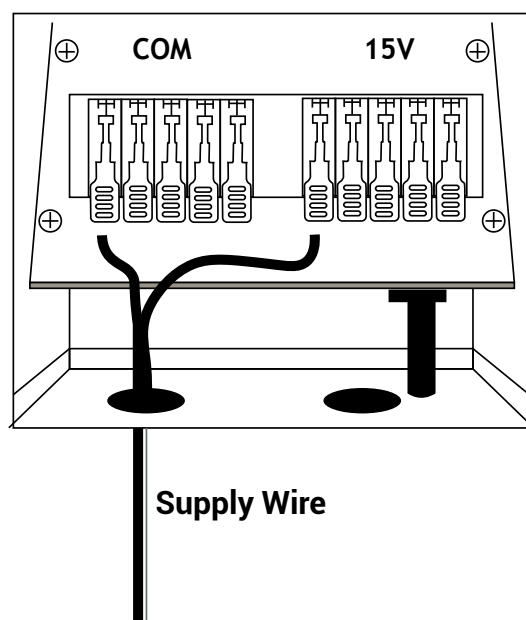
STEP 2 - DEVELOP A PLAN

1. Place the transformer on the home near an electrical outlet that meets electrical codes and allowing the photocell, located on the timer, to sense light levels.
2. Position the light fixtures as desired near plants, trees, walkways or structures located within 25 feet of the hubs.
3. Position each of the hubs so that they're centrally located among the fixtures per the plan developed.

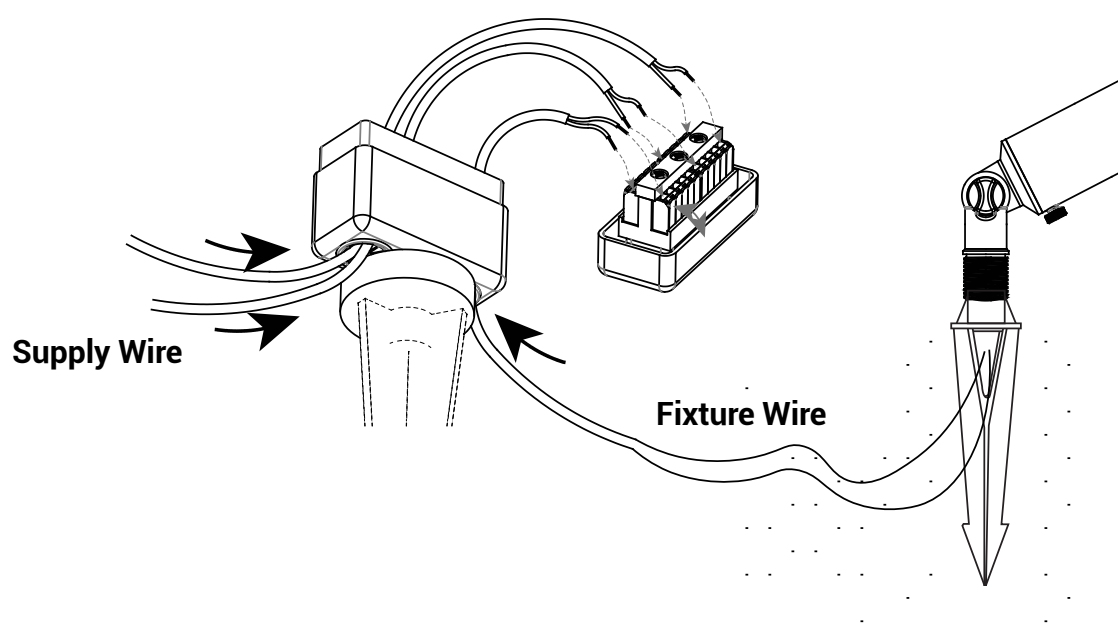


STEP 3 - SET UP WIRING

- A. Insert main supply wire into the wire exits on the bottom of the transformer. Then connect one end of the main supply wire to one lever terminal on the "COM" tap by simply lifting the lever up to a 90° angle, inserting the wire and flipping the lever down. Then, connect the other end of the supply wire to the 15V terminal. The connectors are able to come out of the holders for ease of installation and can be snapped back into place.



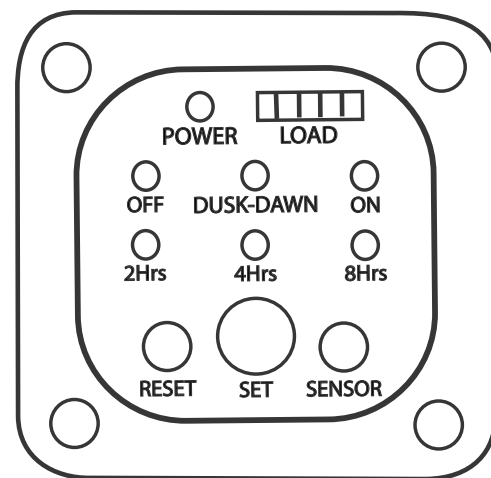
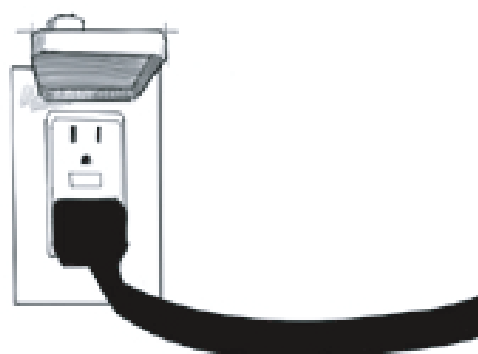
- B. Run the supply wire to the centrally located hubs and insert the wire through the grommets on the bottom of the hub. Then, flip one of the terminal levers open, insert one end of the stripped supply wire, and flip the lever closed to make your connection. Last, flip the lever open that is directly opposite from the first connection, on the other side of the terminal block, and insert the other end of the supply wire and flip the lever closed to make the connection.



- C. Run the fixture wire to the hub and insert the wire through the grommets on the bottom of the hub. Then, flip one of the terminal levers open, insert one end of the stripped fixture wire, and flip the lever closed to make your connection. Last, flip the lever open that is directly opposite from the first fixture wire connection, on the other side of the terminal block, and insert the other end of the fixture wire and flip the lever closed to make the connection.

STEP 4 - TEST LIGHTS

- A. Plug in the transformer and ensure the power light turns on; this guarantees the transformer is receiving power from the wall outlet.
B. Manually set the timer to the "ON" position to ensure the fixtures light up.
C. Once you have verified the fixtures light up, change the timer to the desired settings.



Need help? Call me!

7 DAYS A WEEK

(866) 865-8872

M-F: 8 AM - 8 PM (EST)

S-S: 10 AM - 6 PM (EST)



VOLT Lighting, LLC
15486 N. Nebraska Ave., Lutz, FL 33549
www.voltlighting.com