

INSTALLATION INSTRUCTIONS



VOLT® Line Voltage Landscape Lighting
VOLT® Line- Voltage Junction Hub
VAC-HUB1-LI-SS

Help Hotline:

1-813-978-3700 • Mon-Fri 8am-8pm • Sat-Sun 10am - 6pm (EST)

Specifications and product details subject to change without notice.
© Copyright 2020, VOLT® Lighting, Lutz FL USA 33549 • All rights reserved.
customersupport@voltlighting.com • 813.978.3700



! Important: Please Read Before Installation

This connection hub is intended for installation in accordance with local codes and the National Electric Code (NEC). Failure to adhere to these codes and instructions may result in serious injury, property damage and void the warranty.

These instructions do not intend to cover all variations in installation, operation maintenance or mounting situations.

1. Make sure that the power is turned OFF before installing or servicing this fixture.
2. This connection hub can be used for line voltage (100V-277V AC/DC).
3. Make sure the supply voltage is the same as the rated luminaire voltage.
4. Do not install where the marked operating temperatures exceed the ignition temperature of the hazardous atmosphere.
5. Do not operate in ambient temperatures above those indicated on the luminaire.

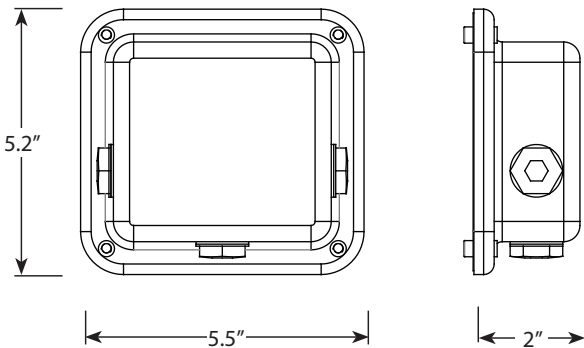
For supply connections use wire rated for at least 90°C (194°F)

Package Contents

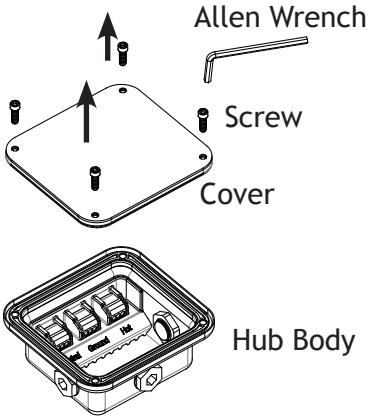
A. (1) Line Voltage Hub

B. (3) Waterproof seals

Product Dimensions

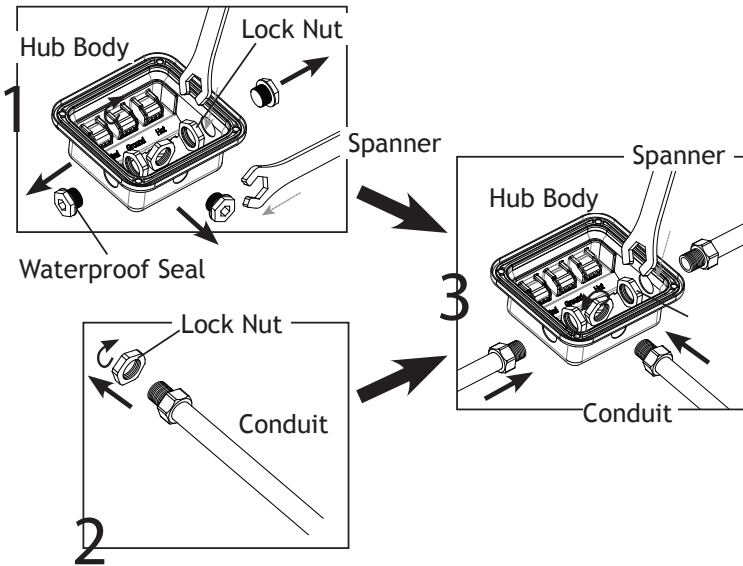


1 Remove Cover



By using the provided Allen wrench, loosen the screws to remove the cover from the hub body.

2 Install Conduit



1. Loosen the lock nuts to remove the waterproof wire seals from the hub body.

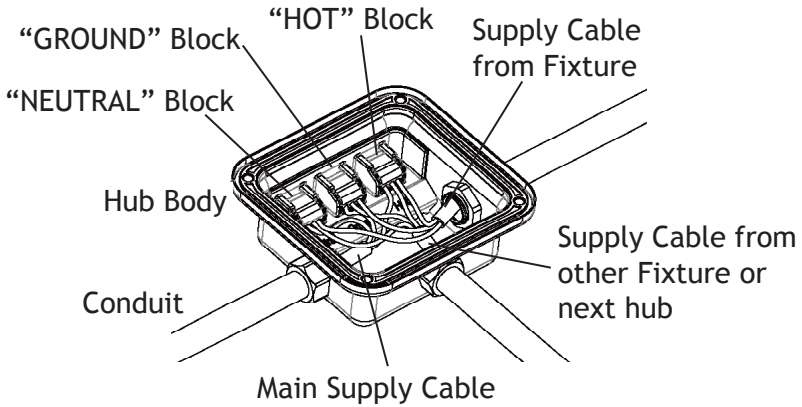
2. Remove the lock nuts on your conduit.

3. Place the conduit into the holes on the hub body and secure in place with the previously removed lock nut.

See next step for wire connections.



3 Wire Connections

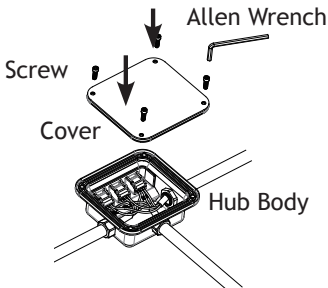


Open the clamp on the connector that you are going to insert the wire in, insert one side of the supply wire into the connector and close the clamp. Use the same method to connect the remaining supply wires. One side of each wire will go into each connector. If you are not continuing your run, and only have one fixture at the end, you will only utilize two terminals in each block rather than all three.

Insert the ends of the neutral wires into the “NEUTRAL” block. Insert the ends of the live wires into the “HOT” block. Insert the ends of the ground wires into the “GROUND” block.

Review step 2 if you have not utilized all the openings on the hub.

4 Attach Cover



Place the cover back onto the hub ensuring the gasket is in place. Secure with the previously removed screws. Hand tighten until snug with the provided Allen wrench.



INSTALLATION INSTRUCTIONS



VOLT® Low Voltage Landscape Lighting
VOLT® Low- Voltage Junction Hub
VAC-HUB1-LI-SS

Help Hotline:

1-813-978-3700 • Mon-Fri 8am-8pm • Sat-Sun 10am - 6pm (EST)

Specifications and product details subject to change without notice.
© Copyright 2020, VOLT® Lighting, Lutz FL USA 33549 • All rights reserved.
customersupport@voltlighting.com • 813.978.3700



! Important: Please Read Before Installation

This connection hub is intended for installation in accordance with local codes and the National Electric Code (NEC). Failure to adhere to these codes and instructions may result in serious injury, property damage and void the warranty.

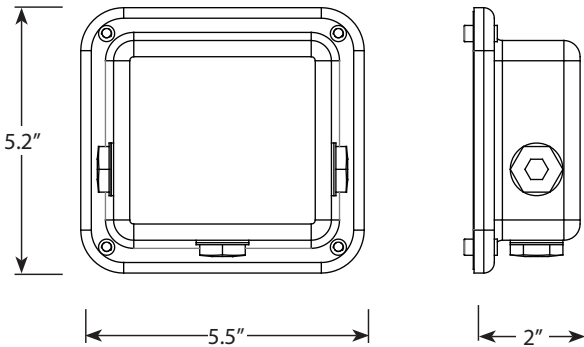
These instructions do not intend to cover all variations in installation, operation maintenance or mounting situations.

1. Make sure that the power is turned OFF before installing or servicing this fixture.
2. Warning: this connection hub is not intended to be installed within 10 feet [3 meters] of a pool, spa or fountain.
3. This connection hub can be used for low voltage (12V AC/DC).
4. Underground Low Energy Cable must not be buried over 6" (15.2 cm) in order to connect to the main cable or next connections.

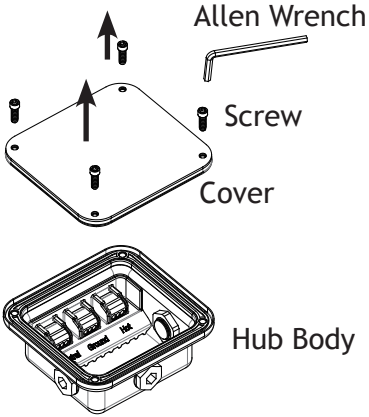
Package Contents

- A. (1) Low Voltage Hub B. (3) Waterproof seals

Product Dimensions

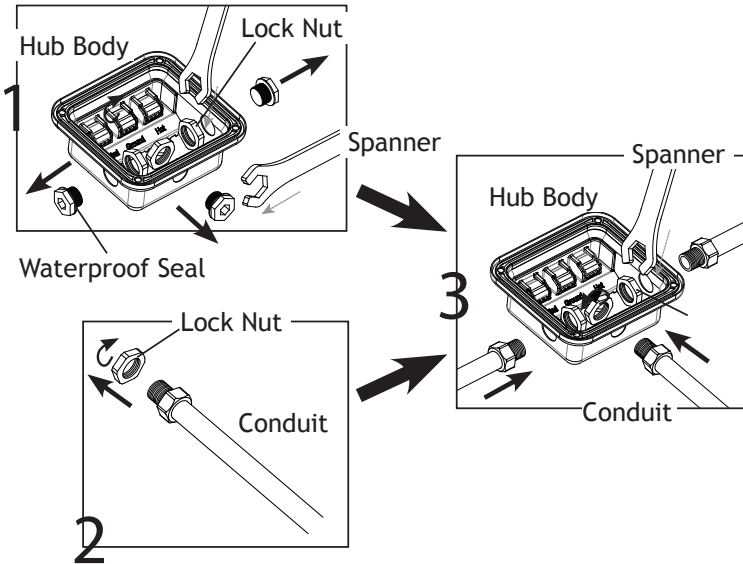


1 Remove Cover



By using the provided Allen wrench, loosen the screws to remove the cover from the hub body.

2 Install Conduit



1. Loosen the lock nuts to remove the waterproof wire seals from the hub body.

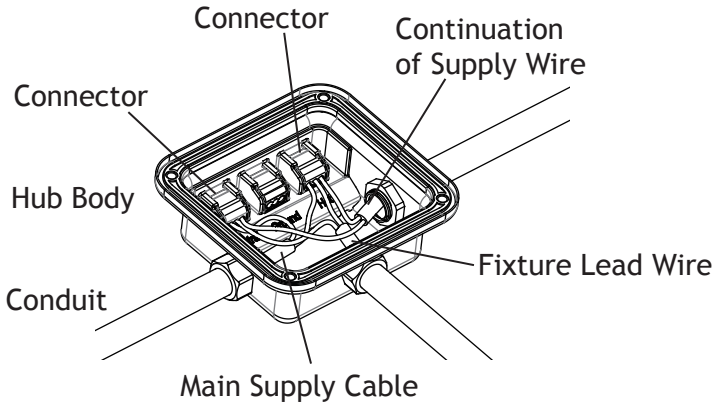
2. Remove the lock nuts on your conduit.

3. Place the conduit into the holes on the hub body and secure in place with the previously removed lock nut.

See next step for wire connections.



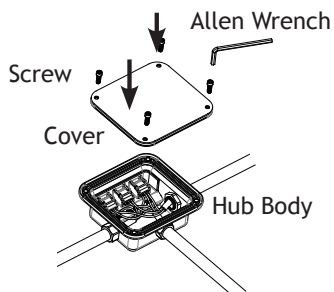
3 Wire Connections



Strip both ends of all wires. Open a clamp on the connector that you are going to insert the wire in, insert one of the wire into the connector and close the clamp. Then insert the other side of the wire into the opposite connector. Use the same method to connect the fixture and the run continuation. For low voltage you will only need to use two connectors rather than all three that are provided. It's easiest to think of it as two sides of each cable. All the lefts go into one connector and all of the rights go into another. The fixtures are non polar so left and right are not of relevance as long as you don't put both sides of any lead into the same connector.

Review Step 2 if you do not need to continue your wire run.

4 Attach Cover



Place the cover back onto the hub ensuring the gasket is in place. Secure with the previously removed screws. Hand tighten until snug with the provided Allen wrench.



www.voltlighting.com

Specifications and product details subject to change without notice.
© Copyright 2020, VOLT® Lighting, Lutz FL USA 33549 • All rights reserved. customersupport@voltlighting.com • 813.978.3700