

INSTALLATION INSTRUCTIONS



VOLT® Line Voltage Landscape Lighting
VOLT® G2 Line-Voltage Junction Hub (120V)
VAC-HUB2-LI-SS

Help Hotline:

1-813-978-3700 • Mon-Fri 8am-8pm • Sat-Sun 10am - 6pm (EST)

Specifications and product details subject to change without notice.
© Copyright 2023, VOLT® Lighting, Lutz FL USA 33549 • All rights reserved.
customersupport@voltlighting.com • 813.978.3700



! Important: Please Read Before Installation

This connection hub is intended for installation in accordance with local codes and the National Electric Code (NEC). Failure to adhere to these codes and instructions may result in serious injury, property damage and void the warranty.

These instructions do not intend to cover all variations in installation, operation maintenance or mounting situations.

1. Make sure that the power is turned OFF before installing or servicing this fixture.
2. This connection hub can be used for line voltage (100V-277V AC/DC).
3. Make sure the supply voltage is the same as the rated luminaire voltage.
4. Do not install where the marked operating temperatures exceed the ignition temperature of the hazardous atmosphere.
5. Do not operate in ambient temperatures above those indicated on the luminaire.

For supply connections use wire rated for at least 90°C (194°F)

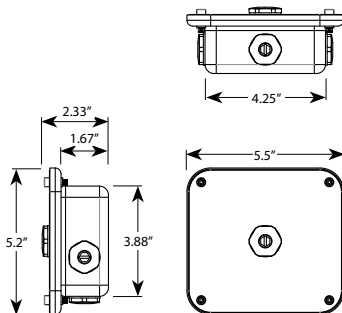
Package Contents

- | | |
|-------------------------|------------------|
| A. (1) Line Voltage Hub | C. (1) Wrench |
| B. (4) Waterproof Seals | D. (1) Allen Key |

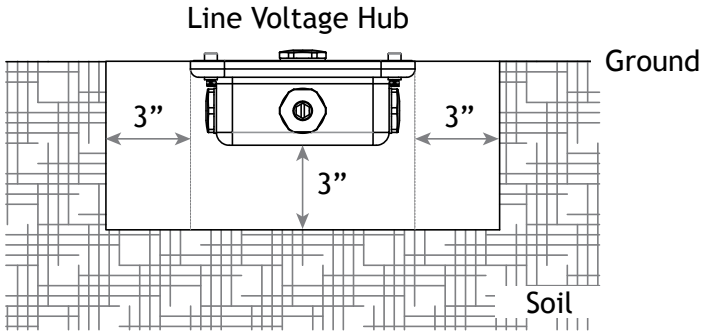
Parts Sold Separately

- | | |
|-----------------------|----------------|
| A. (4) Trident Stakes | B. (1) Coupler |
|-----------------------|----------------|

Product Dimensions

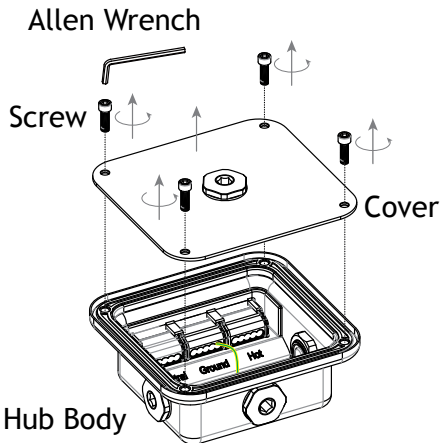


1 Dig A Hole for Line Voltage Hub



Dig a hole in the ground at the desired location. Make sure there is approximately 3 inches surrounding the line voltage hub for pea gravel or sand on all sides.

2 Remove Cover

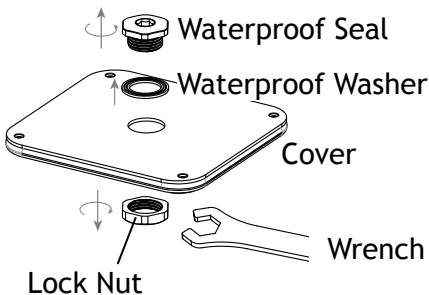


By using the provided Allen wrench, loosen the screws to remove the cover from the hub body.

If you want to install a path light or spot light on the top of the hub, refer to Steps 3-6 for instructions.

Otherwise, go to Step 7 to continue the installation.

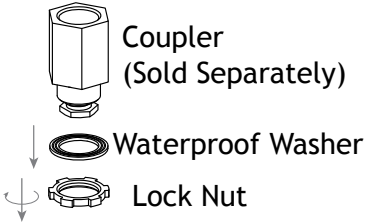
3 Remove Waterproof Seal on the Cover



Using the wrench, loosen the lock nut to remove the waterproof seal and the waterproof washer from the cover.

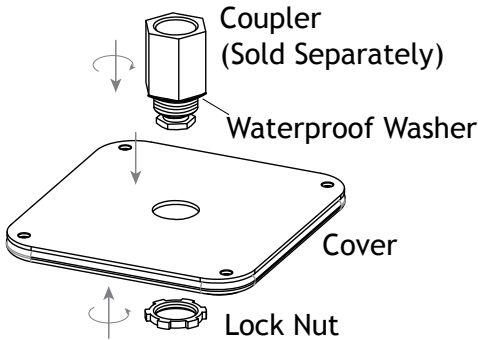


4 Remove Lock Nut from Coupler



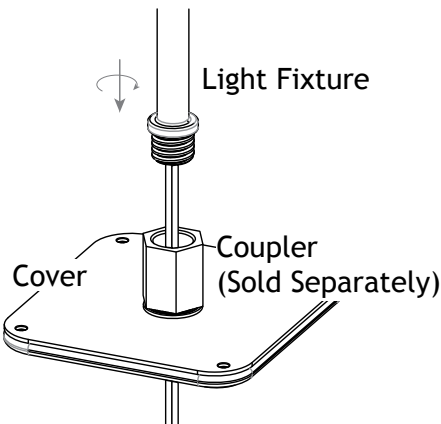
Remove the lock from the coupler.

5 Install Coupler to Cover



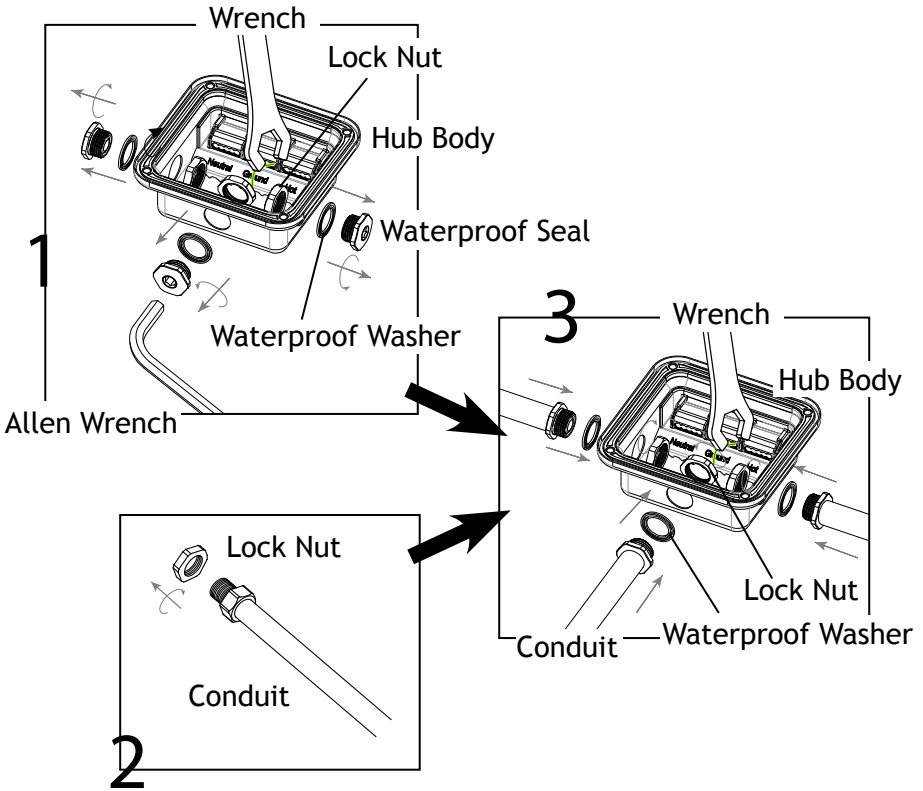
Place the coupler with the waterproof washer through the top of the hub. Then secure with the previously removed lock nut.

6 Install Light Fixture onto Cover



Insert the fixture wire through the coupler and cover. Thread the light fixture onto the coupler.

7 Install Conduit

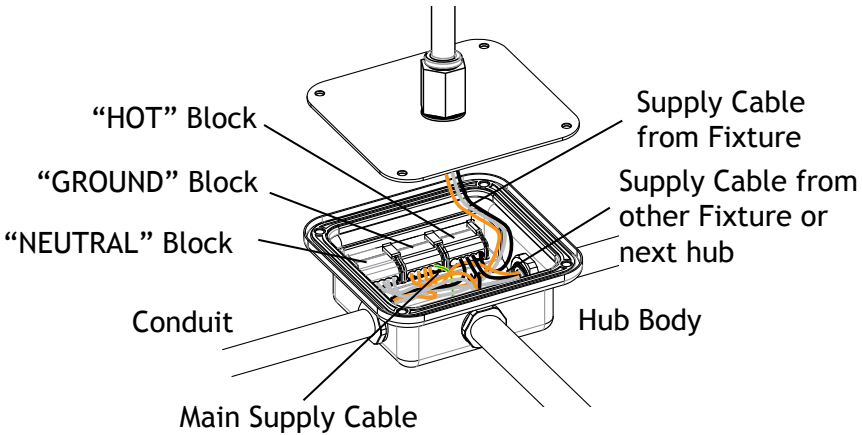


1. Loosen the lock nuts to remove the waterproof wire seals from the hub body.
2. Remove the lock nuts on your conduit.
3. Place the conduit into the holes on the hub body and secure in place with the previously removed lock nut.

See next step for wire connections.



8 Wire Connections

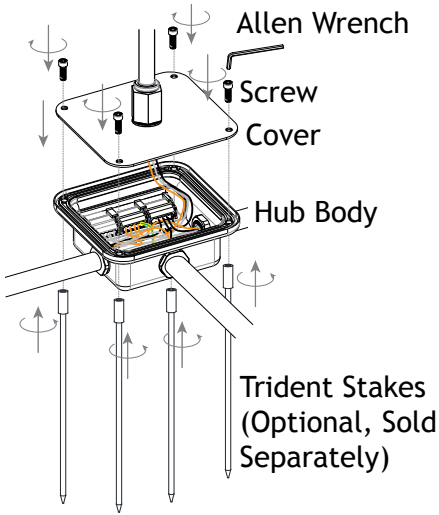


Open the clamp on the connector that you are going to insert the wire in, insert one side of the supply wire into the connector and close the clamp. Use the same method to connect the remaining supply wires. One side of each wire will go into each connector. If you are not continuing your run, and only have one fixture at the end, you will only utilize two terminals in each block rather than all three.

Insert the ends of the neutral wires into the “NEUTRAL” block. Insert the ends of the live wires into the “HOT” block. Insert the ends of the ground wires into the “GROUND” block.

Review step 2 if you have not utilized all the openings on the hub.

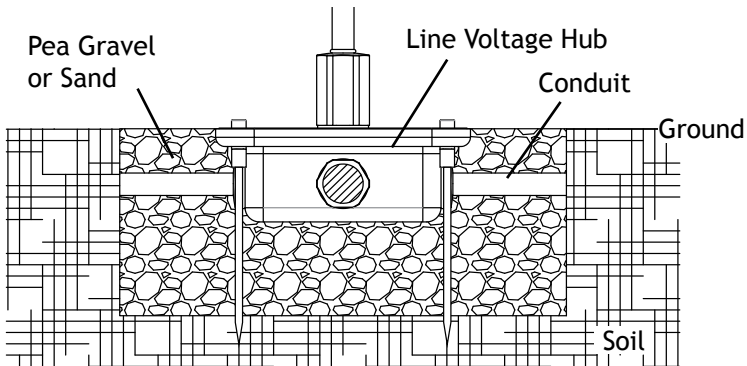
9 Attach Cover



Place the cover back onto the hub ensuring the gasket is in place. Secure with the previously removed screws. Hand tighten until snug with the provided Allen wrench.

If you install a light fixture onto the cover, we recommend installing the trident stakes onto the bottom of the hub body.

10 Fill with Pea Gravel or Sand



Install the connect hub with the fixture in the hole and backfill the hole with pea gravel or sand.



Help Hotline:

1-813-978-3700 • Mon-Fri 8am-8pm • Sat-Sun 10am - 6pm (EST)

Specifications and product details subject to change without notice.
© Copyright 2023, VOLT® Lighting, Lutz FL USA 33549 • All rights reserved.
customersupport@voltlighting.com • 813.978.3700