

## Installation & Maintenance Guide



VOLT® Line Voltage Lighting

VOLT® Bistro String Guide Wire Kit

VAC-SI-GW2

**Help Hotline:**

**1-813-978-3700 • Mon-Fri 8am-8pm • Sat-Sun 10am - 6pm (EST)**

Specifications and product details subject to change without notice.

© Copyright 2017, VOLT® Lighting, Lutz FL USA 33549 • All rights reserved. [customersupport@voltlighting.com](mailto:customersupport@voltlighting.com) • 813.978.3700



**! Important: Please Read Before Installation**

**This equipment is intended to be installed only by qualified personnel. The installation must be made in accordance with the current edition to the National Electric Code and all applicable state and local building codes. Failure to adhere to these codes and instructions may result in serious injury, property damage and void the warranty.**

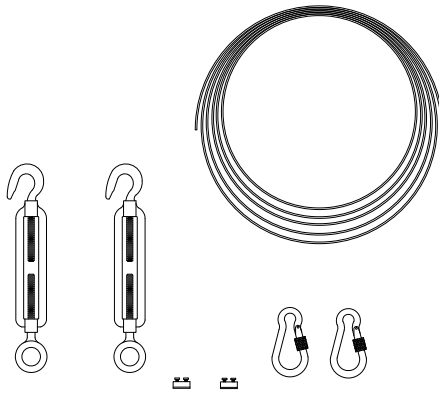
**The final installation must be approved by the appropriate qualified electrical/building inspector(s).**

**These instructions do not intend to cover all variations in installation, operation maintenance or mounting situation.**

- 1. WARNING: risk of electrical shock. Install all luminaires 10 feet (3.05M) or more from pool, spa or fountain.**
- 2. Wiring connections must be made with wire connectors that is suitable for outdoor use.**
- 3. The fixture shall be installed or maintained by qualified electrician or person who is familiar with the fixture.**

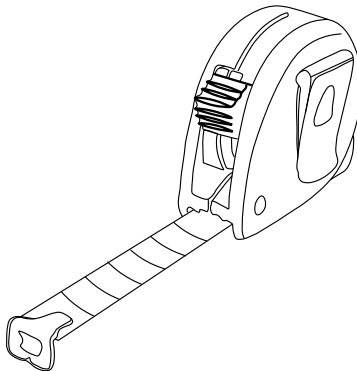
## Package Contents

- A. (2) Turnbuckles
- B. (2) Carabiners
- C. (2) Wire Locking Mechanisms
- D. (1) 100' spool of Guide Wire



## 1 Measure Desired Wire Length.

First you will figure out how much guide wire will be required. The best way to do this is to use painter's tape to hold one end of the wire in your desired mounting location. Then, spool out the wire to the other side of where the strings will hang. Take more painter's tape and wrap it around the wire to indicate where you will need to cut it. It is best practice to leave an extra foot or so and cut again when you actually hang the lights from the string. This will allow you to adjust how low the lighting will drape and allow you more slack to easily tighten the wire.





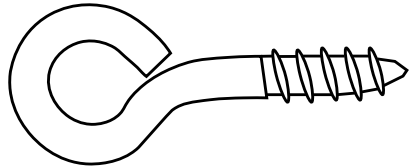
## 2 Cut The Wire to your Desired Length

Take your wire cutting tool (be sure to wear heavy duty gloves) and cut your wire to your necessary length. It's important to leave yourself slack for later. Typically a foot extra will work well.



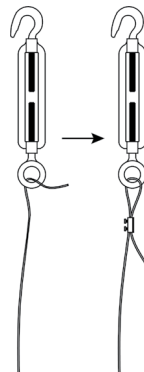
## 3 Install Mounting Hardware

Install your eyelet screws or other mounting hardware with an eyelet in your desired location. These are not included in the kit as many customers will require various mounting apparatuses. If mounting into a tree, be sure that you do not use copper hardware.



## 4 Connect Wire to the turnbuckle

Loosen the flat head screws on the wire locking mechanism at one end of the wire. Slide the wire through, then loop the wire through the loop on the turnbuckle. The wire on the other side of the loop will then go back through the wire locking mechanism. Be sure to leave a couple of inches of slack for adjustment if needed. Tighten the flat heads back down and the wire should be secured to the turnbuckle. Clip the turnbuckle on the eyelet you previously hung. Be sure that the turnbuckle is loose at this point.



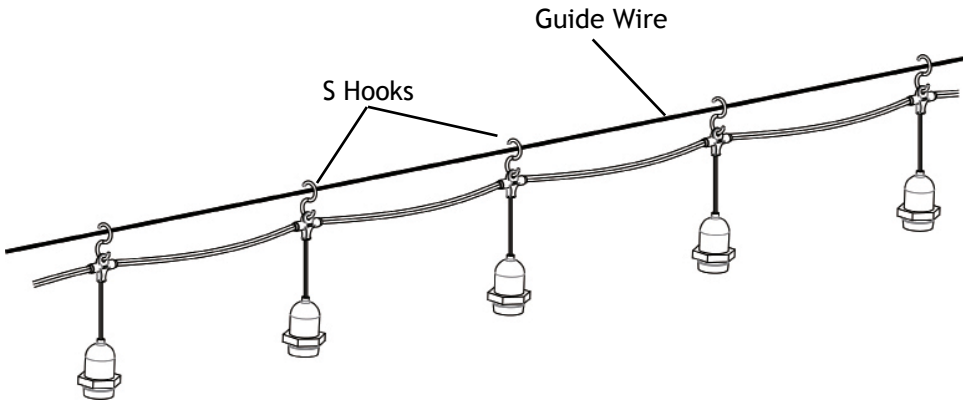
**NOTE:** If you would like to be able to unclip quickly, see section #6 on using carabiners.

## 5 Connect the Bistro String to the Guide Wire

Repeat step four at the other end of your guide wire. If you are going to run the wire directly through the eyelets on the string lights (not recommended), you will want to weave it through before doing this. Be sure to remove the slack in the wire with your turnbuckle loose so that you can use the functionality to set the wire's tautness using them afterward.

Next, Use S hooks or zip ties to hang the strings from the wire. At this point you should still not have the lamps installed in the sockets to avoid breakage in case you drop them. The string will sag from the weight. It's important to disperse the weight evenly to try and allow the wire to tighten easier.

Next, install the bulbs after insuring your wire is 100% secured and tighten the wire up with the turnbuckles. You should be able to turn the buckle clockwise to tighten the wire as desired.



## 6 Using Carabiners

If you would like to be able to quickly remove and unclip your Bistro lights, you will want to utilize the provided carabiners. These will allow you to quickly remove your lights without adjusting the turnbuckles to create slack each time. Loop the wire around the carabiner and use the provided wire locking mechanisms to secure it in place. Then, connect the carabiner to the turnbuckle. This clip-in method is preferred by users that want to hang their lights only on special occasions.



[www.voltlighting.com](http://www.voltlighting.com)

Specifications and product details subject to change without notice.  
© Copyright 2017, VOLT® Lighting, Lutz FL USA 33549 • All rights reserved.  
[customersupport@voltlighting.com](mailto:customersupport@voltlighting.com) • 813.978.3700