

INSTALLATION INSTRUCTIONS



VOLT® Low Voltage Landscape Lighting
VOLT® All-Star™ Spotlight
VAL-2000-4-BBZ

Help Hotline:

1-813-978-3700 • Mon-Fri 8am-8pm • Sat-Sun 10am - 6pm (EST)

Specifications and product details subject to change without notice.
© Copyright 2019, VOLT® Lighting, Lutz FL USA 33549 • All rights reserved.
customersupport@voltlighting.com • 813.978.3700



Important: Please Read Before Installation

This luminaire is intended for installation in accordance with local codes and the National Electric Code (NEC). Failure to adhere to these codes and instructions may result in serious injury, property damage and void the warranty.

These instructions do not intend to cover all variations in installation, operation maintenance or mounting situation.

1. Make sure that the power is turned OFF before installing or servicing this luminaire.
2. **WARNING:** risk of electrical shock. Install all luminaires 10 feet (3.05M) or more from pool, spa or fountain.
3. This luminaire is intended to be used only with a power supply (transformer) rated maximum of 300 watts (25 AMPS) at 15 volts.
4. Wiring connections must be made with UL listed wire connectors that are suitable for outdoor use.
5. Position the low voltage wire and wire connector so that it is located within 6 inches (15.2 cm) from a building structure, a luminaire or fitting.
6. The main low voltage cable is intended for shallow burial - less than 6 inches (152 mm).
7. If additional lengths of low voltage cable are required, please contact www.voltlighting.com or call 1-813-978-3700.

IMPORTANT SAFETY INSTRUCTIONS

INSTRUCTIONS PERTAINING TO A RISK OF FIRE, OR INJURY TO PERSONS
Lighted lamp is HOT!

WARNING - To reduce the risk of FIRE OR INJURY TO PERSONS.

1. Turn off/unplug and allow to cool before replacing lamp.
2. Lamp gets HOT quickly! Contact only switch/plug when turning on.
3. Do not touch the hot lens, guard or enclosure.
4. Keep lamp away from materials that may burn.
5. Do not touch lamp at any time. Use a soft cloth. Oil from skin may damage lamp.
6. Do not operate the luminaire fitting with a missing or damaged shield.

SAVE THESE INSTRUCTIONS

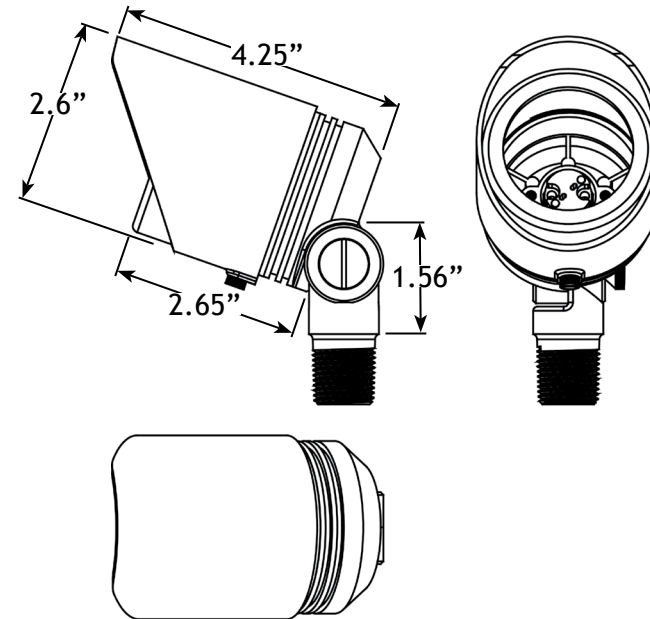
Package Contents

- A. (1) Fixture

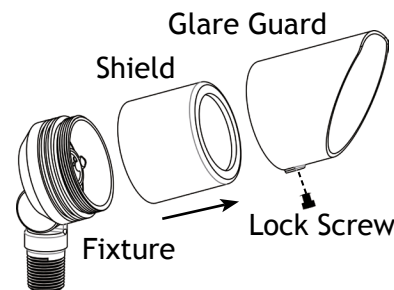
Parts Required

- A. (1) MR16 Lamp (sold separately)

Product Dimensions



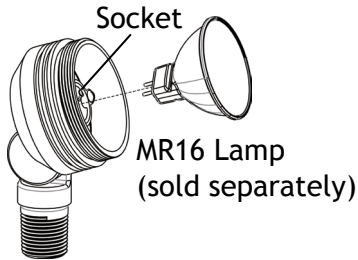
1 Remove Glare Guard and Shield from Fixture



Unlock the lock screw and remove the glare guard from the shield. Unscrew the shield and remove it from the fixture.



2 Install MR16 Lamp

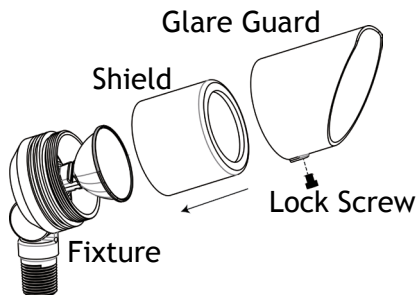


Insert the lamp with the correct wattage and type as marked on the fixture label.

CAUTION: Do not exceed maximum wattage marked on luminaire label.

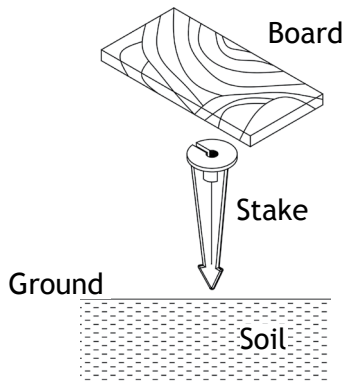
NOTE: DO NOT touch lamp with bare hands. Use soft cloth to handle lamp.

3 Install Glare Guard and Shield to Fixture



Screw the shield back onto the fixture. Pass the glare guard over the shield and secure with the lock screw. Tighten until snug.

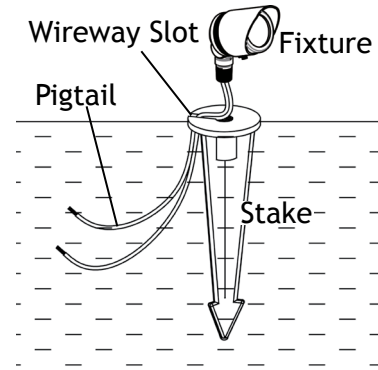
4 Install Stake



Determine the desired location for mounting the fixture. Hammer the stake into the ground until flange of stake is flush to grade. To avoid damage to the stake, place a board on top of the stake while hammering.

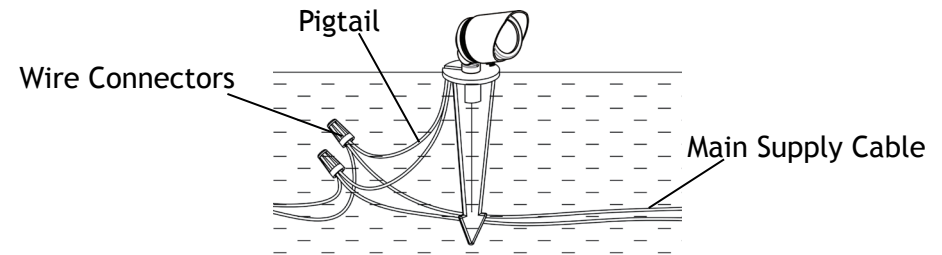
NOTE: If the ground is hard and the stake is difficult to install, make a crosscut in the ground using a flat shovel.

5 Install Fixture to Stake



Clear away an area in the ground at the wireway slot on top of the stake. Lay the luminaire pigtail into the wireway slot and screw the fixture onto the stake. Tighten until snug.

6 Wire Connections



Strip both leads from the fixture pigtail. Using two wire connectors (sold separately), connect the leads from the fixture to the main low voltage supply cable lead.

Install/Replace Lamp

Remove the glare guard and the shield to expose the lamp and replace it with the correct wattage and type marked on the fixture label. Then reinstall the shield and glare guard to the fixture.

IMPORTANT: Halogen lamps must be protected from moisture and dust at all times. Always reinstall shield when moved.



www.voltlighting.com

Specifications and product details subject to change without notice.

© Copyright 2019, VOLT® Lighting, Lutz FL USA 33549 • All rights reserved. customersupport@voltlighting.com • 813.978.3700