

INSTALLATION INSTRUCTIONS



VOLT® Low Voltage Landscape Lighting

VOLT® Tranquility Brass LED Hanging Light

VAL-9501-4036-BBZ

Help Hotline:

1-813-978-3700 • Mon-Fri 8am-8pm • Sat-Sun 10am - 6pm (EST)

Specifications and product details subject to change without notice.

© Copyright 2018, VOLT® Lighting, Lutz FL USA 33549 • All rights reserved. customersupport@voltlighting.com • 813.978.3700



Important: Please Read Before Installation

This luminaire is intended for installation in accordance with local codes and the National Electric Code (NEC). Failure to adhere to these codes and instructions may result in serious injury, property damage and void the warranty.

These instructions do not intend to cover all variations in installation, operation maintenance or mounting situations.

1. Make sure that the power is turned OFF before installing or servicing this luminaire.
2. **WARNING:** risk of electrical shock. Install all luminaires 10 feet (3.05M) or more from pool, spa or fountain.
3. This luminaire is intended to be used only with a power supply (transformer) rated maximum of 300 watts (25 AMPS) at 15 volts.
4. Wiring connections must be made with wire connectors that are suitable for outdoor use.
5. The unit low voltage cable should:
 - a) Be protected by routing in close proximity to the luminaire or fitting, or next to a building structure such as a house or deck;
 - b) Not be buried except for a maximum 6 inches (15.2 cm) in order to connect to the main low voltage cable; and
 - c) Have the length cut off so that it is connected to a connector within 6 inches (15.2 cm) from the building structure, a luminaire, or fitting.
6. If additional lengths of low voltage cable are required, please contact www.voltlighting.com or call 1-813-978-3700.

Important Safety Instructions

INSTRUCTIONS PERTAINING TO A RISK OF FIRE, OR INJURY TO PERSONS
Lighted lamp is HOT!

WARNING - To reduce the risk of FIRE OR INJURY TO PERSONS.

1. Turn off/unplug and allow to cool before replacing lamp.
2. Lamp gets HOT quickly! Contact only switch/plug when turning on.
3. Do not touch the hot lens, guard or enclosure.
4. Keep lamp away from materials that may burn.
5. Do not touch lamp at any time. Use a soft cloth. Oil from skin may damage lamp.
6. Do not operate the luminaire fitting with a missing or damaged shield.

SAVE THESE INSTRUCTIONS

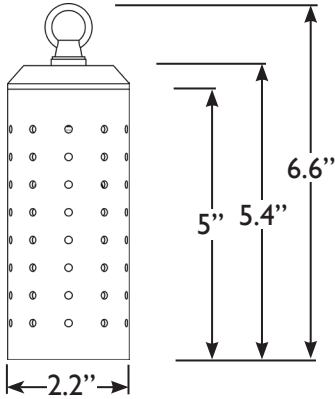
Package Contents

- A. (1) Fixture Body
- B. (1) Fixture Chain
- C. (1) Quick Link
- D. (1) Mounting Bracket

Parts Required (sold separately)

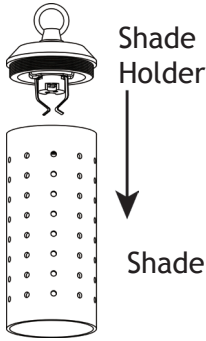
- A. (3) Self-tapping Screws
- B. (3) Wall Anchors
- C. (3) Flat Washers
- D. (1) LED MR16 Lamp
- E. (1) Low Voltage Transformer
- F. (1) Exterior Grade Caulk

Product Dimensions



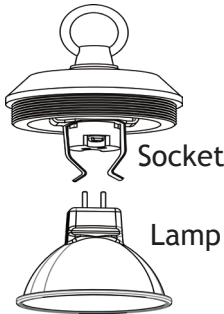


1 Remove Shade



Unscrew the shade and remove it from the shade holder to expose the socket.

2 Install Lamp

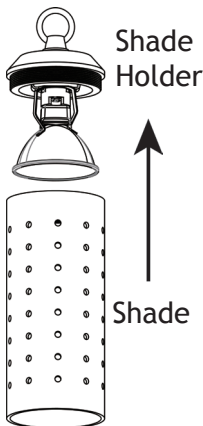


Insert the lamp with the correct wattage and type marked on the fixture label. These fixtures use LED MR16s (pictured) and LED GU4 Bi-pins (not pictured).

CAUTION: This fixture is for LED use only. Do not exceed maximum wattage marked on luminaire label.

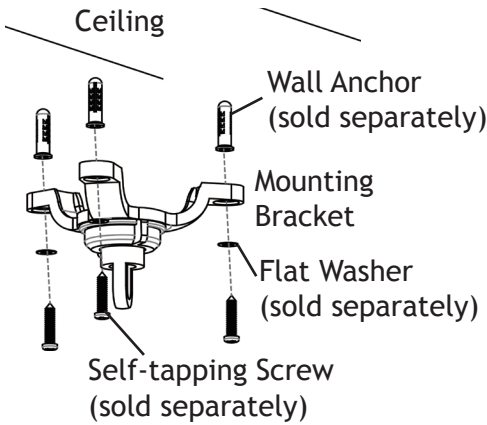
NOTE: DO NOT touch lamp with bare hands. Use soft cloth to handle lamp.

3 Install Shade



Thread the shade back onto the shade holder and hand tighten until snug.

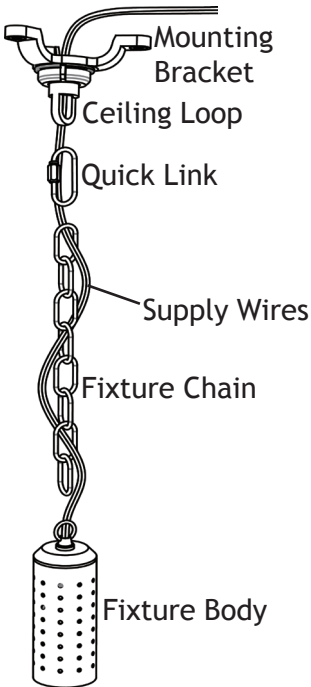
4 Install Mounting Bracket



Attach the mounting bracket onto the desired ceiling surface. Secure with the flat washers and self-tapping screws.

Note: Wall anchors are required for certain installation conditions (concrete or brick walls). Mark on the desired ceiling surface for wall anchors by using the holes on the mounting bracket. Remove the mounting bracket and drill proper holes on the desired ceiling surface and then insert the wall anchors.

5 Attach Fixture to Mounting Bracket



Adjust the fixture chain to the desired length by removing the links if needed. (Note: Pliers are required for this step).

With the fixture chain unattached to the fixture loop on the top of the fixture body; or the ceiling loop on the underside of the mounting bracket, pull the supply wires through the fixture chain alternating between the links.

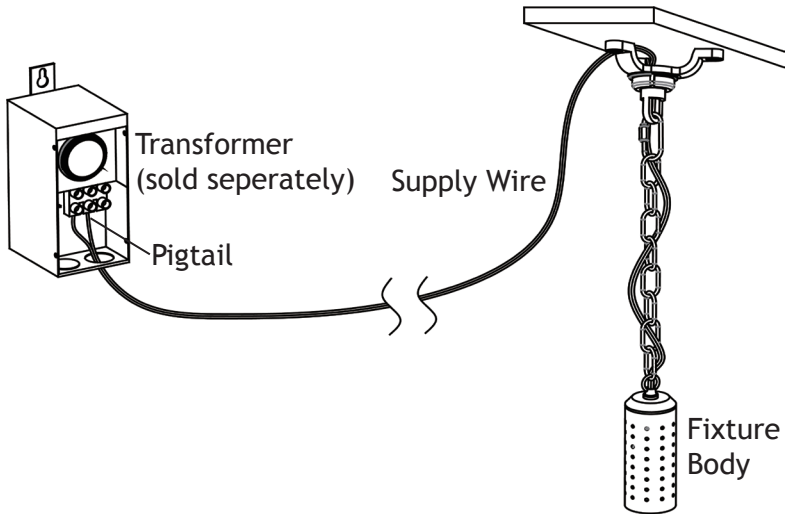
After the wires are through the fixture chain, pull the supply wires up and around the backside of the mounting bracket.

Attach one end of the fixture chain to the fixture loop at the top of the fixture body. Lift the fixture body and fixture chain up and attach the other end of the fixture chain onto the ceiling loop on the bottom of the mounting bracket with the quick link.

The fixture will now hang safely. Close the chain loop at the ceiling loop.

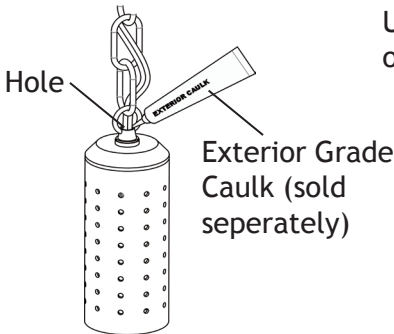


6 Wire Connections



Lay out the supply cable to the transformer. Strip both leads from the luminaire pigtail. Connect the leads from the luminaire supply cable to the transformer (sold separately).

6 Apply Caulk to the Hole on Fixture Loop



Using the exterior grade caulk, caulk over the hole on the fixture loop.



Help Hotline:

1-813-978-3700 • Mon-Fri 8am-8pm • Sat-Sun 10am - 6pm (EST)

www.voltlighting.com

Specifications and product details subject to change without notice.

© Copyright 2018, VOLT® Lighting, Lutz FL USA 33549 • All rights reserved. customersupport@voltlighting.com • 813.978.3700