

INSTALLATION INSTRUCTIONS



VOLT® Low Voltage Landscape Lighting

VOLT® Integrated LED Gentle Splash

VFL-4601-4-BBZ

Help Hotline:

1-813-978-3700 • Mon-Fri 8am-8pm • Sat-Sun 10am - 6pm (EST)

Specifications and product details subject to change without notice.

© Copyright 2019, VOLT® Lighting, Lutz FL USA 33549 • All rights reserved. customersupport@voltlighting.com • 813.978.3700



! Important: Please Read Before Installation

This fixture is intended for installation in accordance with local codes and the National Electric Code (NEC). Failure to adhere to these codes and instructions may result in serious injury, property damage and void the warranty.

These instructions do not intend to cover all variations in installation, operation maintenance or mounting situations.

1. Make sure that the power is turned OFF before installing or servicing this fixture.
2. **Warning:** this fixture is not intended to be installed within 10 feet [3 meters] of a pool, spa or fountain.
3. This fixture is intended to be used only with a power supply (transformer) rated maximum of 300 watts (25 AMPS) at 15 volts.
4. Underground Low Energy Cable must not be buried over 6" (15.2 cm) in order to connect to the main low voltage cable.
5. Wiring connections must be made with UL listed wire connectors that are suitable for outdoor use.
6. Position the wire connector so that it is located within 6 inches (15.2 cm) from a building structure, a luminaire, or fitting.

! Important Safety Instructions

LIGHTED LAMP IS HOT!

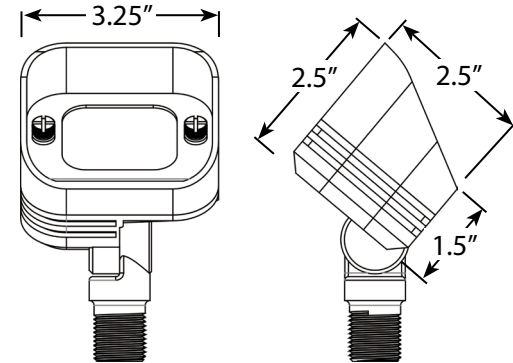
WARNING - TO REDUCE THE RISK OF FIRE OR INJURY TO PERSONS.

1. Turn off/unplug and allow to cool before reducing lamp.
2. Lamp gets HOT quickly!
3. Do not touch the hot lens, guard or cowl.
4. Keep lamp away from materials that may burn.
5. Do not touch lamp at any time.
6. Use a soft cloth.
7. Oil from skin may damage lamp.
8. Do not operate the fixture with a damaged or missing lens or shield.

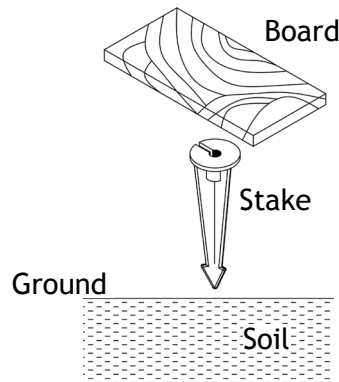
Package Contents

- A. (1) Fixture Body
- B. (1) Stake

Product Dimensions



1 Install Stake



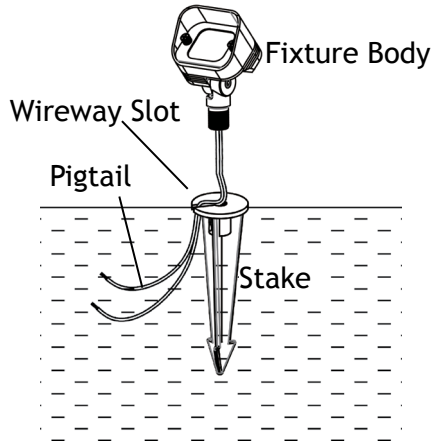
Determine your desired location for mounting the fixture. Hammer the stake into the ground until flange of stake is flush to grade. To avoid damage to the stake, place a board on top of the stake while hammering.

NOTE: If the ground is hard and the stake is difficult to install, make a crosscut in the ground using a flat shovel.



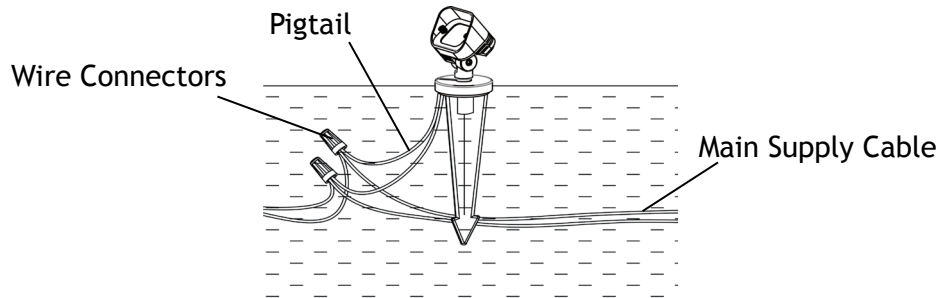
VOLT® Integrated LED Gentle Splash
VFL-4601-4-BBZ

2 Install Fixture Body to Stake



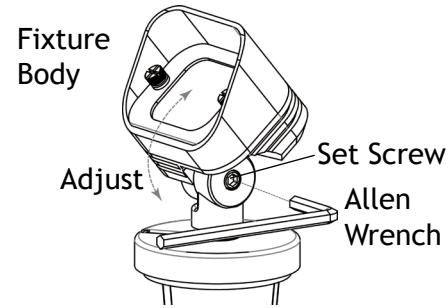
Clear away an area on the ground at the wireway slot on top of the stake. Lay the luminaire pigtail into the wireway slot and thread the fixture onto the stake. Tighten using the lock nut to secure it to the base.

3 Wire Connections



Strip both leads from the luminaire pigtail. Using two wire connectors (sold separately), connect the leads from the luminaire to the main supply cable leads.

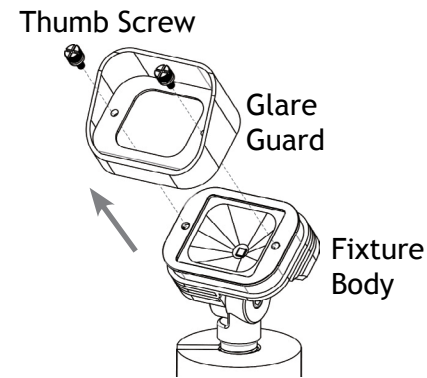
4 Adjust Fixture Body



Use the included Allen wrench to unlock the set screw and adjust the fixture body to your desired direction. Tighten the set screw once your desired angle is achieved.

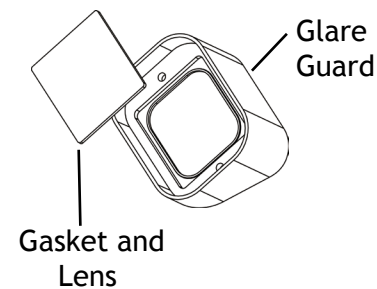
Replace Lens

1 Remove Glare Guard with Lens



Loosen the thumb screws, then remove the glare guard and the lens from the fixture body.

2 Replace Lens

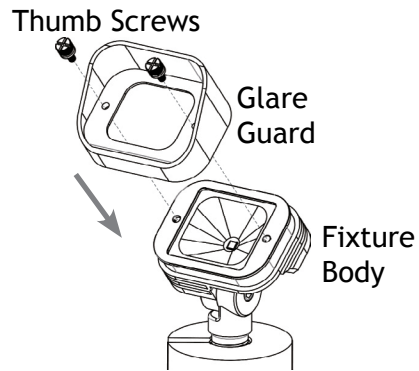


Remove the lens from the rubber gasket, then replace it with the lens you would like to use.



VOLT® Integrated LED Gentle Splash
VFL-4601-BBZ

3 Install Glare Guard with Lens



Place the glare guard and the gasketed lens back onto the fixture body and secure with the thumb screws previously removed. Hand tighten until snug.



Help Hotline:

1-813-978-3700 • Mon-Fri 8am-8pm • Sat-Sun 10am - 6pm (EST)

www.voltlighting.com

Specifications and product details subject to change without notice.

© Copyright 2019, VOLT® Lighting, Lutz FL USA 33549 • All rights reserved. customersupport@voltlighting.com • 813.978.3700

is-VFL-460l-4-BBZ-ver1.pdf