

INSTALLATION INSTRUCTIONS



VOLT® Grow Light Controller VGAC-CN1

Help Hotline:

1-813-978-3700 • Mon-Fri 8am-8pm • Sat-Sun 10am - 6pm (EST)

Specifications and product details subject to change without notice.
© Copyright 2020, VOLT® Lighting, Lutz FL USA 33549 • All rights reserved.
customersupport@voltlighting.com • 813.978.3700



! Important: Please Read Before Installation

This controller is intended for installation in accordance with local codes and the National Electric Code (NEC). Failure to adhere to these codes and instructions may result in serious injury, property damage and void the warranty.

These instructions do not intend to cover all variations in installation, operation maintenance or mounting situations.

1. Mounting and installing of the controller may only be executed by certified service personnel, in accordance with the applicable local laws and regulations.
2. The installer is responsible for correct and safe installation.
3. Avoid coiled cords and keep mains leads separated. This prevents electromagnetic interference.
4. Do not connect or disconnect the controller under load.
5. Ensure the power cord and the connector cables not to touch any of the LED rails after assembly.

! Important Safety Instructions

INSTRUCTIONS PERTAINING TO A RISK OF FIRE, OR INJURY TO PERSONS

WARNING - To reduce the risk of FIRE OR INJURY TO PERSONS.

1. Do not connect or disconnect the power cable or the connector cable to the controller while under load.
2. Always disconnect the controller from mains before performing any maintenance.
3. The installation and use of the controller is the responsibility of the end user. Incorrect use or installation can lead to failure and damage to the device. Damage to the device and electronic circuitry as a result of incorrect installation and use revokes the warranty.
4. Regularly check the controller for dust or dirt buildup. Clean if necessary. Clean the outside of the controller using a dry or damp cloth.

SAVE THESE INSTRUCTIONS

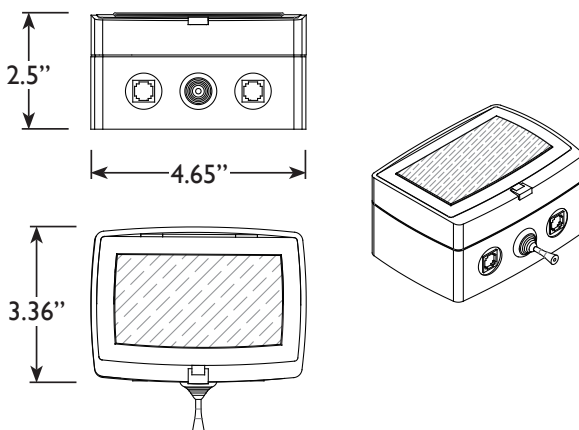
Package Contents

- A. (1) Controller
- B. (2) Anchors
- C. (6) Screws
- D. (1) Power Adaptor

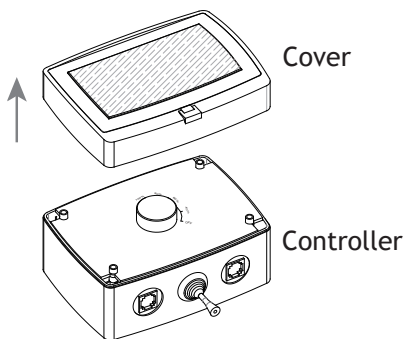
Parts Required (Sold Separately)

- A. RJ Connect Cables

Product Dimensions



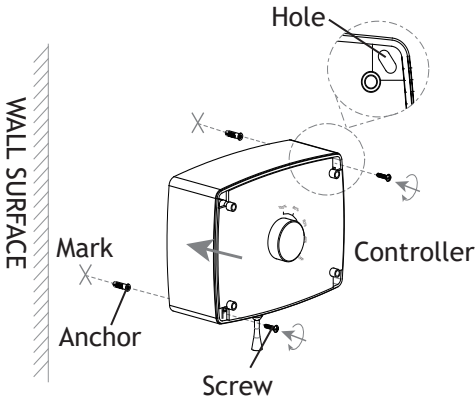
1 Remove the Cover



Remove the cover from the controller.



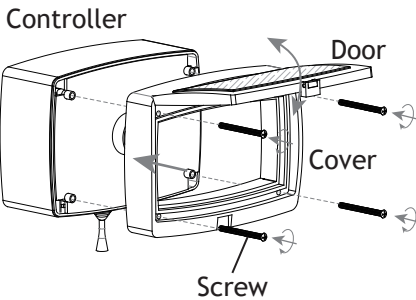
2 Install Controller



Place the controller on to the wall surface and mark two points on the wall using the two corner holes. Remove the controller and drill holes for the anchors using the marks as a guide. Insert the anchors into the drilled holes.

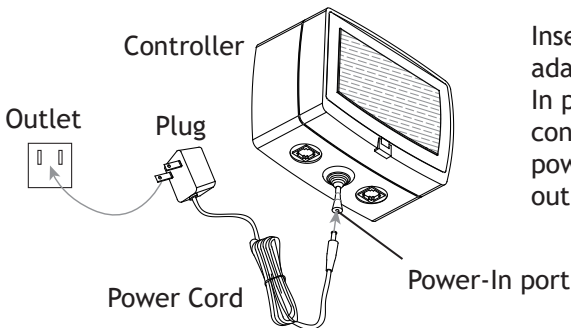
Attach the controller back onto the wall surface and secure with two screws. Tighten with a screwdriver.

3 Install Cover Back onto Controller



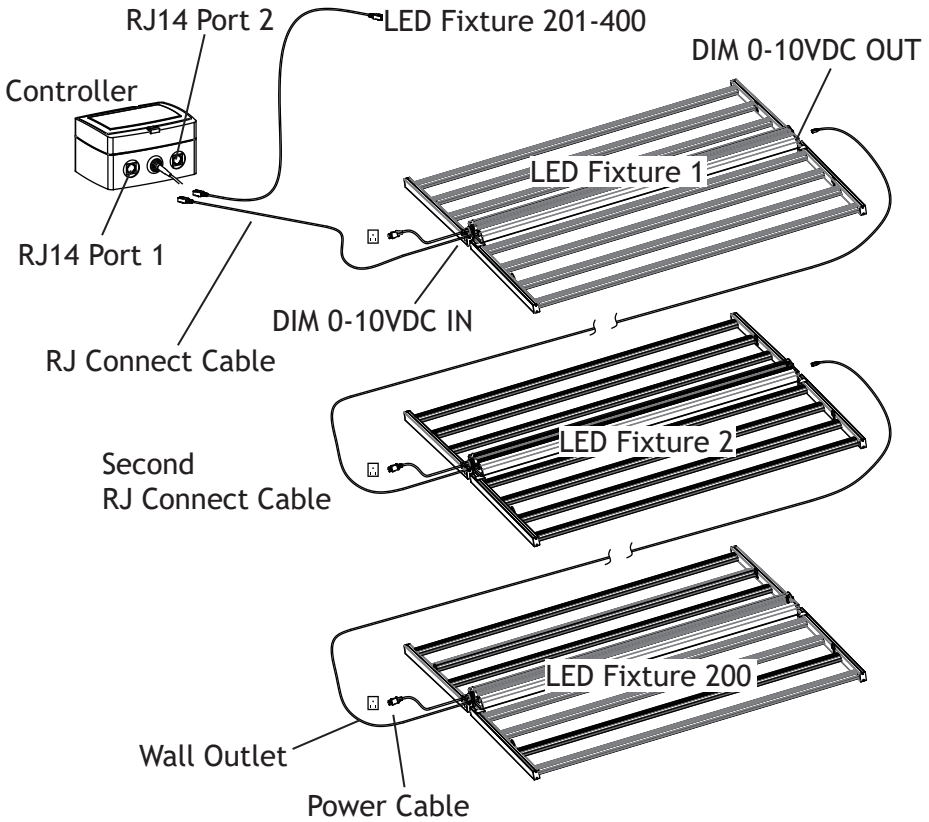
Attach the cover back onto the controller properly. Open the door of the cover and install four screws into the holes at the corners. Tighten the four screws with a screwdriver to secure the cover to the controller. Close the door after installation.

4 Connect Power Adaptor Cord



Insert the end of the power adaptor cord into the Power-In port on the controller and connect the plug end of the power adaptor to the wall outlet.

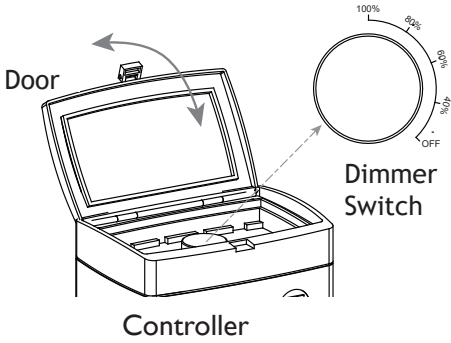
5 Connect up to 200 to 400 LED Fixtures



- Connect one RJ connect cable to RJ14 Port 1 of the controller and the first LED fixture.
- Remove the dummy plug on the “DIM 0-10VDC OUT” Port of the first LED fixture. Connect the RJ14 connector of the second connect cable to this OUT Port.
- Remove the dummy plug from the “DIM 0-10VDC IN” Port on the second LED fixture. Connect the second connect cable from the first LED fixture to this IN Port.
- Repeat the above steps to connect up to 200 LED fixtures to port RJ14 Port 1.
- Use the same processes of above to connect 201 to 400 LED fixtures through RJ14 Port 2 of controller.



7 Control with Dimmer Switch



Open the door of the cover.
Rotate the dimmer switch to
adjust the LED lumens (PPF).



Help Hotline:

1-813-978-3700 • Mon-Fri 8am-8pm • Sat-Sun 10am - 6pm (EST)

www.voltlighting.com

Specifications and product details subject to change without notice.
© Copyright 2020, VOLT® Lighting, Lutz FL USA 33549 • All rights reserved.
customersupport@voltlighting.com • 813.978.3700