

# INSTALLATION INSTRUCTIONS



## VOLT® Low Voltage Landscape Lighting Ultra Premium Up/Down Sconce 650 Series

### Help Hotline:

1-813-978-3700 • Mon-Fri 8am-8pm • Sat-Sun 10am - 6pm (EST)

Specifications and product details subject to change without notice.  
© Copyright 2014, VOLT® Lighting, Lutz FL USA 33549 • All rights reserved.  
[customersupport@voltlighting.com](mailto:customersupport@voltlighting.com) • 813.978.3700



**! Important: Please Read Before Installation**

This luminaire is intended for installation in accordance with local codes and the National Electric Code (NEC). Failure to adhere to these codes and instructions may result in serious injury, property damage and void the warranty.

These instructions do not intend to cover all variations in installation, operation maintenance or mounting situation.

1. Make sure that the power is turned OFF before installing or servicing this luminaire.
2. **WARNING:** risk of electrical shock. Install all luminaires 10 feet (3.05M) or more from pool, spa or fountain.
3. This luminaire is intended to be used only with a power supply (transformer) rated maximum of 300 watts (25 AMPS) at 15 volts.
4. Wiring connections must be made with wire connectors that is suitable for outdoor use.
5. Position the low voltage wire and wire connector so that it is located within 6 inches (15.2 cm) from a building structure, a luminaire or fitting.
6. The main low voltage cable is intended for shallow burial - less than 6 inches (152 mm)
7. If additional lengths of low voltage cable is required, please contact [www.voltlighting.com](http://www.voltlighting.com) or call 1-813-978-3700.

**! IMPORTANT SAFETY INFORMATION**

**INSTRUCTIONS PERTAINING TO A RISK OF FIRE, OR INJURY TO PERSONS  
Lighted lamp is HOT!**

**WARNING** - To reduce the risk of FIRE OR INJURY TO PERSONS.

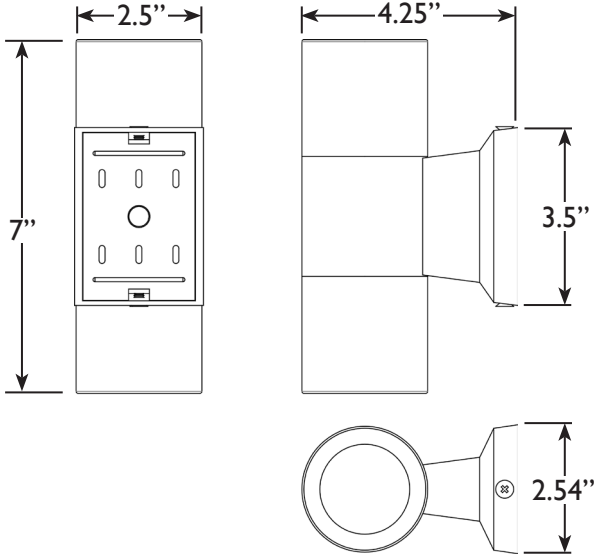
1. Turn off/unplug and allow to cool before replacing lamp.
2. Lamp gets HOT quickly! Contact only switch/plug when turning on.
3. Do not touch the hot lens, guard or enclosure.
4. Keep lamp away from materials that may burn.
5. Do not touch lamp at any time. Use a soft cloth. Oil from skin may damage lamp.
6. Do not operate the luminaire fitting with a missing or damage shield.

SAVE THESE INSTRUCTIONS

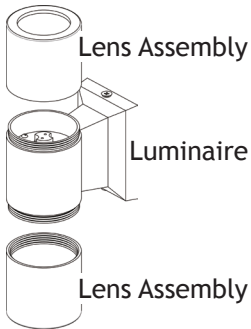
## Package Contents

- A. (1) Inner Backplate
- B. (2) Mounting Screws
- C. (2) Wall Anchors
- D. (1) Luminaire

## Product Dimensions



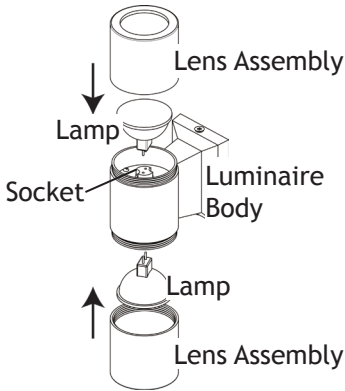
## 1 Remove Lens Assembly



Remove lens assemblies from top and bottom of the luminaire body by screwing lens assemblies off luminaire body.



## 2 Install Lamp and Lens Assemblies



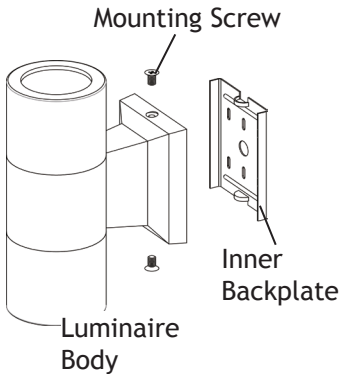
Insert lamp, sold separately, with correct wattage and type marked on luminaire label.

**CAUTION:** Do not exceed maximum wattage marked on luminaire label.

**NOTE:** DO NOT touch lamp with bare hands. Use soft cloth to handle lamp.

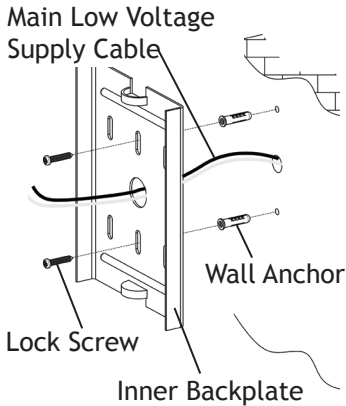
Screw lens assemblies back on the top.

## 3 Remove Inner Backplate



Screw mounting screws off the top and bottom of backplate and remove inner backplate from luminaire body.

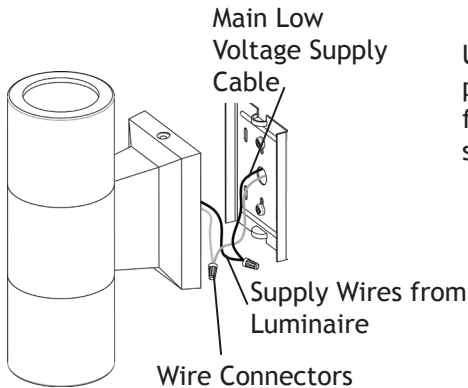
## 4 Install Inner Backplate



Place inner backplate at your desired location and mark two points on the wall surface for wall anchors. Remove inner backplate and drill proper holes on the wall.

Insert wall anchors, into drilled holes. Pass main low voltage supply cable through the center hole on the inner backplate. Attach inner backplate onto wall and secure with lock screws. Hand tighten until snug.

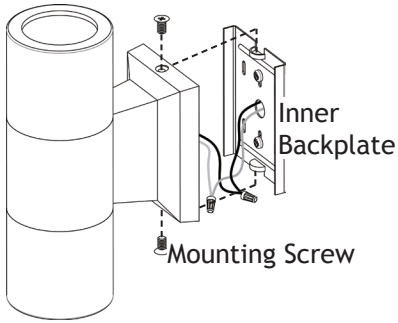
## 5 Wire Connection



Using two wire connectors, not provided, connect supply wires from fixture to main low voltage supply cable leads.



## 6 Install Luminaire Body



Carefully tuck all wires into the backplate. Attach backplate of luminaire body over inner backplate. Secure by threading mounting screws onto top and bottom of the luminaire body.

## Maintenance - Install/Replace Lamp

Screw lens assembly off luminaire body to expose the lamp and replace it with correct wattage and type marked on luminaire label. Reinstall lens assembly.

**IMPORTANT:** Halogen lamps must be protected from moisture and dust at all times. Always re-install shade and lens when moved.



**Help Hotline:**

**1-813-978-3700 • Mon-Fri 8am-8pm • Sat-Sun 10am - 6pm (EST)**

[www.voltlighting.com](http://www.voltlighting.com)

Specifications and product details subject to change without notice.  
© Copyright 2014 , VOLT® Lighting, Lutz, FL USA 33549 • All rights reserved  
customersupport@voltlighting.com • 813.978.3700