

# INSTALLATION INSTRUCTIONS



## VOLT® Low Voltage Landscape Lighting

The Original VOLT® G@ Rotatable/ Pivoting Brass Hardscape Light

VHS-6720-X-BBZ-R1

### Help Hotline:

1-813-978-3700 • Mon-Fri 8am-8pm • Sat-Sun 10am - 6pm (EST)

Specifications and product details subject to change without notice.

© Copyright 2022, VOLT® Lighting, Lutz FL USA 33549 • All rights reserved. [customersupport@voltlighting.com](mailto:customersupport@voltlighting.com) • 813.978.3700



**! Important: Please Read Before Installation**

This fixture is intended for installation in accordance with local codes and the National Electric Code (NEC). Failure to adhere to these codes and instructions may result in serious injury, property damage and void the warranty.

These instructions do not intend to cover all variations in installation, operation maintenance or mounting situations.

1. Make sure that the power is turned OFF before installing or servicing this fixture.
2. Warning: this fixture is not intended to be installed within 10 feet [3 meters] of a pool, spa or fountain.
3. This fixture is intended to be used only with a power supply (transformer) rated maximum of 300 watts (25 AMPS) at 15 volts.
4. Underground Low Energy Cable must not be buried over 6" (15.2 cm) in order to connect to the main low voltage cable.
5. Wiring connections must be made with UL listed wire connectors that are suitable for outdoor use.
6. Position the wire connector so that it is located within 6 inches (15.2 cm) from a building structure, a luminaire, or fitting.

**! Important Safety Instructions**

**LIGHTED LAMP IS HOT!**

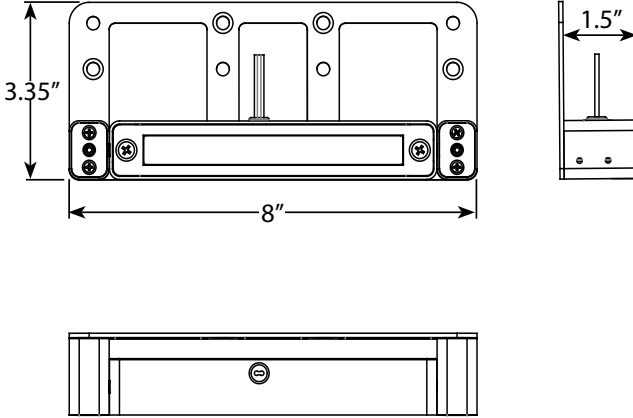
**WARNING - TO REDUCE THE RISK OF FIRE OR INJURY TO PERSONS.**

1. Turn off/unplug and allow to cool before reducing lamp.
2. Lamp gets HOT quickly!
3. Do not touch the hot lens, guard or cowl.
4. Keep lamp away from materials that may burn.
5. Do not touch lamp at any time.
6. Use a soft cloth.
7. Oil from skin may damage lamp.
8. Do not operate the fixture with a damaged or missing lens or shield.

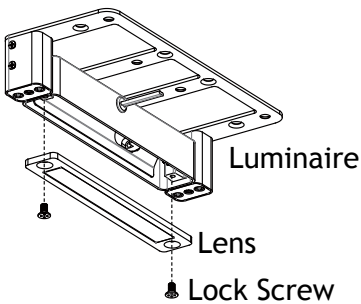
## Package Contents

A. (1) Fixture Body

## Product Dimensions



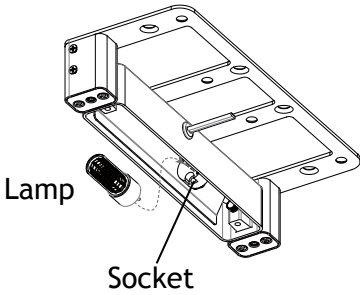
## 1 Remove Lens



Remove the lens from the luminaire by loosening the lock screws.



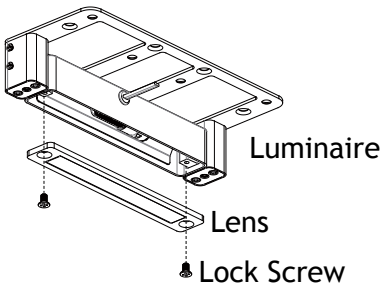
## 2 Install Lamp



Insert lamp with the correct wattage and type marked on the fixture label and push firmly into place.

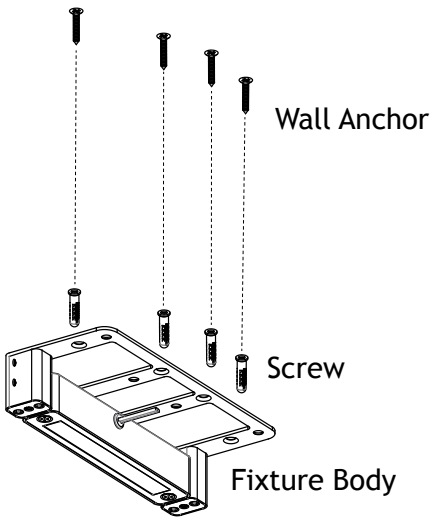
**CAUTION:** Do not exceed maximum wattage marked on luminaire label.

## 3 Install Lens



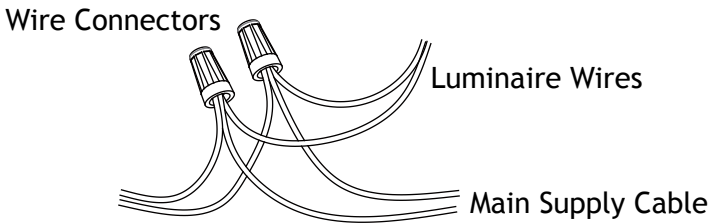
Install the lens back onto the luminaire and tighten with previously removed lock screws.

## 4 Install Fixture to Mounting Surface



Place the fixture body onto the desired location. Mark four points on the mounting surface using the holes of the mount as a guide. Set the fixture aside and drill the proper holes where you placed the marks then insert the wall anchors into the drilled holes. Place the fixture onto the surface and secure with screws using a screwdriver.

## 5 Wire Connection

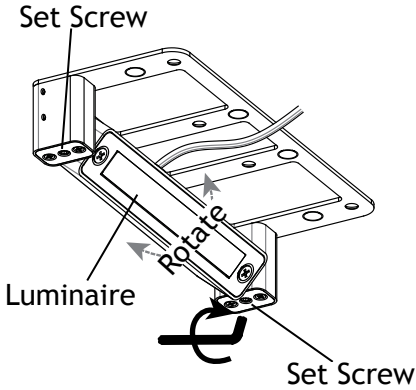


Strip both leads from the luminaire pigtail. Using two wire connectors (sold separately), connect the leads from the luminaire to the main supply cable leads.



The Original VOLT® G@ Rotatable/ Pivoting Brass Hardscape Light  
VHS-6720-X-BBZ-R1

## 6 Adjust Luminaire Direction



Using an Allen Key, loosen the set screws on the side of the fixture to rotate the luminaire to your desired direction by hand. Once you have the desired angle, tighten down the set screws with the Allen Key.

## Product Dimensions

Remove the lens to expose the lamp and replace it with the correct wattage and type marked on the fixture label. Then, reinstall the lens.

**IMPORTANT:** Lamps must be protected from moisture and dust at all times. Always reinstall the lens when removed.





**Help Hotline:**

**1-813-978-3700 • Mon-Fri 8am-8pm • Sat-Sun 10am - 6pm (EST)**

[www.voltlighting.com](http://www.voltlighting.com)

Specifications and product details subject to change without notice.

© Copyright 2022, VOLT® Lighting, Lutz FL USA 33549 • All rights reserved. [customersupport@voltlighting.com](mailto:customersupport@voltlighting.com) • 813.978.3700

is-VHS-6720-X-BBZ-R1-ver1.pdf