

INSTALLATION INSTRUCTIONS



VOLT® Low Voltage Landscape Lighting Regal LED Path/Area Light VPL-1012

Help Hotline:

1-813-978-3700 • Mon-Fri 8am-8pm • Sat-Sun 10am - 6pm (EST)

Specifications and product details subject to change without notice.
© Copyright 2014, VOLT® Lighting, Lutz FL USA 33549 • All rights reserved.
customersupport@voltlighting.com • 813.978.3700



! Important: Please Read Before Installation

This luminaire is intended for installation in accordance with local codes and the National Electric Code (NEC). Failure to adhere to these codes and instructions may result in serious injury, property damage and void the warranty.

These instructions do not intend to cover all variations in installation, operation maintenance or mounting situation.

1. Make sure that the power is turned OFF before installing or servicing this luminaire.
2. **WARNING:** risk of electrical shock. Install all luminaires 10 feet (3.05M) or more from pool, spa or fountain.
3. This luminaire is intended to be used only with a power supply (transformer) rated maximum of 300 watts (25 AMPS) at 15 volts.
4. Wiring connections must be made with wire connectors that is suitable for outdoor use.
5. Position the low voltage wire and wire connector so that it is located within 6 inches (15.2 cm) from a building structure, a luminaire or fitting.
6. The main low voltage cable is intended for shallow burial - less than 6 inches (152 mm)
7. If additional lengths of low voltage cable is required, please contact www.voltlighting.com or call 1-813-978-3700.

! IMPORTANT SAFETY INSTRUCTIONS

INSTRUCTIONS PERTAINING TO A RISK OF FIRE, OR INJURY TO PERSONS
Lighted lamp is HOT!

WARNING - To reduce the risk of FIRE OR INJURY TO PERSONS.

1. Turn off/unplug and allow to cool before replacing lamp.
2. Lamp gets HOT quickly! Contact only switch/plug when turning on.
3. Do not touch the hot lens, guard or enclosure.
4. Keep lamp away from materials that may burn.
5. Do not touch lamp at any time. Use a soft cloth. Oil from skin may damage lamp.
6. Do not operate the luminaire fitting with a missing or damage shield.

SAVE THESE INSTRUCTIONS

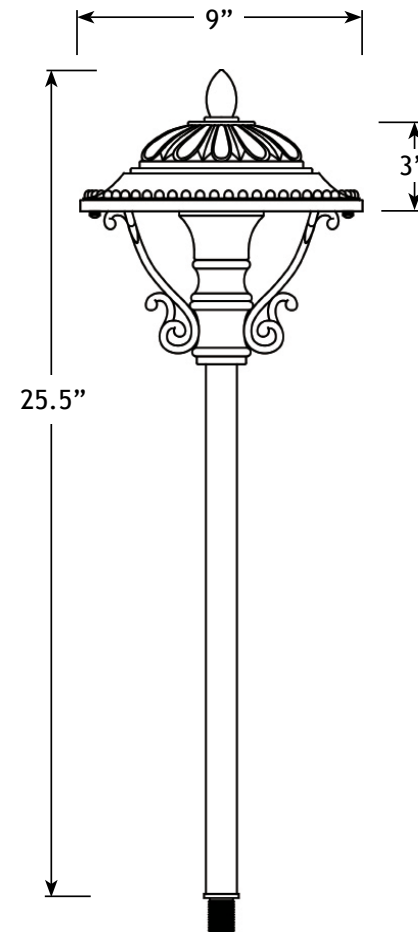
Package Contents

- | | |
|---------------------|--------------------|
| A. (1) Fixture Body | C. (1) Inner Shade |
| B. (1) Fixture Hood | D. (1) Stake |

Parts Required

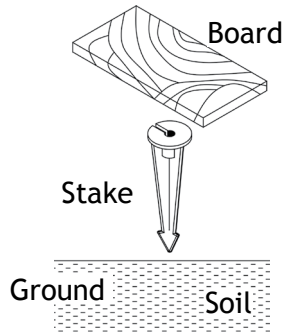
- A. (1) LED lamp

Product Dimensions





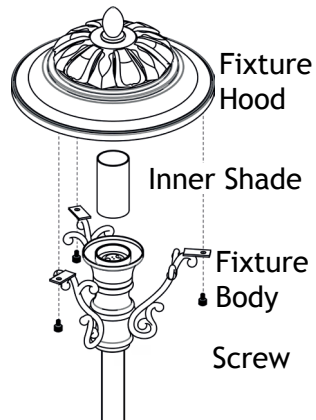
1 Install Stake



Determine desired location for mounting luminaire. Hammer stake into ground until flange of stake is flush to grade. To avoid damage to stake, place a board on top of stake while hammering.

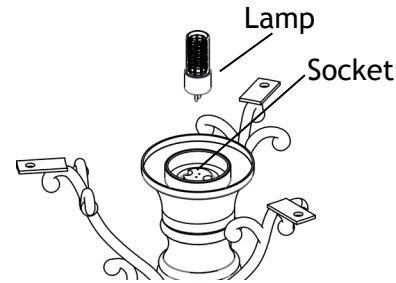
NOTE: If ground is hard and stake is difficult to install, make a crosscut in ground using a flat shovel.

2 Remove Fixture Hood and Inner Shade



Remove the fixture hood from the fixture body by unscrewing screws. Pull the inner shade out of its holder.

3 Install Lamp

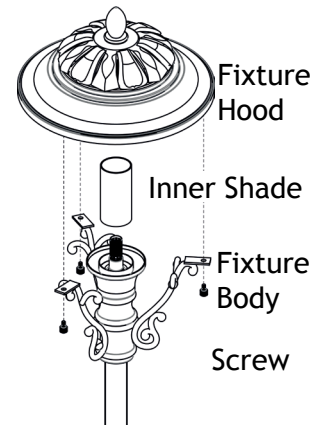


Insert bulb with correct wattage and type marked on fixture label.

CAUTION: Do not exceed maximum wattage marked on luminaire label.

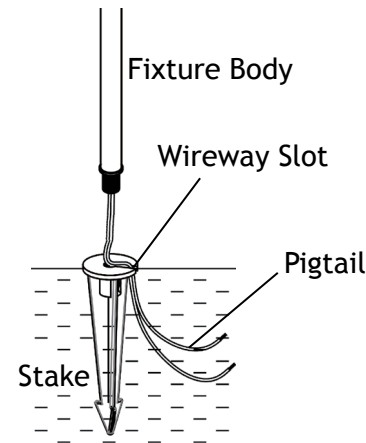
NOTE: DO NOT touch bulb with bare hands. Use soft cloth to handle bulb.

4 Install Fixture Hood and Inner Shade



Push the inner shade onto the holder and seat it well. Place the fixture hood back onto the fixture body and secure with the screws previously removed. Hand tighten until snug.

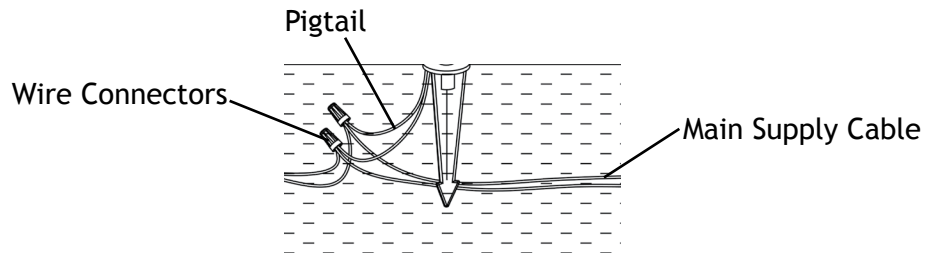
5 Install Fixture Body to Stake



Clear away area in ground at wireway slot in top of stake. Lay luminaire pigtail into wireway slot and screw stem into stake. If assembly does not look straight, adjust by pushing or pulling on stake only. Use bubble level against side of stem to make sure stem is perpendicular to ground.



6 Wire Connection



Strip two leads from luminaire pigtail. Using two wire connectors, sold separately, connect leads from luminaire to main low voltage supply cable leads.

Install/Replace Bulb

Please reverse Step 4 - Step 2 to expose the Lamp and replace it with correct wattage and type marked on fixture label. Reinstall Diffuser.

IMPORTANT: LED Lamp must be protected from moisture and dust at all times. Always re-install diffuser when moved.



Help Hotline:

1-813-978-3700 • Mon-Fri 8am-8pm • Sat-Sun 10am - 6pm (EST)

www.voltlighting.com

Specifications and product details subject to change without notice.

© Copyright 2014, VOLT® Lighting, Lutz FL USA 33549 • All rights reserved. customersupport@voltlighting.com • 813.978.3700