

INSTALLATION INSTRUCTIONS



VOLT® Low Voltage Landscape Lighting

VOLT® Ground Hog Well Light

VWL-500-4-PBK

Help Hotline:

1-813-978-3700 • Mon-Fri 8am-8pm • Sat-Sun 10am - 6pm (EST)

Specifications and product details subject to change without notice.
© Copyright 2019, VOLT® Lighting, Lutz FL USA 33549 • All rights reserved.
customersupport@voltlighting.com • 813.978.3700

INSTALLATION INSTRUCTIONS



VOLT® Ground Hog Well Light
VWL-500-4-PBK

Important: Please Read Before Installation

This luminaire is intended for installation in accordance with local codes and the National Electric Code (NEC). Failure to adhere to these codes and instructions may result in serious injury, property damage and void the warranty.

These instructions do not intend to cover all variations in installation, operation maintenance or mounting situations.

1. Make sure that the power is turned OFF before installing or servicing this luminaire.
2. **WARNING:** risk of electrical shock. Install all luminaires 10 feet (3.05M) or more from pool, spa or fountain.
3. This luminaire is intended to be used only with a power supply (transformer) rated maximum of 300 watts (25 AMPS) at 15 volts.
4. Wiring connections must be made with UL listed wire connectors that are suitable for outdoor use.
5. Position the low voltage wire and wire connector so that it is located within 6 inches (15.2 cm) from a building structure, a luminaire or fitting.
6. The main low voltage cable is intended for shallow burial - less than 6 inches (152 mm)
7. If additional lengths of low voltage cable is required, please contact www.voltlighting.com or call 1-813-978-3700.

Important Safety Instructions

INSTRUCTIONS PERTAINING TO A RISK OF FIRE, OR INJURY TO PERSONS Lighted lamp is HOT!

WARNING - To reduce the risk of FIRE OR INJURY TO PERSONS.

1. Turn off/unplug and allow to cool before replacing lamp.
2. Lamp gets HOT quickly! Contact only switch/plug when turning on.
3. Do not touch the hot lens, guard or enclosure.
4. Keep lamp away from materials that may burn.
5. Do not touch lamp at any time. Use a soft cloth. Oil from skin may damage lamp.
6. Do not operate the luminaire fitting with a missing or damage shield.

SAVE THESE INSTRUCTIONS

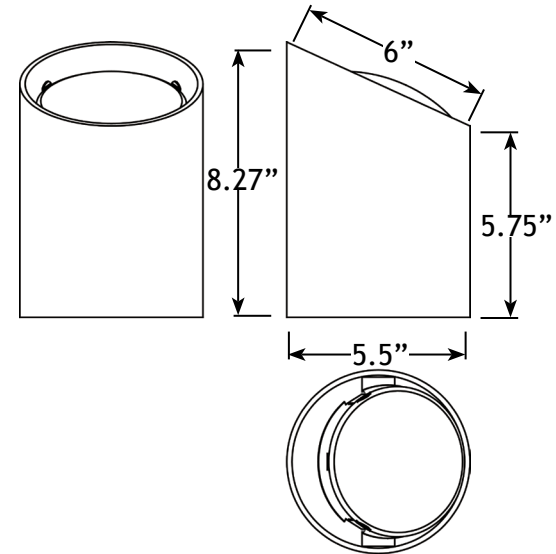
Package Contents

- | | |
|--------------------|---------------|
| A. (1) Tube | D. (2) Screws |
| B. (1) Lamp Holder | E. (2) Nuts |
| C. (1) "U" bracket | |

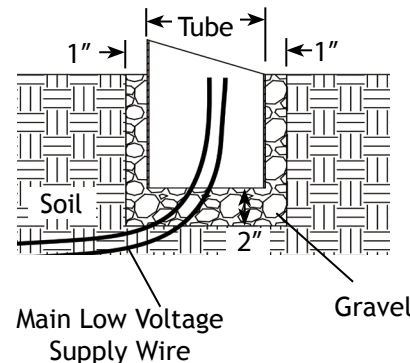
Parts Required

- | | |
|-------------------------------------|---|
| A. (1) PAR36 Lamp (sold separately) | B. (1) Debris Cover (glass + louvers) (sold separately, optional) |
|-------------------------------------|---|

Product Dimensions



1 Install Tube

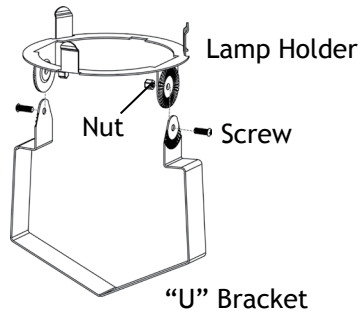


Dig a 6.5" diameter, 8" deep hole in the ground. Run the main low voltage supply wires to the hole.

Place 2" of gravel in the bottom of the hole for proper drainage. Place the tube inside of the hole and add the additional gravel around the tube sides.

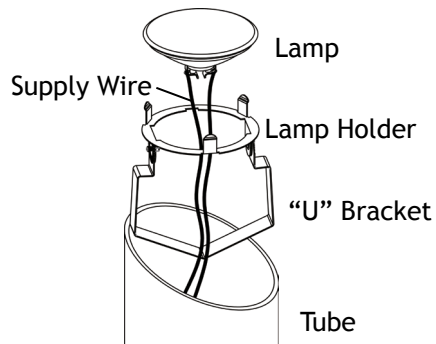


2 Install Lamp Holder



Attach the lamp holder onto the “U” bracket by lining up the holes, then pass the screws through the holes and secure with the provided nuts.

3 Install Lamp



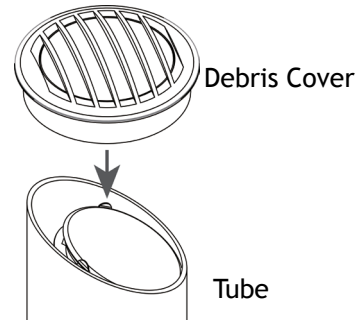
Use the PAR36 lamp with the correct wattage and type marked on the fixture label.

Pass the supply wires through the center of the lamp holder. Connect the supply wires to the bottom of the lamp. Snap the lamp onto the lamp holder and then push the “U” bracket with the lamp into the tube.

CAUTION: Do not exceed maximum wattage marked on luminaire label.

NOTE: DO NOT touch lamp with bare hands. Use soft cloth to handle lamp.

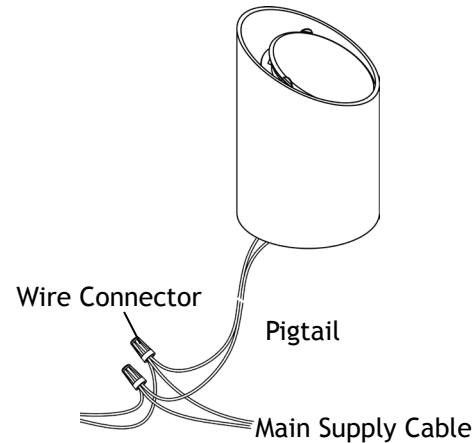
4 Install Debris Cover (optional)



Attach the debris cover onto the top end of the tube if necessary.

NOTE: Debris cover is not for use with 50 watt halogen lamps.

5 Wire Connection



Strip both leads from the luminaire pigtail. Using two wire connectors (sold separately), connect the leads from the luminaire to the main supply cable leads.

Install/Replace Lamp

Please reverse Step 3 - Step 4 to expose the lamp and replace it with the correct wattage and type marked on the fixture label. Reinstall the debris cover if necessary.



Help Hotline:

1-813-978-3700 • Mon-Fri 8am-8pm • Sat-Sun 10am - 6pm (EST)

www.voltlighting.com

Specifications and product details subject to change without notice.
© Copyright 2019, VOLT® Lighting, Lutz FL USA 33549 • All rights reserved.
customersupport@voltlighting.com • 813.978.3700