

## **INSTALLATION & MAINTENANCE GUIDE**

### **AMP® LOW VOLTAGE LANDSCAPE LIGHTING**

AMP® EquaPro Wall Wash

**ITEM: AAL-1014**

1-813-978-3900 • Mon-Fri 9am-6pm (EST)

**! IMPORTANT SAFETY INSTRUCTIONS: READ BEFORE INSTALLATION**

This luminaire is intended for installation in accordance with local codes and the National Electric Code (NEC). Failure to adhere to these codes and instructions may result in serious injury, property damage and void the warranty.

These instructions do not intend to cover all variations in installation, operation maintenance or mounting situations.

1. Make sure the power is turned OFF before installing or servicing this luminaire.
2. **WARNING:** risk of electrical shock. Install all luminaires 10 feet (3.05M) or more from pool, spa or fountain.
3. This luminaire is intended to be used only with a power supply (transformer) rated maximum of 300 watts (25 AMPS) at 15 volts.
4. Wiring connections must be made with wire connectors that are suitable for outdoor use.
5. Position the low voltage wire and wire connector so that it is located within 6 inches (15.2 cm) from a building structure, a luminaire or fitting.
6. The main low voltage cable is intended for shallow burial - less than 6 inches (152 mm).
7. If additional lengths of low voltage cable are required, please contact [www.amplighting.com](http://www.amplighting.com) or call 1-813-978-3900.

**! IMPORTANT SAFETY INSTRUCTIONS****INSTRUCTIONS PERTAINING TO A RISK OF FIRE, OR INJURY TO PERSONS**  
**LIGHTED LAMP IS HOT!**

**WARNING** – To reduce the risk of FIRE OR INJURY TO PERSONS.

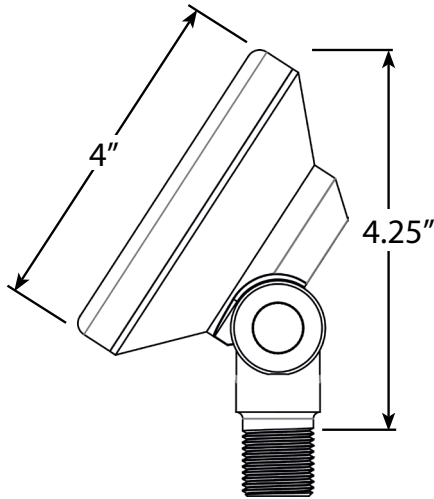
1. Turn off/unplug and allow to cool before replacing lamp.
2. Lamp gets HOT quickly! Contact only switch/plug when turning on.
3. Do not touch the hot lens, guard or enclosure.
4. Keep lamp away from materials that may burn.
5. Do not touch lamp at any time. Use a soft cloth. Oil from skin may damage lamp.
6. Do not operate the luminaire fitting with a missing or damaged shield.

**SAVE THESE INSTRUCTIONS**

## PACKAGE CONTENTS

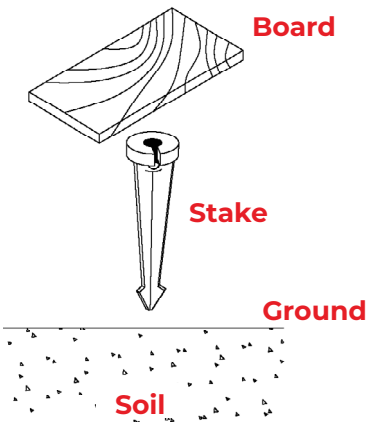
A. (1) Fixture Body

## PRODUCT DIMENSIONS



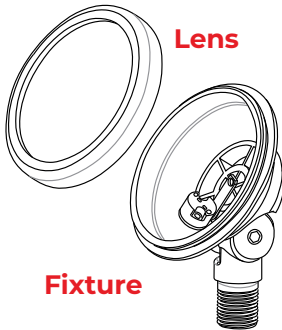
1

## INSTALL STAKE

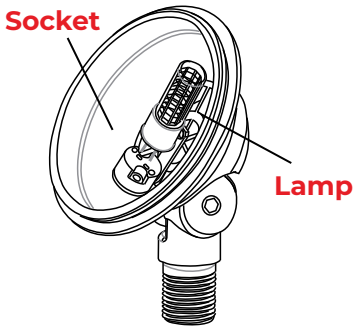


Determine the desired location for mounting the stake mount. Hammer the stake into the ground until flange of stake is flush to grade. To avoid damage to the stake, place a board on top of the stake while hammering.

Note: If the ground is hard and the stake is difficult to install, make a crosscut in the ground using a flat shovel.

**2 REMOVE LENS**

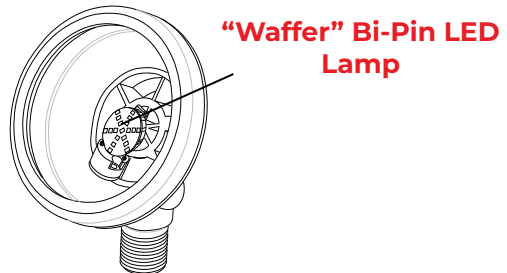
Loosen the lens and remove it from the luminaire.

**3 INSTALL LAMP**

Insert the lamp with the correct wattage and type marked on the luminaire label.

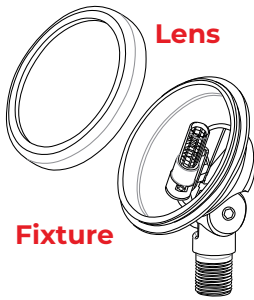
**CAUTION:** Do not exceed maximum wattage marked on luminaire label.

**NOTE:** DO NOT touch lamp with bare hands. Use soft cloth to handle lamp.



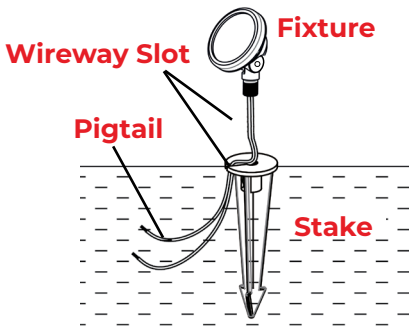
**NOTE:** "Wafer" bi-pin LED lamp also can be used for this luminaire.

## 4 INSTALL LENS



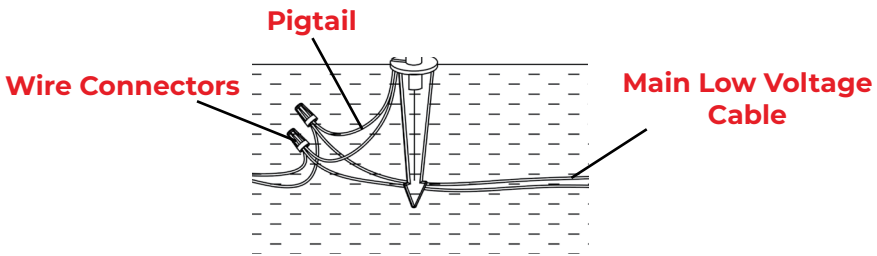
Thread the lens back onto the luminaire and hand tighten until snug.

## 5 INSTALL FIXTURE TO STAKE



Clear away an area in the ground at the wireway slot on top of the stake. Align the wireway slot on the base of the stake. Lay the luminaire pigtail into the wireway slot and screw the luminaire onto the stake. Tighten until snug to secure the base.

## 6 WIRE CONNECTION



Strip both leads from the luminaire pigtail. Using two wire connectors (sold separately), connect the leads from the luminaire to the main low voltage supply cable leads.

**INSTALL/REPLACE LAMP**

Remove the lens to expose the Bi-Pin and replace it with the correct wattage and type marked on the fixture label. Then, reinstall the lens.

**IMPORTANT:** Bi-Pin must be protected from moisture and dust at all times. Always reinstall the lens when removed.





1-813-978-3700 · Mon-Fri 9am-6pm (EST)

Specifications and product details subject to change without notice.  
© Copyright 2023, AMP® Lighting, Lutz FL USA 33549 · All rights reserved.  
[customersupport@amplighting.com](mailto:customersupport@amplighting.com) · [amplighting.com](http://amplighting.com)