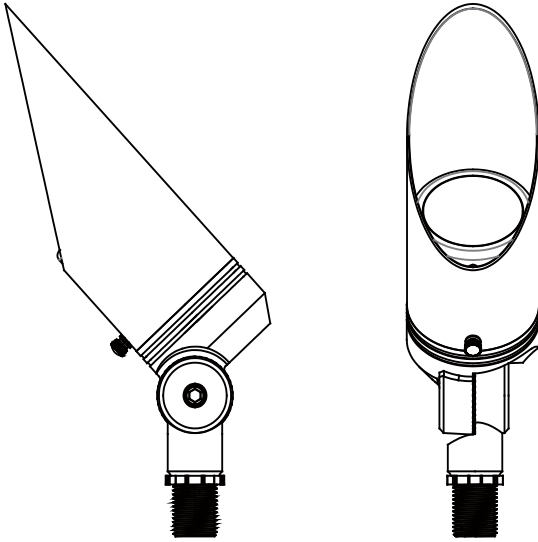


AMP®



INSTALLATION & MAINTENANCE GUIDE

AMP® LOW VOLTAGE LANDSCAPE LIGHTING

AMP® PinnaclePro Downlight (Lamp Ready)

ITEM: AAL-1016

1-813-978-3900 • Mon-Fri 9am-6pm (EST)

! IMPORTANT SAFETY INSTRUCTIONS: READ BEFORE INSTALLATION

This luminaire is intended for installation in accordance with local codes and the National Electric Code (NEC). Failure to adhere to these codes and instructions may result in serious injury, property damage and void the warranty.

These instructions do not intend to cover all variations in installation, operation maintenance or mounting situations.

1. Make sure the power is turned OFF before installing or servicing this luminaire.
2. **WARNING:** risk of electrical shock. Install all luminaires 10 feet (3.05M) or more from pool, spa or fountain.
3. This luminaire is intended to be used only with a power supply (transformer) rated maximum of 300 watts (25 AMPS) at 15 volts.
4. Wiring connections must be made with UL listed wire connectors that are suitable for outdoor use.
5. Position the low voltage wire and wire connector so that it is located within 6 inches (15.2 cm) from a building structure, a luminaire or fitting.
6. The main low voltage cable is intended for shallow burial - less than 6 inches (152 mm).
7. If additional lengths of low voltage cable are required, please contact www.amplighting.com or call 1-813-978-3900.

! IMPORTANT SAFETY INSTRUCTIONS**INSTRUCTIONS PERTAINING TO A RISK OF FIRE, OR INJURY TO PERSONS****LIGHTED LAMP IS HOT!**

WARNING – To reduce the risk of FIRE OR INJURY TO PERSONS.

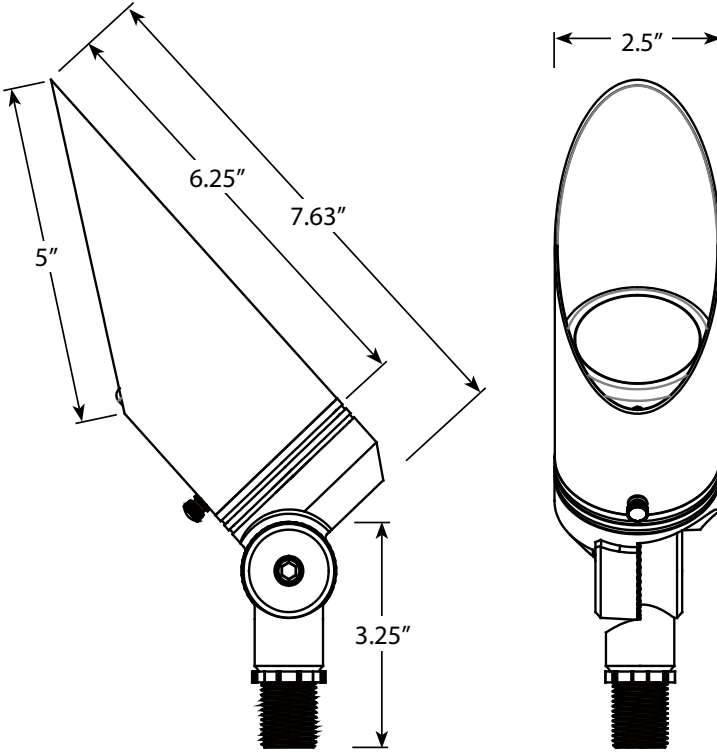
1. Turn off/unplug and allow to cool before replacing lamp.
2. Lamp gets HOT quickly! Contact only switch/plug when turning on.
3. Do not touch the hot lens, guard or enclosure.
4. Keep lamp away from materials that may burn.
5. Do not touch lamp at any time. Use a soft cloth. Oil from skin may damage lamp.
6. Do not operate the luminaire fitting with a missing or damaged shield.

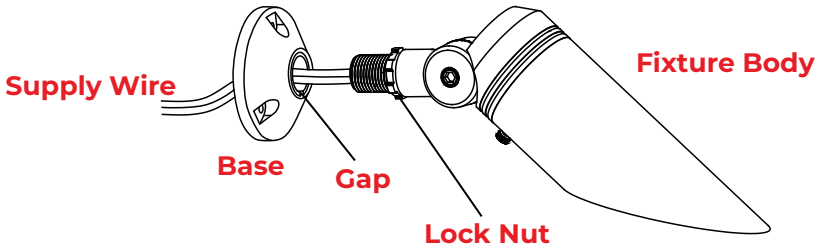
SAVE THESE INSTRUCTIONS

PACKAGE CONTENTS

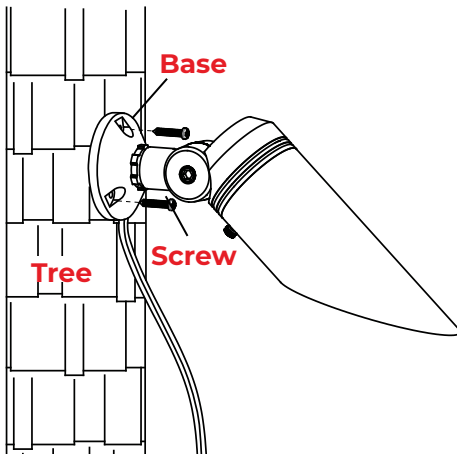
- A. (1) Fixture Body
- B. (1) Glare Guard
- C. (1) Allen Key

PRODUCT DIMENSIONS



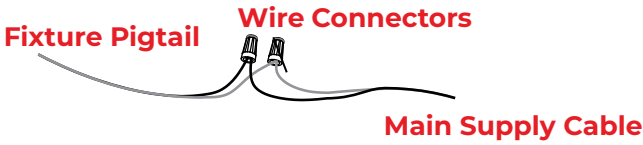
1 **INSTALL FIXTURE TO BASE**

Place the supply wire through the base and thread the base onto the fixture body. Make sure the gap on the base and the fixture body are in the same direction. Tighten the lock nut against the base.

2 **INSTALL BASE**

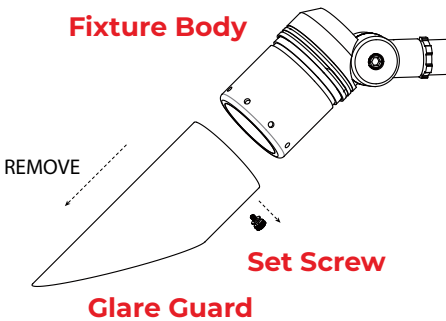
Pull the supply wire through the gap on the base. Attach the base onto the tree by securing with the screws. Tighten with a screwdriver.

3 WIRE CONNECTION



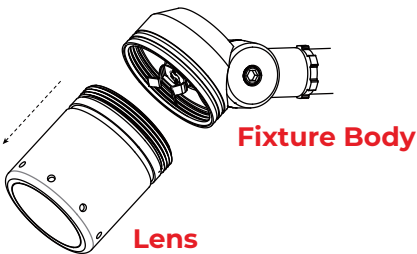
Strip both leads from the luminaire pigtail. Using two wire connectors (sold separately), connect the leads from the luminaire to the main supply cable leads.

4 REMOVE GLARE GUARD

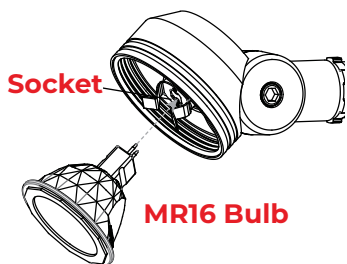


Loosen the set screw and remove the glare guard from the fixture body.

5 REMOVE LENS

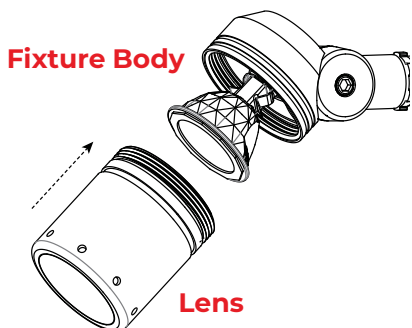


Rotate the lens to remove it from the fixture body.

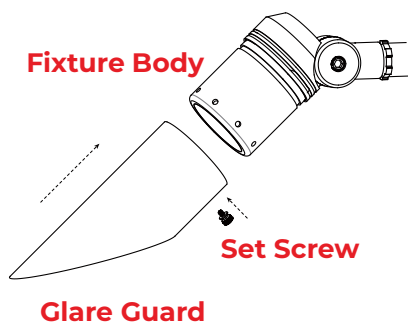
6 INSTALL MR16 BULB

Insert the MR16 bulb with the correct wattage and type marked on the fixture label and secure into place.

CAUTION: Do not exceed maximum wattage marked on luminaire label.

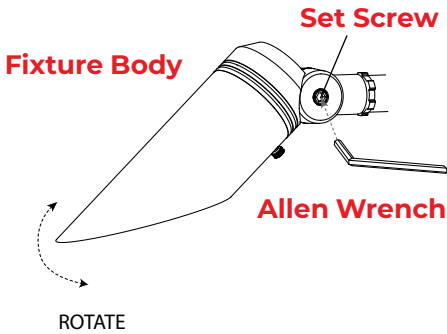
7 INSTALL LENS

Place the lens back onto the fixture body and rotate it until it is secured properly.

8 INSTALL GLARE GUARD

Install the glare guard back onto the fixture body and secure with previously removed set screw. Hand tighten until snug.

9 ADJUST LE



By using an Allen wrench, loosen the set screw on the knuckle and adjust the fixture body to the desired direction. Once the desired direction is achieved, tighten the set screw to secure.

INSTALL/REPLACE LAMP

Remove the glare guard and the lens to expose the MR16 lamp and replace it with the correct wattage and type marked on the fixture label. Then, reinstall the lens and the glare guard.

IMPORTANT: MR16 lamp must be protected from moisture and dust at all times. Always reinstall the lens and the glare guard when removed.



1-813-978-3700 · Mon-Fri 9am-6pm (EST)

Specifications and product details subject to change without notice.
© Copyright 2023, AMP® Lighting, Lutz FL USA 33549 · All rights reserved.
customersupport@amplighting.com · amplighting.com