

INSTALLATION & MAINTENANCE GUIDE

AMP[®] Lighting

AMP[®] Low Voltage Landscape Lighting

AMP[®] One Spotlights

AAL-11xx Series

Help Hotline:

1-813-978-8066 • Mon-Fri 8am-8pm • Sat-Sun 10am-6pm (EST)

www.amplighting.com

 **Important: Please Read Before Installation**

This luminaire is intended for installation in accordance with local codes and the National Electric Code (NEC). Failure to adhere to these codes and instructions may result in serious injury, property damage and void the warranty.

These instructions do not intend to cover all variations in installation, operation maintenance or mounting situation.

1. Make sure that the power is turned OFF before installing or servicing this luminaire.
2. **WARNING:** risk of electrical shock. Install all luminaires 10 feet (3.05M) or more from pool, spa or fountain.
3. This luminaire is intended to be used only with a power supply (transformer) rated maximum of 300 watts (25 AMPS) at 15 volts.
4. Wiring connections must be made with wire connectors that is suitable for outdoor use.
5. Position the low voltage wire and wire connector so that it is located within 6 inches (15.2 cm) from a building structure, a luminaire or fitting.
6. The main low voltage cable is intended for shallow burial - less than 6 inches (152 mm)

 **Important: Safety Instructions****INSTRUCTIONS PERTAINING TO A RISK OF FIRE, OR INJURY TO PERSONS
Lighted lamp is HOT!**

WARNING - To reduce the risk of FIRE OR INJURY TO PERSONS.

1. Turn off/unplug and allow to cool before replacing lamp.
2. Lamp gets HOT quickly! Contact only switch/plug when turning on.
3. Do not touch the hot lens, guard or enclosure.
4. Keep lamp away from materials that may burn.
5. Do not touch lamp at any time. Use a soft cloth. Oil from skin may damage lamp.
6. Do not operate the luminaire fitting with a missing or damage shield.

SAVE THESE INSTRUCTIONS

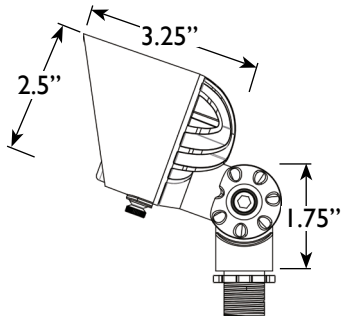
Package Contents

- A. (1) Fixture
- B. (1) Stake

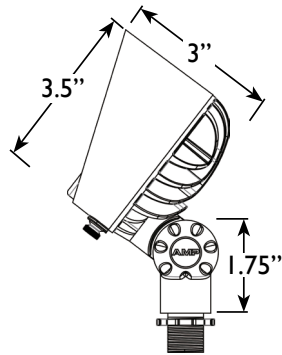
Parts Required (Sold Separately)

- A. (1) Design-Master Remote Control™

Product Dimensions



AAL-1123

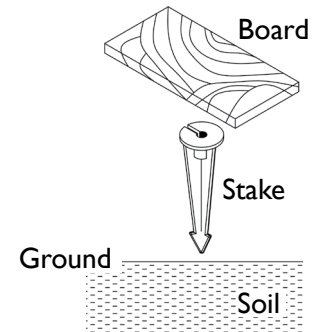


AAL-1133 & AAL-1136

INSTALLATION & MAINTENANCE GUIDE

AMP® AMP® One Spotlights
AAL-11xx Series

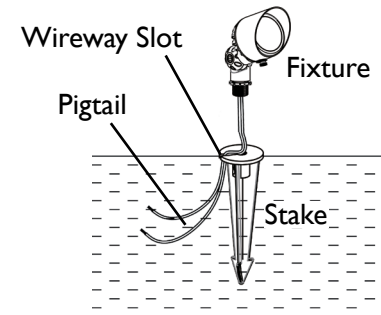
1 Install Stake



Determine the desired location for mounting the fixture. Hammer the stake into ground until the flange of the stake is flush to grade. To avoid damage to stake, place a board on top of stake while hammering.

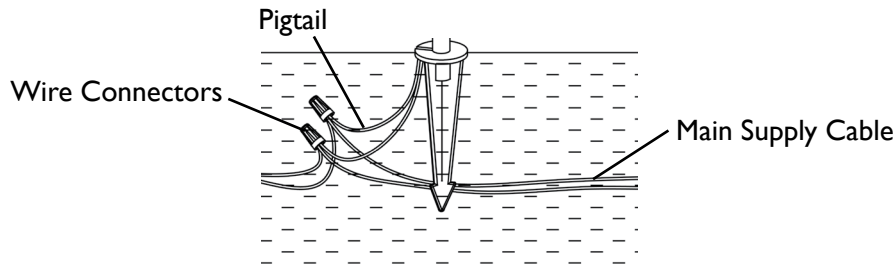
NOTE: If ground is hard and stake is difficult to install, make a crosscut in ground using a flat shovel.

2 Install Fixture to Stake



Clear away area in ground at wireway slot in top of stake. Lay luminaire pigtail into wireway slot and screw fixture into stake. Tighten until snug.

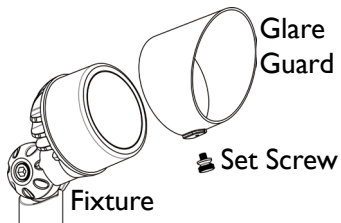
3 Wire Connection



Strip both leads from luminaire pigtail. Using two wire connectors (Sold Separately), connect leads from luminaire to main supply cable leads.

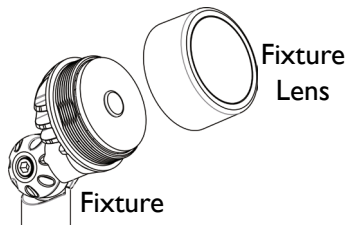
Install/Replace Optic

1 Remove Glare Guard



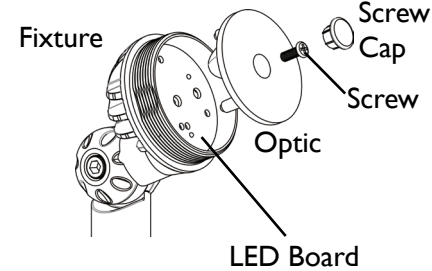
Unscrew set screw and remove glare guard from fixture.

2 Remove Outer Ring



Unscrew the fixture lens and remove it from the fixture.

3 Replace Optic



Remove screw cap at the center of optic. Unscrew screw, and remove optic from fixture.

Install new optic in fixture and reverse Step 3 - Step 1, putting parts back to reinstall removed parts. Make sure that you have the optic properly aligned over LED board before tightening down. Improper alignment when tightening the screw can cause the optic to break.

AMP[®] Lighting

Help Hotline:

1-813-978-8066 • Mon-Fri 8am-8pm • Sat-Sun 10am-6pm (EST)

Specifications and product details subject to change without notice.
© Copyright 2014, AMP[®] Lighting, Lutz FL USA 33549 • All rights reserved.
customersupport@AMPLighting.com • 813.978.8066

www.amplighting.com

is-AAL-11xx-ver1b.pdf