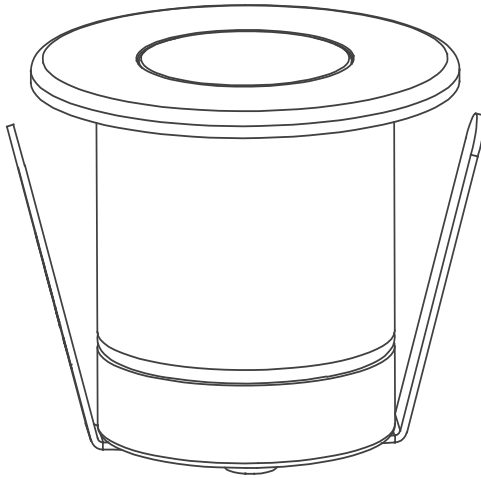


# AMP®



## **INSTALLATION & MAINTENANCE GUIDE**

**AMP® LOW VOLTAGE LANDSCAPE LIGHTING**

AMP® RGBW Mini LED In-Grade Light (Integrated)

**ITEM: AHS-7014**

1-813-978-3900 • Mon-Fri 9am-6pm (EST)

**! IMPORTANT SAFETY INSTRUCTIONS: READ BEFORE INSTALLATION**

This luminaire is intended for installation in accordance with local codes and the National Electric Code (NEC). Failure to adhere to these codes and instructions may result in serious injury, property damage and void the warranty.

These instructions do not intend to cover all variations in installation, operation maintenance or mounting situations.

1. Make sure the power is turned OFF before installing or servicing this luminaire.
2. **WARNING:** risk of electrical shock. Install all luminaires 10 feet (3.05M) or more from pool, spa or fountain.
3. This luminaire is intended to be used only with a power supply (transformer) rated maximum of 300 watts (25 AMPS) at 15 volts.
4. Wiring connections must be made with UL listed wire connectors that are suitable for outdoor use.
5. Position the low voltage wire and wire connector so that it is located within 6 inches (15.2 cm) from a building structure, a luminaire or fitting.
6. The main low voltage cable is intended for shallow burial - less than 6 inches (152 mm).

**! IMPORTANT SAFETY INSTRUCTIONS****INSTRUCTIONS PERTAINING TO A RISK OF FIRE, OR INJURY TO PERSONS**  
**LIGHTED LAMP IS HOT!**

**WARNING** – To reduce the risk of FIRE OR INJURY TO PERSONS.

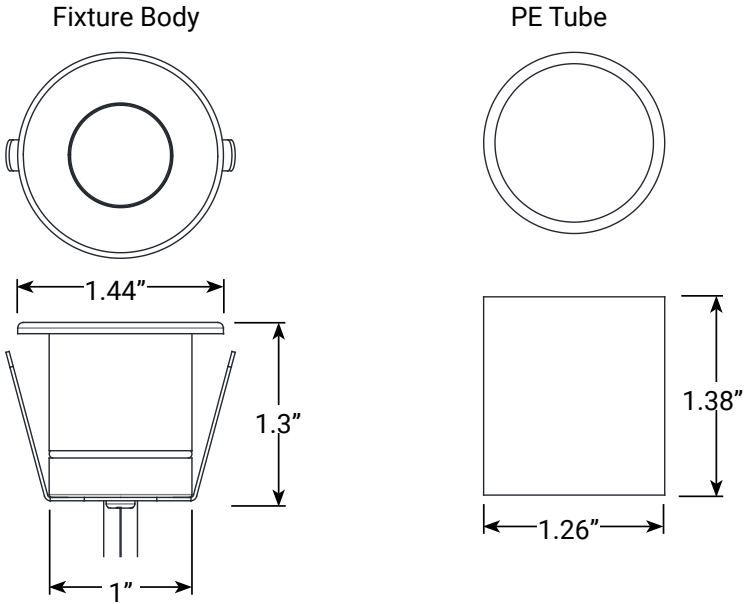
1. Turn off/unplug and allow to cool before replacing lamp.
2. Lamp gets HOT quickly! Contact only switch/plug when turning on.
3. Do not touch the hot lens, guard or enclosure.
4. Keep lamp away from materials that may burn.
5. Do not touch lamp at any time. Use a soft cloth. Oil from skin may damage lamp.
6. Do not operate the luminaire fitting with a missing or damaged shield.

**SAVE THESE INSTRUCTIONS**

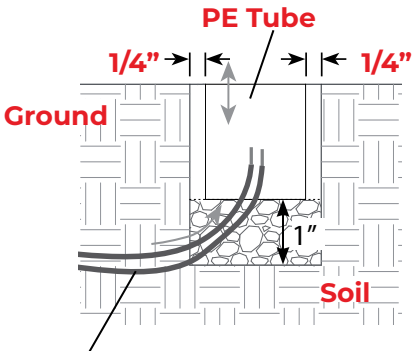
## PACKAGE CONTENTS

- A. (1) Fixture Body
- B. (1) PE Tube

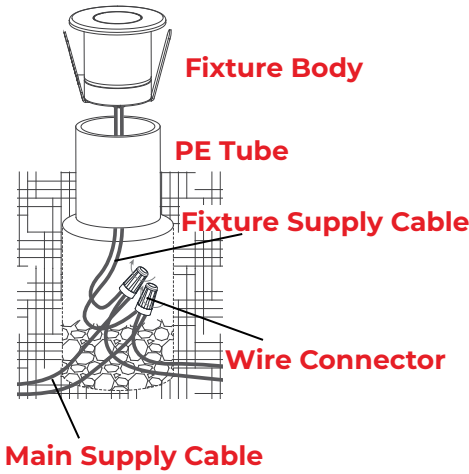
## PRODUCT DIMENSIONS



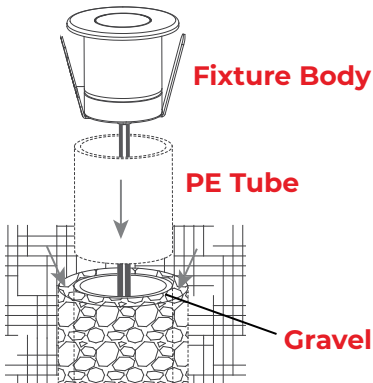
## 1 DIG HOLE AND FILL GRAVEL ON THE BOTTOM



Dig a 1.76" diameter, 2.38" depth hole in the ground. Place supply wires into the hole. Place 1" of gravel in the bottom of hole for proper drainage.

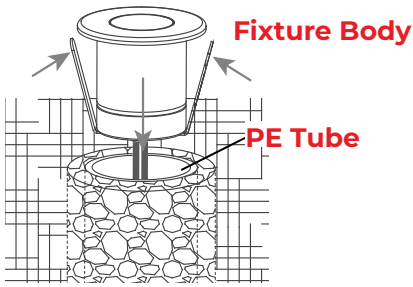
**2 WIRE CONNECTION**

Pass the fixture supply cable from the fixture body through the PE tube. Strip both leads from fixture supply cable. Using two UL listed wire connectors (sold separately), connect leads from fixture supply cable to main supply cable leads.

**3 WIRE CONNECTIONS**

Place the PE tube into the hole and fill gravel around the PE tube properly.

## 4 INSTALL FIXTURE BODY

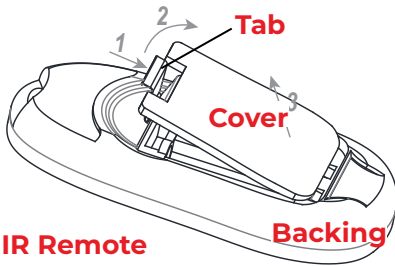


Push the fixture body into the PE tube until the flange of fixture body flush to the top of the PE tube.

## IR REMOTE (OPTIONAL)

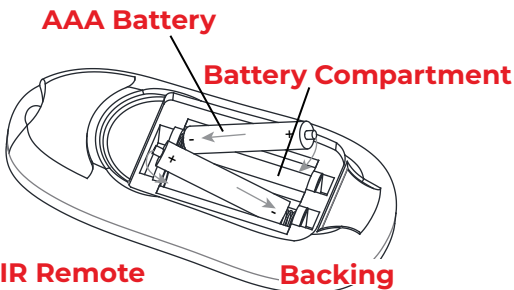
An IR Remote is optional for this fixture. The IR remote requires two AAA batteries.

### 1 REMOVE THE BATTERY COMPARTMENT COVER



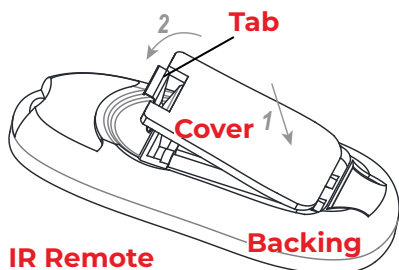
Press the tab and lift the battery compartment cover to remove it from the IR Remote.

### 2 INSTALL TWO AAA BATTERIES



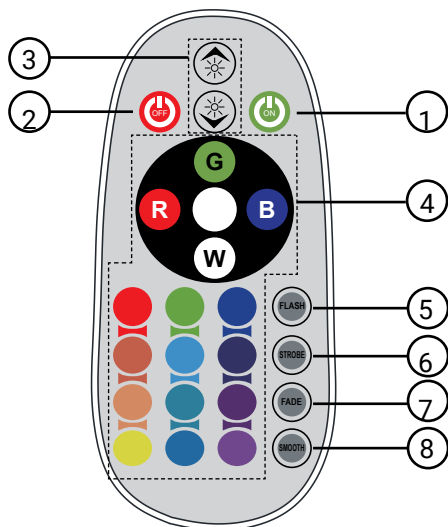
Place two AAA batteries into the battery compartment properly.

### 3 INSTALL THE BATTERY COMPARTMENT COVER



Place the battery compartment cover back onto the IR Remote.

### 4 IR REMOTE FUNCTIONS



1. On
2. Off
3. Brightness Control
4. 16 color selections
5. Flash

- ▶ Mode 1: Repeats Red, Green, Blue + color cycle for 1 second duration of each of the seven colors within this mode.
- ▶ Mode 2: Hit flash a second time and this mode slowly blends the same seven

colors from mode one, mixing them together.

6. Strobe

- ▶ Mode 1: Pick any color on the remote, then press strobe and that color will strobe every second alternating between on and off.
- ▶ Mode 2: Hit strobe a second time and this mode will strobe a blended

▶ white color at the same speed as before.

1. Fade

▶ Mode 1: Pick any color on the remote, then press fade and that color will slowly fade on and off every second.

▶ Mode 2: Hit fade a second time and it will fade a blended white color on and off at the same speed as before.

2. Smooth

▶ Mode 1: Repeats a flash cycle of Red, Green, and Blue only.

▶ Mode 2: Hit smooth a second time and this mode slowly blends Red, Green, and Blue only; on and off at the same speed.



1-813-978-3900 · Mon-Fri 9am-6pm (EST)

Specifications and product details subject to change without notice.  
© Copyright 2023, AMP® Lighting, Lutz FL USA 33549 · All rights reserved.  
[customersupport@amplighting.com](mailto:customersupport@amplighting.com) · [amplighting.com](http://amplighting.com)