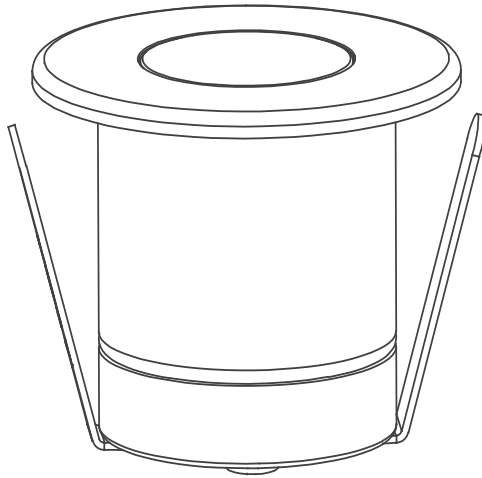


AMP®



INSTALLATION & MAINTENANCE GUIDE

AMP® LOW VOLTAGE LANDSCAPE LIGHTING

AMP® Micro Dot LED Light

ITEM: AHS-7022

1-813-978-3900 • Mon-Fri 9am-6pm (EST)

! IMPORTANT SAFETY INSTRUCTIONS: READ BEFORE INSTALLATION

This luminaire is intended for installation in accordance with local codes and the National Electric Code (NEC). Failure to adhere to these codes and instructions may result in serious injury, property damage and void the warranty.

These instructions do not intend to cover all variations in installation, operation maintenance or mounting situations.

1. Make sure the power is turned OFF before installing or servicing this luminaire.
2. **WARNING:** risk of electrical shock. Install all luminaires 10 feet (3.05M) or more from pool, spa or fountain.
3. This luminaire is intended to be used only with a power supply (transformer) rated maximum of 300 watts (25 AMPS) at 15 volts.
4. Wiring connections must be made with UL listed wire connectors that are suitable for outdoor use.
5. Position the low voltage wire and wire connector so that it is located within 6 inches (15.2 cm) from a building structure, a luminaire or fitting.
6. The main low voltage cable is intended for shallow burial - less than 6 inches (152 mm).

! IMPORTANT SAFETY INSTRUCTIONS**INSTRUCTIONS PERTAINING TO A RISK OF FIRE, OR INJURY TO PERSONS****LIGHTED LAMP IS HOT!**

WARNING – To reduce the risk of FIRE OR INJURY TO PERSONS.

1. Turn off/unplug and allow to cool before replacing lamp.
2. Lamp gets HOT quickly! Contact only switch/plug when turning on.
3. Do not touch the hot lens, guard or enclosure.
4. Keep lamp away from materials that may burn.
5. Do not touch lamp at any time. Use a soft cloth. Oil from skin may damage lamp.
6. Do not operate the luminaire fitting with a missing or damaged shield.

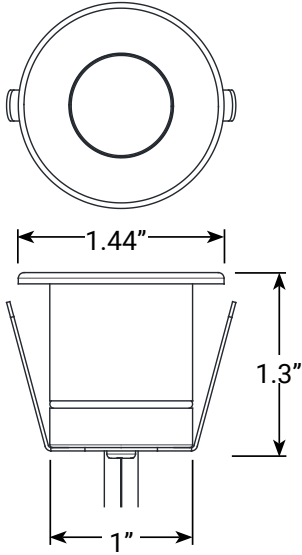
SAVE THESE INSTRUCTIONS

PACKAGE CONTENTS

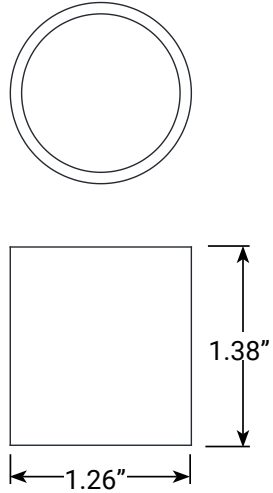
- A. (1) Fixture Body
- B. (1) PC Tube

PRODUCT DIMENSIONS

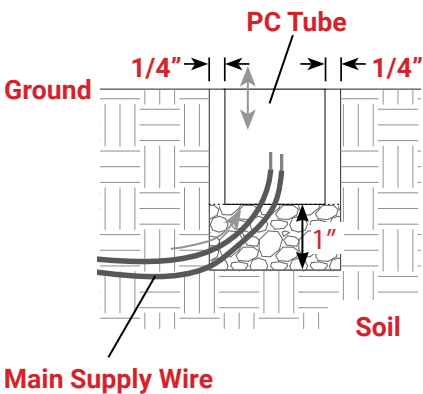
Fixture Body



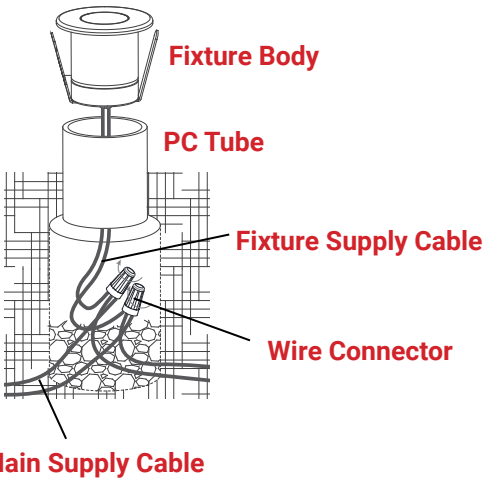
PC Tube



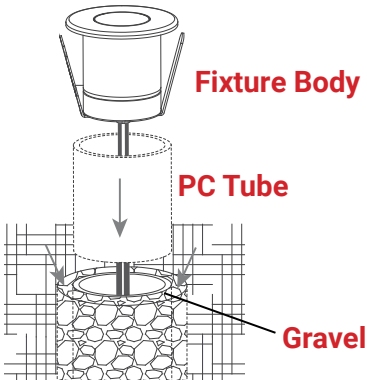
1 DIG HOLE AND FILL GRAVEL ON THE BOTTOM



Dig a 1.76" diameter, 2.38" deep hole in the ground. Run supply wires up through the bottom of the PC tube. Place 1" of gravel in the bottom of hole for proper drainage.

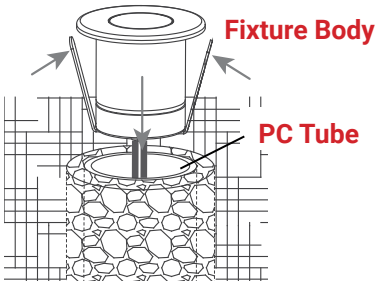
2 WIRE CONNECTION

Pass the fixture supply cable from the fixture body through the PC tube. Strip both leads from fixture supply cable. Using two UL listed wire connectors (sold separately), connect leads from fixture supply cable to main supply cable leads.

3 WIRE CONNECTIONS

Place the PC tube into the hole and fill gravel around the PC tube properly.

4 INSTALL FIXTURE BODY



Push the fixture body into the PC tube until the flange of fixture body is flush to the top of the PC tube.





1-813-978-3900 · Mon-Fri 9am-6pm (EST)

Specifications and product details subject to change without notice.
© Copyright 2023, AMP® Lighting, Lutz FL USA 33549 · All rights reserved.
customersupport@amplighting.com · amplighting.com