


INSTALLATION & MAINTENANCE GUIDE

AMP® LOW VOLTAGE LANDSCAPE LIGHTING

AMP® G2 PuckPro LED Hardscape Light

ITEM: AHS-70XX

1-813-978-3900 • Mon-Fri 9am-6pm (EST)

 **IMPORTANT SAFETY INSTRUCTIONS: READ BEFORE INSTALLATION**

This luminaire is intended for installation in accordance with local codes and the National Electric Code (NEC). Failure to adhere to these codes and instructions may result in serious injury, property damage and void the warranty.

These instructions do not intend to cover all variations in installation, operation maintenance or mounting situations.

1. Make sure the power is turned OFF before installing or servicing this luminaire.
2. **WARNING:** risk of electrical shock. Install all luminaires 10 feet (3.05M) or more from pool, spa or fountain.
3. This luminaire is intended to be used only with a power supply (transformer) rated maximum of 300 watts (25 AMPS) at 15 volts.
4. Wiring connections must be made with UL listed wire connectors that are suitable for outdoor use.
5. Position the low voltage wire and wire connector so that it is located within 6 inches (15.2 cm) from a building structure, a luminaire or fitting.
6. The main low voltage cable is intended for shallow burial - less than 6 inches (152 mm).

 **IMPORTANT SAFETY INSTRUCTIONS**

INSTRUCTIONS PERTAINING TO A RISK OF FIRE, OR INJURY TO PERSONS
LIGHTED LAMP IS HOT!

WARNING – To reduce the risk of FIRE OR INJURY TO PERSONS.

1. Turn off/unplug and allow to cool before replacing lamp.
2. Lamp gets HOT quickly! Contact only switch/plug when turning on.
3. Do not touch the hot lens, guard or enclosure.
4. Keep lamp away from materials that may burn.
5. Do not touch lamp at any time. Use a soft cloth. Oil from skin may damage lamp.
6. Do not operate the luminaire fitting with a missing or damaged shield.

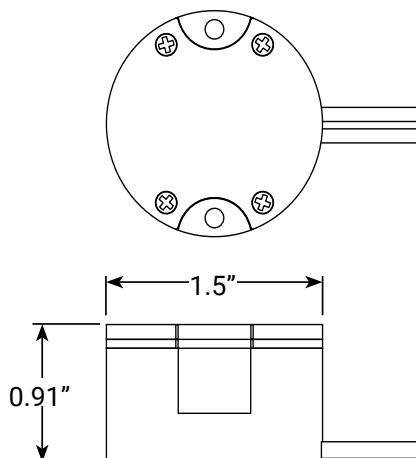
SAVE THESE INSTRUCTIONS

PACKAGE CONTENTS

- A. (1) Puck Light
- B. (1) Frosted Lens

- C. (1) Diffused Lens

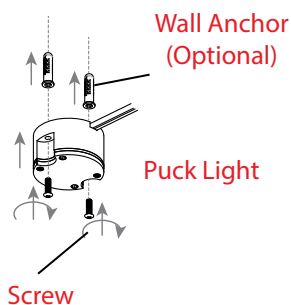
PRODUCT DIMENSIONS



1 SURFACE MOUNT

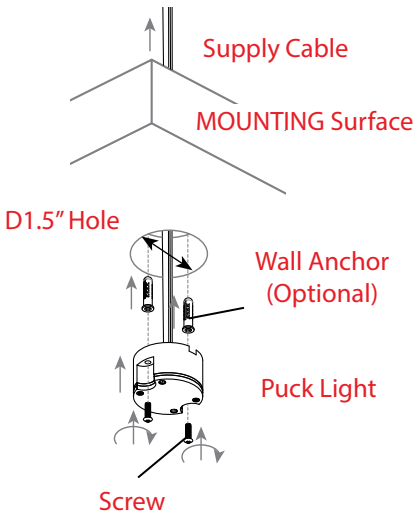


Attach the puck light to a flat mounting surface (railing, shelf, counter, bench, etc.). Secure screws with a screwdriver.



Note: Wall anchors are required for certain installation conditions (brick and/or concrete surfaces). Place a mark on the surface where the holes are located on the puck light. Remove the puck light and drill proper holes on the flat mounting surface, then insert the anchors.

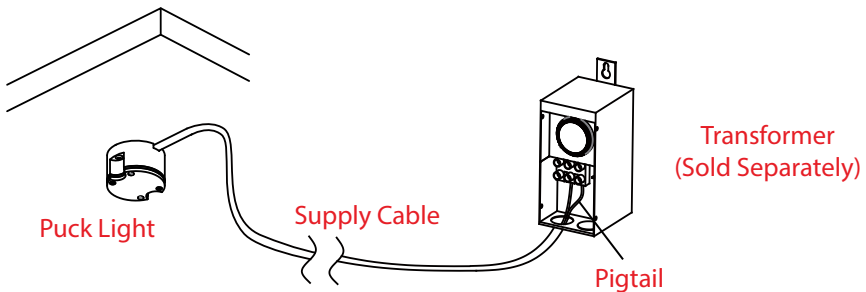
2 RECESSED MOUNT



1. Using a 1.5" core drill bit, drill one about 1" depth hole in the desired flat surface.
2. Using a 3/8" core drill bit, drill a hole through the mounting surface from the center of the above holes.
3. Pass supply cable through the above center hole. Attach the puck light into the drilled hole and secure with screws. Hand tighten until snug with screwdrivers.

Note: Wall anchors are required for certain installation conditions (brick and/or concrete surfaces). Place a mark on the surface where the holes are located on the puck light. Remove the puck light and drill proper holes on the flat surface, then insert the anchors.

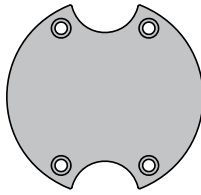
3 WIRE CONNECTIONS



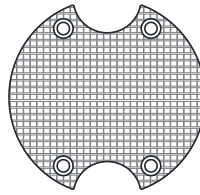
Lay the supply cable out from the transformer. Strip both leads from the luminaire pigtail. Connect the leads from the luminaire supply cable to the transformer (sold separately).

HOW TO REPLACE LENS

There are three lens provided with product. Clear lens has been installed on the product as default lens, which can be replaced with frosted lens or diffused lens by using the following steps.

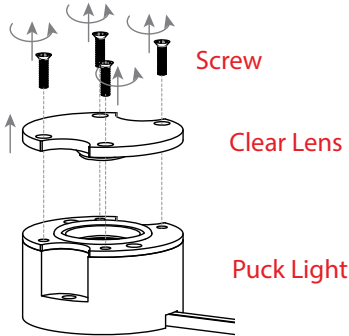


Frosted Lens



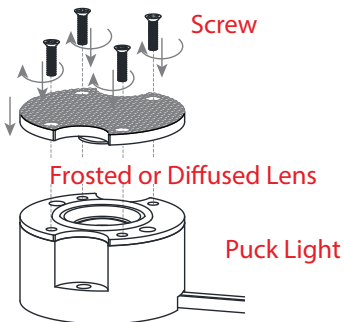
Diffused Lens

4 REMOVE CLEAR LENS FROM PUCK LIGHT



By using screwdriver, remove screws on the puck light to take the clear lens off.

5 INSTALL FROSTED LENS OR DIFFUSED LENS



Place the desired frosted lens or diffused lens onto the puck light and secure with previously removed screws.



INSTALLATION & MAINTENANCE GUIDE
AMP® G2 PuckPro LED Hardscape Light - AHS-70XX



1-813-978-3900 • Mon-Fri 9am-6pm (EST)

Specifications and product details subject to change without notice.
© Copyright 2023, AMP® Lighting, Lutz FL USA 33549 • All rights reserved.
customersupport@amplighting.com • amplighting.com