

## **INSTALLATION & MAINTENANCE GUIDE**

### **AMP® LOW VOLTAGE LANDSCAPE LIGHTING**

AMP® Stemless Brass Bronze Directional Path Light

**ITEM: APL-3037**

**! IMPORTANT SAFETY INSTRUCTIONS: READ BEFORE INSTALLATION**

This luminaire is intended for installation in accordance with local codes and the National Electric Code (NEC). Failure to adhere to these codes and instructions may result in serious injury, property damage and void the warranty.

These instructions do not intend to cover all variations in installation, operation maintenance or mounting situations.

1. Make sure that the power is turned OFF before installing or servicing this luminaire.
2. **WARNING:** risk of electrical shock. Install all luminaires 10 feet (3.05M) or more from pool, spa or fountain.
3. This luminaire is intended to be used only with a power supply (transformer) rated maximum of 300 watts (25 AMPS) at 15 volts.
4. Wiring connections must be made with UL listed wire connectors that are suitable for outdoor use.
5. Position the low voltage wire and wire connector so that it is located within 6 inches (15.2 cm) from a building structure, a luminaire or fitting.
6. The main low voltage cable is intended for shallow burial - less than 6 inches (152 mm).

**! IMPORTANT SAFETY INSTRUCTIONS****INSTRUCTIONS PERTAINING TO A RISK OF FIRE, OR INJURY TO PERSONS**  
**LIGHTED LAMP IS HOT!**

**WARNING** – To reduce the risk of FIRE OR INJURY TO PERSONS.

1. Turn off/unplug and allow to cool before replacing lamp.
2. Lamp gets HOT quickly! Contact only switch/plug when turning on.
3. Do not touch the hot lens, guard or enclosure.
4. Keep lamp away from materials that may burn.
5. Do not touch lamp at any time. Use a soft cloth. Oil from skin may damage lamp.
6. Do not operate the luminaire fitting with a missing or damaged shield.

**SAVE THESE INSTRUCTIONS**

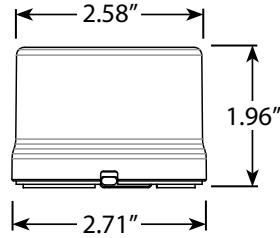
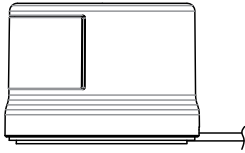
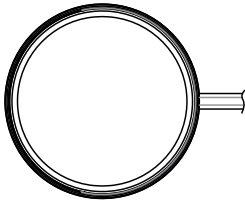
## PACKAGE CONTENTS

- A. (1) Fixture Body
- B. (1) Mounting Bracket
- C. (3) Anchors
- D. (3) Screws
- E. (1) Coupling

## Parts Required (Sold Separately)

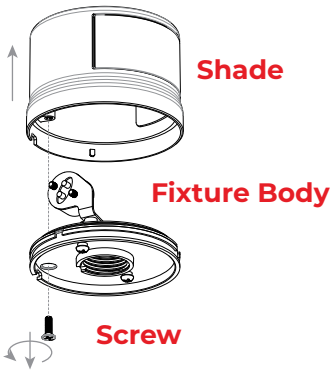
- A. Mounting Accessory
- B. (1) G4 Bulb

## PRODUCT DIMENSIONS

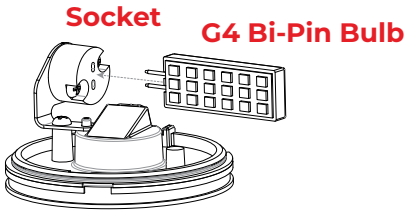


1

## REMOVE SHADE

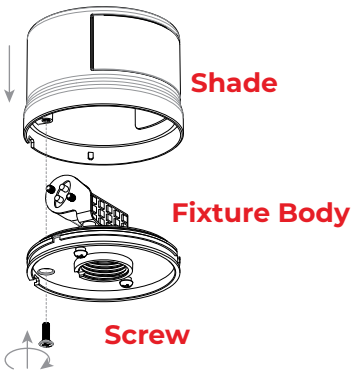


Remove the shade from the fixture body by removing the screw on the bottom.

**2 INSTALL G4 BULB**

Insert G4 bulb into the socket properly with the correct wattage and type marked on the fixture label.

**CAUTION:** Do not exceed maximum wattage marked on luminaire label.

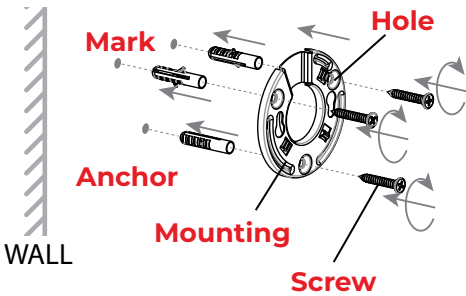
**3 INSTALL SHADE**

Install the shade back onto the fixture body and secure with previously removed screw. Hand tighten until snug.

Two installation methods are available for this product (Mounting Option A & B). Refer to respective installation instructions and then continue to Step 4 for wire connections.

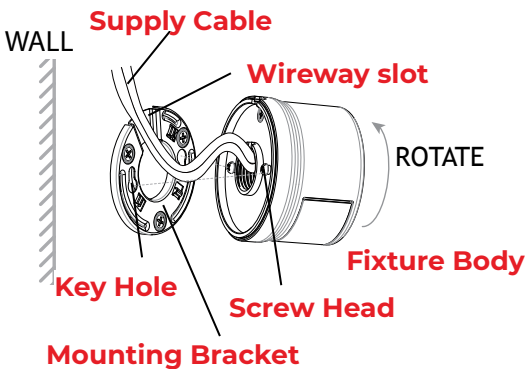
## MOUNTING OPTION A: SURFACE MOUNT

### 1 INSTALL MOUNTING BRACKET



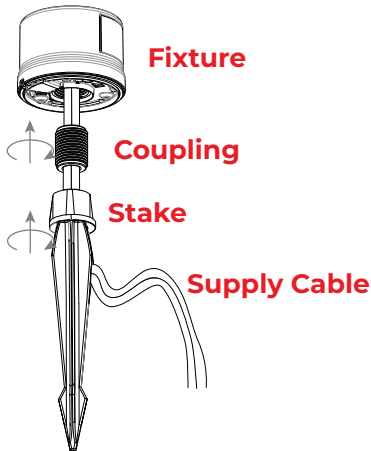
1. Attach the mounting bracket to your desired mounting surface. Use a pencil, mark 3 points on the mounting surface from 3 holes on the mounting bracket.
2. Set the mounting bracket aside and drill 1/4" holes on the marks on the mounting surface.
3. Insert anchors into the drilled holes completely.
4. Attach the mounting bracket onto the mounting surface and secure with screws. Hand tighten until snug with screwdrivers.

### 2 INSTALL FIXTURE BODY TO MOUNTING BRACKET

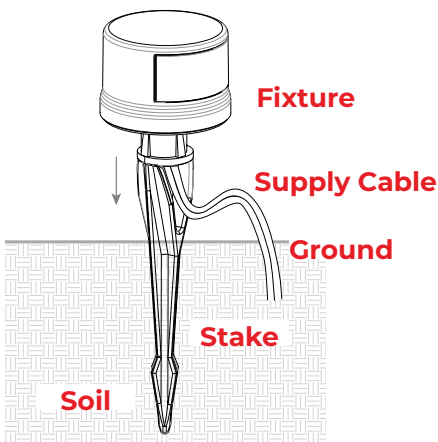


Lay the supply cable into the wireway slot on the mounting bracket. Align two screw heads on the bottom of the fixture body to the keyholes on the mounting bracket. Push the fixture body onto the mounting bracket and rotate it until it is locked into place.

Go to Step 4 for wire connections.

**MOUNTING OPTION B: STAKE MOUNT****1 INSTALL STAKE TO FIXTURE**

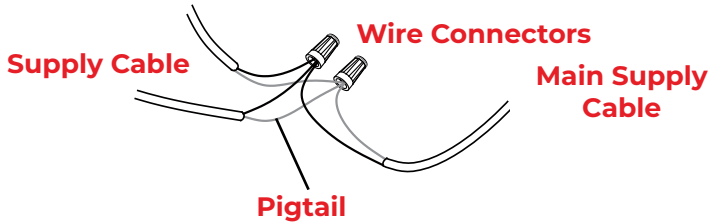
Pass supply cables through the coupling and the stake. Thread the coupling and the stake to the fixture body and hand tighten until snug.

**2 INSTALL STAKE INTO SOIL**

Clear away an area in the ground at the wireway slot. Lay the supply cables into the wireway slot and insert the stake into the soil until flange of stake is flush to ground.

Go to Step 4 for wire connections.

## 4 WIRE CONNECTIONS



Strip both leads from the luminaire pigtail. Using two UL listed wire connectors (sold separately), connect the leads from the luminaire to the main supply cable leads.

### INSTALL/REPLACE LAMP

Remove the fixture body from the mounting bracket or the stake first. Reverse Step 1 - Step 3 to expose the G4 bulb and replace it with the correct wattage and type marked on the fixture label. Then, reinstall the shade and fixture body.

**IMPORTANT:** G4 Bi-pin bulb must be protected from moisture and dust at all times. Always reinstall the shade when removed.



1-813-978-3900 · Mon-Fri 9am-6pm (EST)

Specifications and product details subject to change without notice.  
© Copyright 2023, AMP® Lighting, Lutz FL USA 33549 · All rights reserved.  
[customersupport@amplighting.com](mailto:customersupport@amplighting.com) · [amplighting.com](http://amplighting.com)