

INSTALLATION & MAINTENANCE GUIDE

AMP® LOW VOLTAGE LANDSCAPE LIGHTING

AMP® 16ft RGBW Integrated LED Rope Light

ITEM: ARL-RGBW-16

1-813-978-3900 • Mon-Fri 9am-6pm (EST)

! IMPORTANT SAFETY INSTRUCTIONS: READ BEFORE INSTALLATION

This fixture is intended for installation in accordance with local codes and the National Electric Code (NEC). Failure to adhere to these codes and instructions may result in serious injury, property damage and void the warranty.

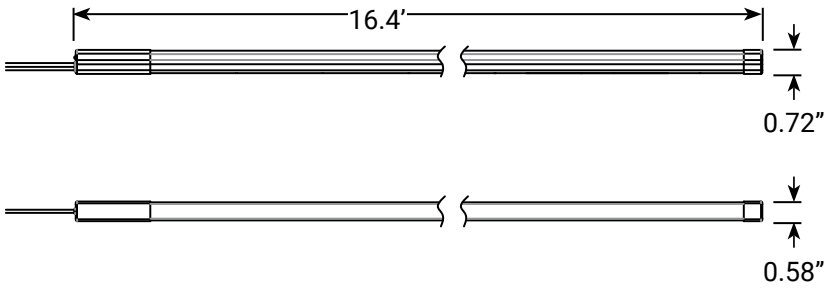
These instructions do not intend to cover all variations in installation, operation maintenance or mounting situation.

1. Make sure that the power is turned OFF before installing or servicing this fixture.
2. Warning: this fixture is not intended to be installed within 10 feet [3 meters] of a pool, spa or fountain.
3. This fixture is intended to be used only with a power supply (transformer) rated maximum of 300 watts (25 AMPS) at 15 volts.
4. Underground Low Energy Cable must not be buried over 6" (15.2 cm) in order to connect to the main low voltage cable.
5. Wiring connections must be made with UL Listed wire connectors that is suitable for the application.
6. Position the wire connector so that it is located within 6 inches (15.2 cm) from a building structure, a luminaire, or fitting.

PACKAGE CONTENTS

- | | |
|--------------------------------------|---------------------|
| A. (1) Neon Light Strip (L16.4 feet) | D. (10) Wall Anchor |
| B. (1) End Cap | E. (10) Screw |
| C. (10) Strip Holder | F. (1) IR Remote |

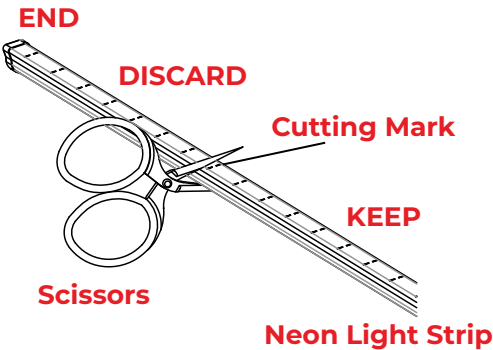
PRODUCT DIMENSIONS



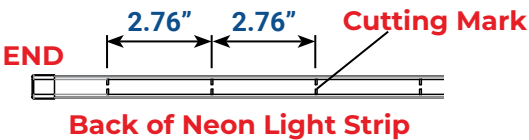
This neon light strip can be cut to desired length. Read the following notes carefully before operations. If you would like to use the entire neon light strip, skip the step 1 - Step 3 and follow the steps to install fixtures.

1. Only cut the neon light strip from the cutting marks. The cutting marks are on the back of the neon light strip.
2. Only start cutting the neon light strip from the end.

1 CUT NEON LIGHT STRIP TO DESIRED LENGTH (IF NECESSARY)



With scissors, cut the rope light to the desired length using the cutting marks on the back. Discard the end section, it's not functional after cutting.



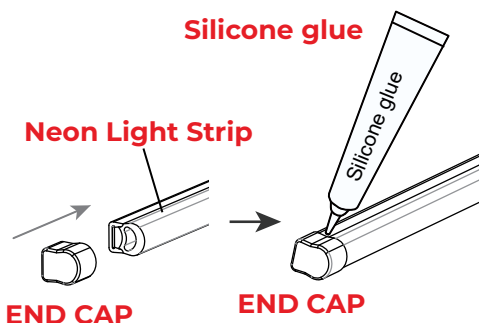
2 FILL SILICONE GLUE IN END CAP



END CAP

Using Silicone glue, fill in the end cap.

3 INSTALL END CAP

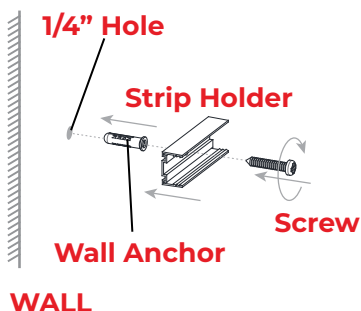


END CAP

END CAP

1. Install the end cap onto the end of the neon light strip.
2. Apply Silicone glue along the edge of the end cap.
3. Wait for at least 12 hours to ensure the Silicone glue is solidified.

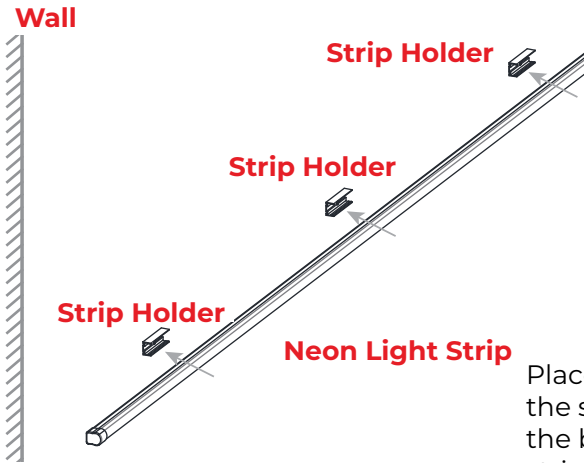
4 INSTALL STRIP HOLDER



WALL

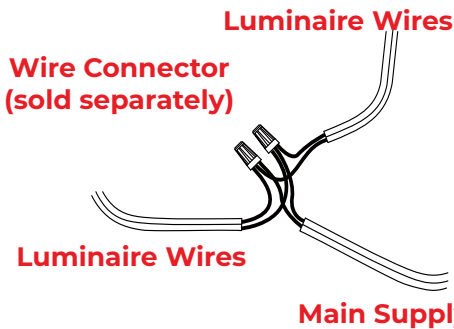
1. Drill 1/4" hole on the desired wall surface.
2. Insert the wall anchor into the drilled hole completely.
3. Attach the strip holder on the wall anchor and secure with screw. Hand tighten until snug.

5 INSTALL NEON LIGHT STRIP TO STRIP HOLDER



Place the rope light onto the strip holders with the back of the light strip against the strip holders. Gently push the light strip until it is embedded in.

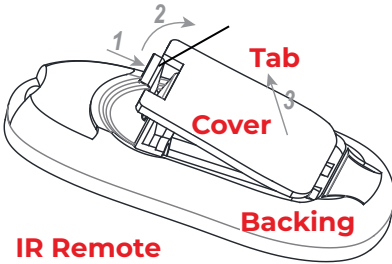
6 WIRE CONNECTION



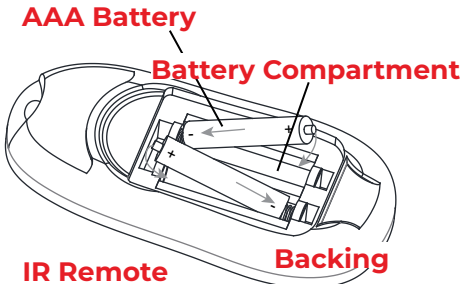
Strip both leads from luminaire pigtail. Using two UL listed wire connectors (sold separately), connect the leads from the neon light strip to main supply cable leads.

IR REMOTE

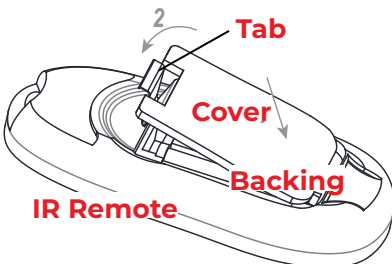
An IR Remote is provided for this fixture. The IR remote requires two AAA batteries.

1 REMOVE THE BATTERY COMPARTMENT COVER

Press the tab and rotate the battery compartment cover to remove it from the IR Remote.

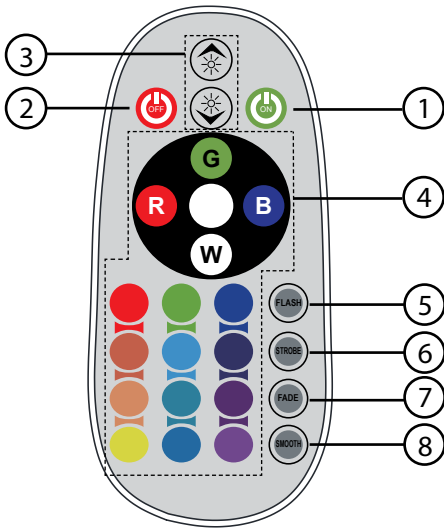
2 INSTALL TWO AAA BATTERIES

Place two AAA batteries into the battery compartment properly.

3 INSTALL THE BATTERY COMPARTMENT COVER

Place the battery compartment cover back onto the IR Remote.

4 IR REMOTE FUNCTIONS



1. On
2. Off
3. Brightness Control
4. 16 color selections

5. Flash

- a. Jump between seven colors and then repeat. Cycle for 7 seconds duration of the seven colors within this mode.



2. Strobe

- a. Jump between Red, Green, Blue and then repeat. Cycle for 3 seconds duration of the three colors within this mode.



2. Fade

- a. Gradient between Red, Green, Blue and then repeat. Cycle for 12 seconds duration of the three colors within this mode.



2. Smooth

- a. Gradient between seven colors and then repeat. Cycle for 30 seconds duration of the seven colors within this mode.





1-813-978-3900 · Mon-Fri 9am-6pm (EST)

Specifications and product details subject to change without notice.
© Copyright 2023, AMP® Lighting, Lutz FL USA 33549 · All rights reserved.
customersupport@amplighting.com · amplighting.com