

INSTALLATION & MAINTENANCE GUIDE

AMP[®] Lighting

AMP[®] Low Voltage Landscape Lighting

AMP[®] LocketPro Mini Hanging Light (Lamp-Ready)

ASI-9007-4036-B-BZ

Help Hotline:

1-813-978-3900 • Mon-Fri 9am-6pm (EST)

www.amplighting.com

! Important Safety Instructions: Read Before Installation

This fixture is intended for installation in accordance with local codes and the National Electric Code (NEC). Failure to adhere to these codes and instructions may result in serious injury, property damage and void the warranty.

These instructions do not intend to cover all variations in installation, operation maintenance or mounting situations.

1. Make sure that the power is turned OFF before installing or servicing this luminaire.
2. **WARNING:** risk of electrical shock. Install all luminaires 10 feet (3.05M) or more from pool, spa or fountain.
3. This luminaire is intended to be used only with a power supply (transformer) rated maximum of 300 watts (25 AMPS) at 15 volts.
4. Wiring connections must be made with UL listed wire connectors that are suitable for outdoor use.
5. The unit low voltage cable should:
 - a. Be protected by routing in close proximity to the luminaire or fitting, or next to a building structure such as a house or deck;
 - a. Not be buried except for a maximum 6 inches (15.2 cm) in order to connect to the main low voltage cable; and
 - a. Have the length cut off so that it is connected to a connector within 6 inches (15.2 cm) from the building structure, a luminaire, or fitting.

! Important Safety Instructions

INSTRUCTIONS PERTAINING TO A RISK OF FIRE, OR INJURY TO PERSONS
Lighted lamp is HOT!

WARNING - TO REDUCE THE RISK OF FIRE OR INJURY TO PERSONS.

1. Turn off/unplug and allow to cool before reducing lamp.
2. Lamp gets HOT quickly! Contact only switch/plug when turning on.
3. Do not touch the hot lens, guard or enclosure.
4. Keep lamp away from materials that may burn.
5. Do not touch lamp at any time. Use a soft cloth. Oil from skin may damage lamp.
6. Do not operate the luminaire fitting with a missing or damaged shield.

SAVE THESE INSTRUCTIONS

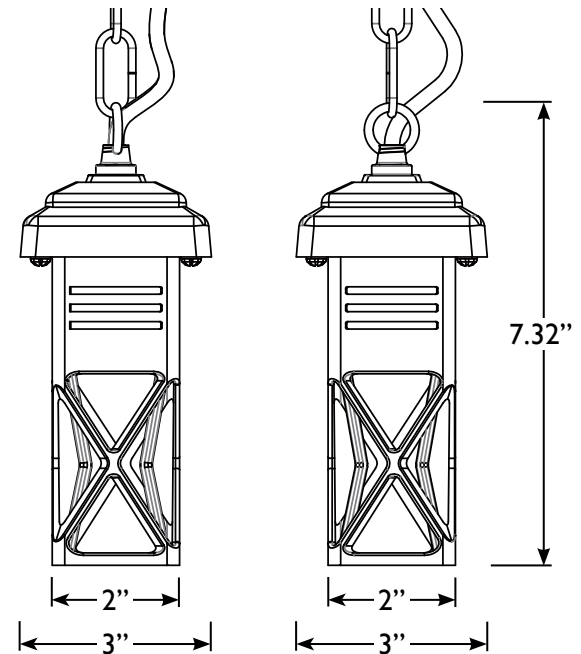
Package Contents

- | | |
|----------------------|----------------------------|
| A. (1) Fixture | D. (1) Mounting Bracket |
| B. (1) Fixture Chain | E. (3) Self-tapping Screws |
| C. (1) Chain Link | F. (3) Flat Washers |

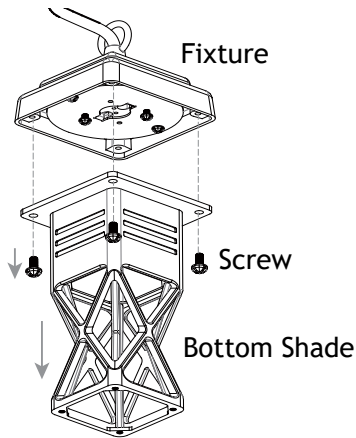
Parts Required (Sold Separately)

- A. (1) Bi-Pin Brass Puck Light

Product Dimensions

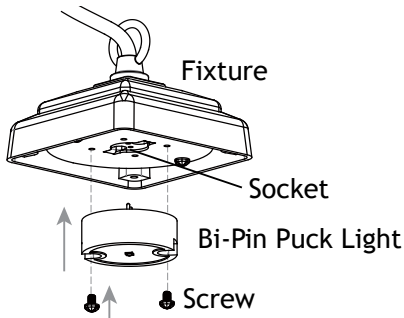


1 Remove Shade



Use a screwdriver to remove the screws from under the fixture. Then take off the bottom shade.

2 Install Bi-Pin Brass Puck Light

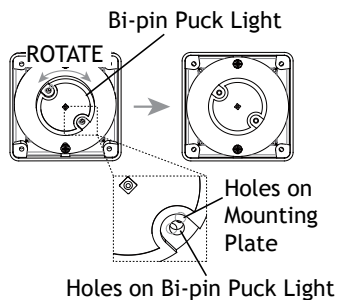


Insert the Bi-Pin brass puck light into the socket and secure with the two screws provided. Tighten with a screw driver.

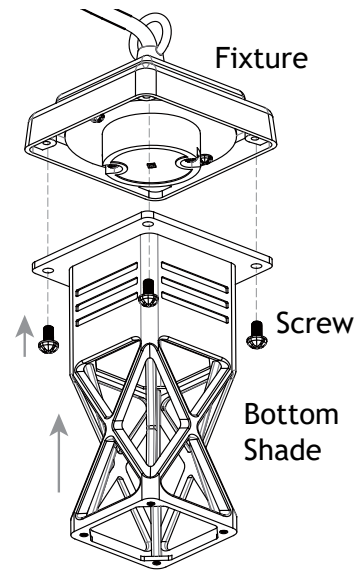
CAUTION: This fixture is for LED use only. Do not exceed maximum wattage marked on luminaire label.

NOTE: DO NOT touch the Bi-Pin brass puck light with bare hands. Use soft cloth to handle the puck light.

TIPS: If the holes on the Bi-Pin puck light do not align to the holes on the mounting plate after installation, rotate the Bi-Pin puck light slightly to line the holes up and then secure with screws.

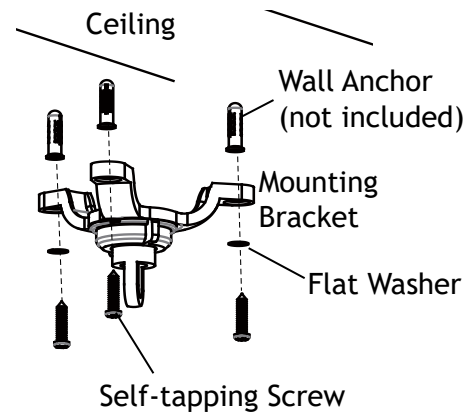


3 Re-install Shade



Place the bottom back onto the fixture and secure with the previously removed screws. Tighten with a screw driver.

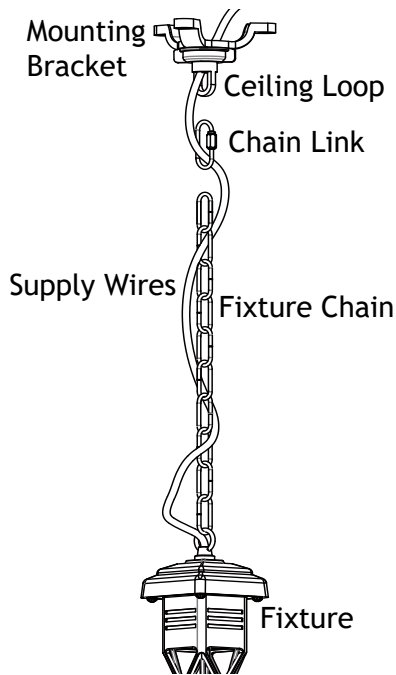
4 Install Mounting Bracket



Attach the mounting bracket onto the desired ceiling surface. Secure with the flat washers and self-tapping screws.

Note: Wall anchors are required for certain installation conditions (concrete or brick walls). Mark on the desired ceiling surface for wall anchors by using the holes on the mounting bracket. Remove the mounting bracket and drill proper holes on the desired ceiling surface and then insert the wall anchors.

5 Attach Fixture to Mounting Bracket



Adjust the fixture chain to the desired length by removing the links if needed. (Note: Pliers are required for this step).

With the fixture chain unattached to the fixture loop on top of the fixture body; or the ceiling loop on the underside of the mounting bracket, pull the supply wires through the fixture chain alternating between the links.

After the wires are through the fixture chain, pull the supply wires up and around the backside of the mounting bracket.

Attach one end of the fixture chain to the fixture loop at the top of the fixture body. Lift the fixture body and fixture chain up and attach the other end of the fixture chain onto the ceiling loop on the bottom of the mounting bracket with the chain link.

The fixture will now hang safely. Close the chain loop at the ceiling loop.

6 Adjust Fixture

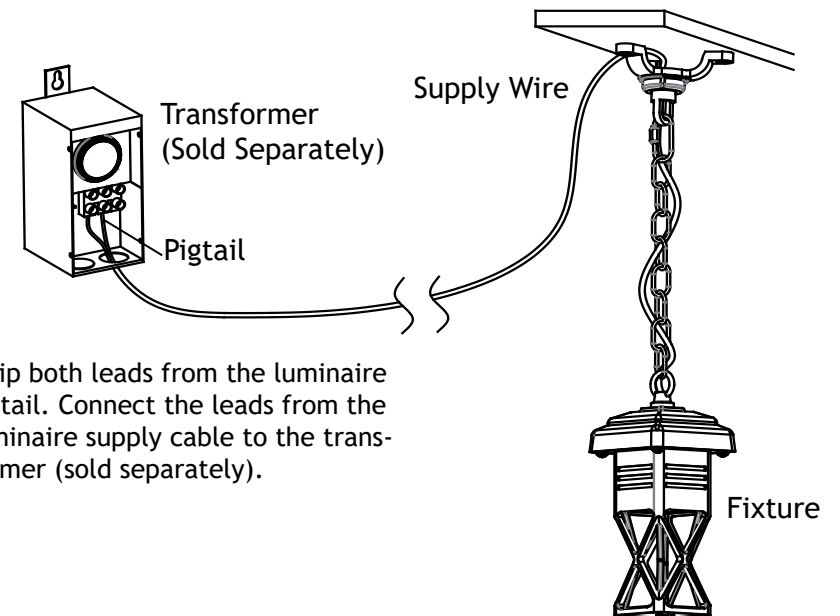
Adjust the fixture chain to the desired length by removing the links if needed. (Note: Pliers are required for this step).

With the fixture chain unattached to the ceiling loop remove the links to create the length needed. Then, pull the supply wire from the fixture through the chain alternating between the links.

After the wire is through the chain, pull the additional wire through the mounting bracket.

Attach the fixture chain to the ceiling loop using the chain link.

7 Wire Connections



Strip both leads from the luminaire pigtail. Connect the leads from the luminaire supply cable to the transformer (sold separately).

INSTALLATION & MAINTENANCE GUIDE

AMP[®] Lighting

Help Hotline:

1-813-978-3900 • Mon-Fri 9am-6pm (EST)

www.amplighting.com