

INSTALLATION & MAINTENANCE GUIDE

AMP[®] Lighting

AMP[®] Low Voltage Landscape Lighting

AMP[®] Step Lights

ASL Series

Help Hotline:

1-813-978-3900 • Mon-Fri 8am-8pm • Sat-Sun 10am-6pm (EST)

www.AMPLighting.com

 **Important Safety Instructions: Read Before Installation**

This luminaire is intended for installation in accordance with local codes and the National Electric Code (NEC). Failure to adhere to these codes and instructions may result in serious injury, property damage and void the warranty.

These instructions do not intend to cover all variations in installation, operation maintenance or mounting situation.

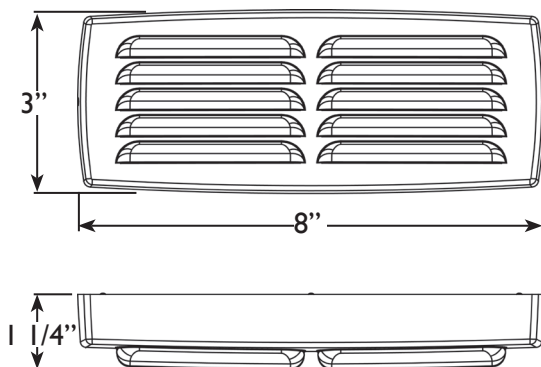
1. Make sure that the power is turned OFF before installing or servicing this luminaire.
2. Warning: risk of electrical shock. Install all luminaires 10 feet (3.05M) or more from pool, spa or fountain.
3. This luminaire is intended to be used only with a power supply (transformer) rated maximum of 300 watts (25 AMPS) at 15 volts.
4. Wiring connections must be made with wire connectors that is suitable for outdoor use.
5. Position the low voltage wire and wire connector so that it is located within 6 inches (15.2 cm) from a building structure, a luminaire, or fitting.
6. The main low voltage cable is intended for shallow burial - less than 6 inches (152 mm)
7. If additional lengths of low voltage cable is required, please contact www.AMPLighting.com or call 1-813-978-3900.

SAVE THESE INSTRUCTIONS

Package Contents

- A. (1) Luminaire
- B. (4) Lock Screw

Product Dimensions



Pro Technique for Hiding Lead Wire

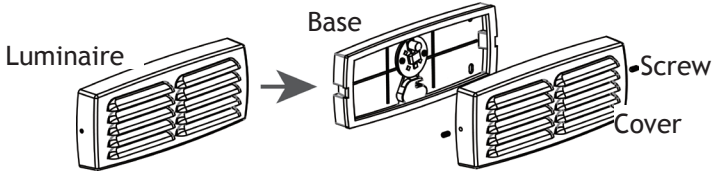
Determine the location for the luminaire. Drill a hole through the desired mounting location, and run lead wire out backside of the location, so wires are not visible from front side. Use a matching trim piece and cut a groove in the back of trim. Cover the lead wires with the matching trim piece.

Pro Technique for Hiding Splice Connections

All luminaires come with 25' or 48" of lead wire, enabling you to hide the splice connections out of sight. Additionally you can mount a hub system to hard surfaces. Mount a hub system under the step using a surface mount. Bring all step light luminaire lead wires to hub, for discreet connections, hidden from view. If you must make a splice connection in view, use an inline ACE style connection that is less visible than twist caps.

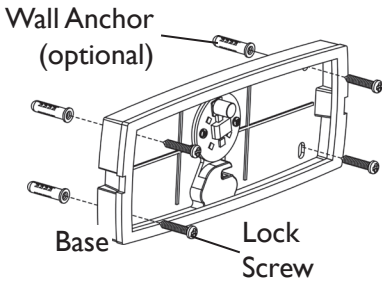
AMP[®] AMP[®] Step Lights ASL Series

1 Remove Cover



Unscrew screws on both sides of luminaire and then remove cover from base.

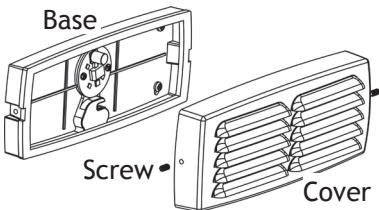
2 Install Base



Attach base onto your desired location and secure with lock screws.

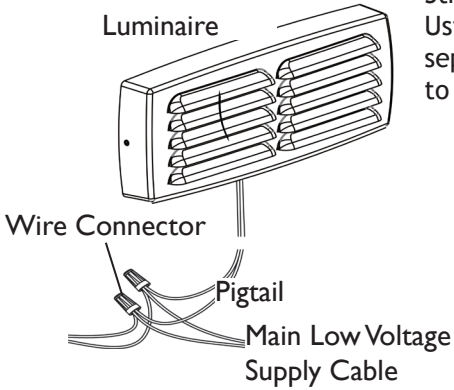
Note: Wall anchors may be required for certain installation conditions (e.g. Brick wall, Concrete Wall, etc.) Mark on the wall for wall anchors from holes on the base. Remove base and drill proper holes on the wall and then insert wall anchors.

3 Install Cover



Attach cover back onto base. Secure by threading removed screws back into side of luminaire.

4 Wire Connections



Strip two leads from luminaire pigtail. Using two wire connectors, sold separately, connect leads from luminaire to main low voltage supply cable leads.

AMP[®] AMP[®] Step Lights
ASL Series

AMP[®] Lighting

Help Hotline:

1-813-978-3900 • Mon-Fri 8am-8pm • Sat-Sun 10am-6pm (EST)

Specifications and product details subject to change without notice.
© Copyright 2014, AMP[®] Lighting, Lutz FL USA 33549 • All rights reserved.
customersupport@AMPLighting.com • 813.978.3900

www.AMPLighting.com

is-asl-ver1.pdf