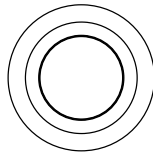
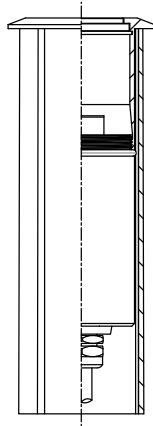


# AMP®



## **INSTALLATION & MAINTENANCE GUIDE**

**AMP® LOW VOLTAGE LANDSCAPE LIGHTING**

AMP® Core Drill Well Light

**ITEM: AWL-5012**

1-813-978-3900 • Mon-Fri 9am-6pm (EST)

**! IMPORTANT SAFETY INSTRUCTIONS: READ BEFORE INSTALLATION**

This fixture is intended for installation in accordance with local codes and the National Electric Code (NEC). Failure to adhere to these codes and instructions may result in serious injury, property damage and void the warranty.

These instructions do not intend to cover all variations in installation, operation maintenance or mounting situation.

1. Make sure that the power is turned OFF before installing or servicing this fixture.
2. Warning: this fixture is not intended to be installed within 10 feet [3 meters] of a pool, spa or fountain.
3. This fixture is intended to be used only with a power supply (transformer) rated maximum of 300 watts (25 AMPS) at 15 volts.
4. Underground Low Energy Cable must not be buried over 6" (15.2 cm) in order to connect to the main low voltage cable.
5. Wiring connections must be made with UL Listed wire connectors that is suitable for the application.
6. Position the wire connector so that it is located within 6 inches (15.2 cm) from a building structure, a luminaire, or fitting.

**! IMPORTANT SAFETY INSTRUCTIONS****INSTRUCTIONS PERTAINING TO A RISK OF FIRE, OR INJURY TO PERSONS****LIGHTED LAMP IS HOT!**

**WARNING** – To reduce the risk of FIRE OR INJURY TO PERSONS.

1. Turn off/unplug and allow to cool before replacing lamp.
2. Lamp gets HOT quickly! Contact only switch/plug when turning on.
3. Do not touch the hot lens, guard or enclosure.
4. Keep lamp away from materials that may burn.
5. Do not touch lamp at any time. Use a soft cloth. Oil from skin may damage lamp.
6. Do not operate the luminaire fitting with a missing or damaged shield.

**SAVE THESE INSTRUCTIONS**

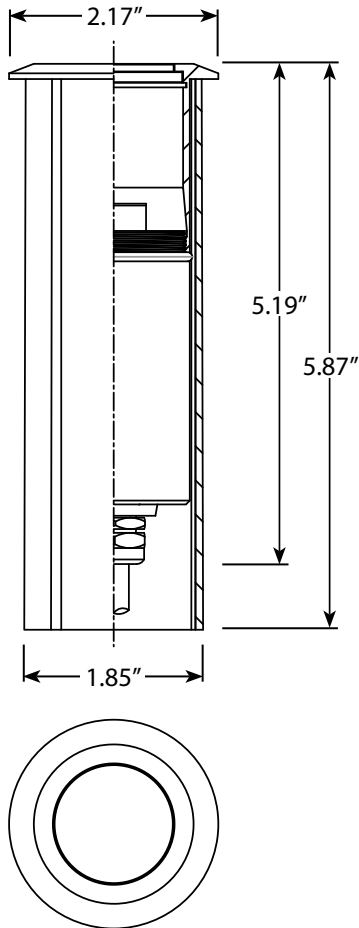
## PACKAGE CONTENTS

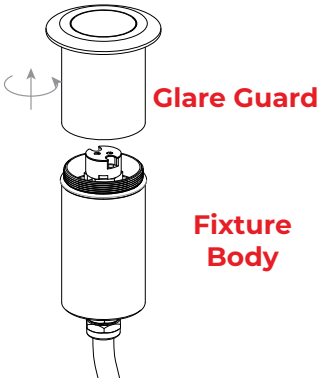
- A. (1) Fixture Body
- B. (1) PVC tube

## PARTS REQUIRED (SOLD SEPARATELY)

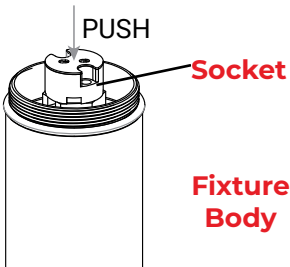
- A. (1) MR11 Lamp

## PRODUCT DIMENSIONS

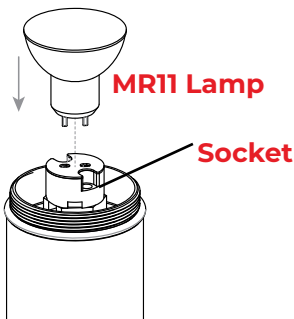


**1 REMOVE GLARE GUARD**

Unscrew the glare guard to remove it from the fixture body.

**2 ADJUST SOCKET HEIGHT**

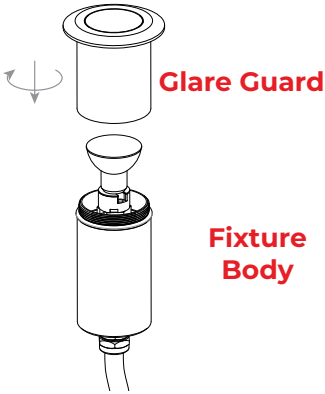
To get more or less glare protection, push the socket to adjust higher or lower inside of the fixture body.

**3 INSTALL LAMP**

Insert MR11 lamp with correct wattage and type marked on the fixture label and push firmly into place.

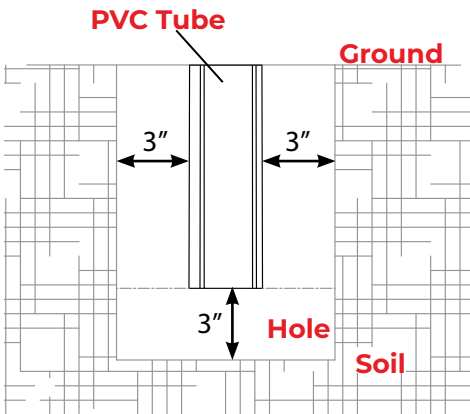
**CAUTION:** Do not exceed maximum wattage marked on fixture label.

## 4 INSTALL GLARE GUARD

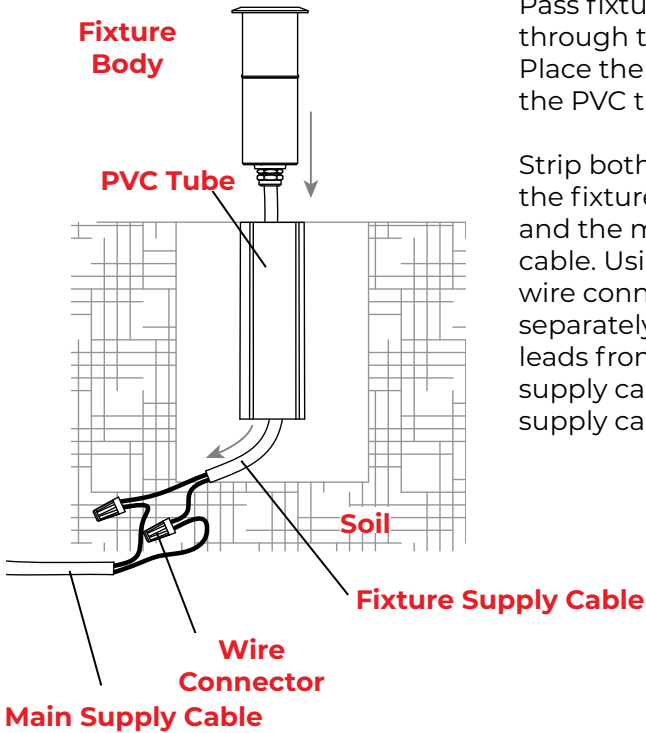


Thread the glare guard back onto the fixture body and hand tighten until snug.

## 5 DIG HOLE



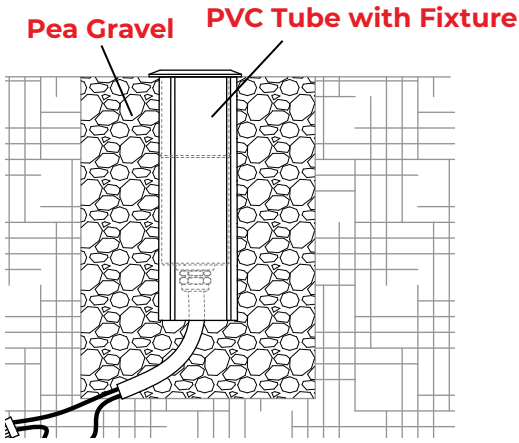
Dig hole in the ground. Make sure there is approximately 3" of space surrounding the PVC tube for pea gravel or sand.

**6 WIRE CONNECTION**

Pass fixture supply cable through the PVC tube. Place the fixture body onto the PVC tube properly.

Strip both leads from the fixture supply cable and the main supply cable. Using two UL listed wire connectors (sold separately), connect the leads from the fixture supply cable to the main supply cable.

## 7 FILL PEA GRAVEL OR SAND



Install the PVC tube with fixture in hole and fill hole with pea gravel or sand.

## INSTALL/REPLACE LAMP

Reverse steps 3 - 4 to remove the glare guard to expose the MR11 lamp and replace it with the correct wattage and type marked on the fixture label. Then, reinstall the glare guard.

**IMPORTANT:** MR11 Lamp must be protected from moisture and dust at all times. Always re-install the glare guard when removed.



1-813-978-3900 · Mon-Fri 9am-6pm (EST)

Specifications and product details subject to change without notice.  
© Copyright 2023, AMP® Lighting, Lutz FL USA 33549 · All rights reserved.  
[customersupport@amplighting.com](mailto:customersupport@amplighting.com) · [amplighting.com](http://amplighting.com)