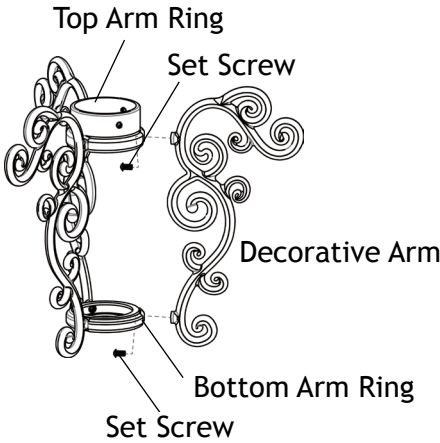
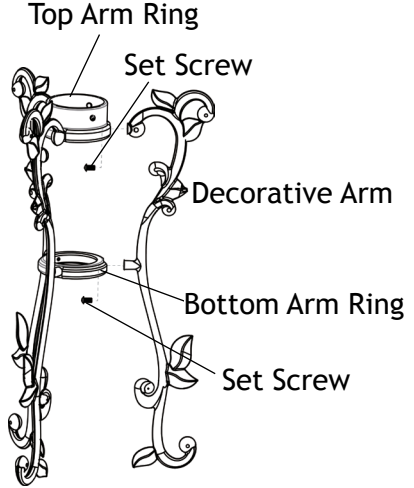




1 Installing Decorative Arms



DECORATIVE ARM
OPTIONAL A

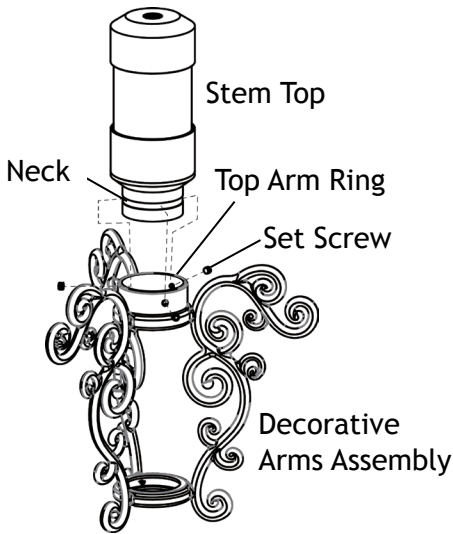


DECORATIVE ARM
OPTIONAL B

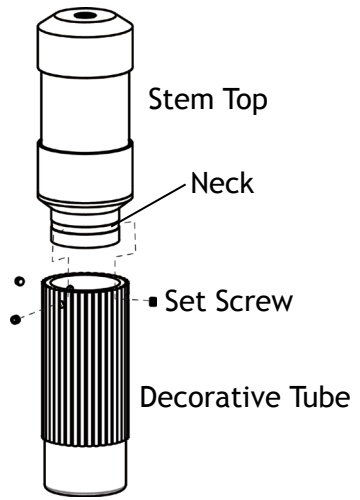
Attach the decorative arms to the top and bottom arm rings as shown. Secure them together with the provided set screws. Hand tighten until snug.

Loosen the stem top and remove it from the top end of the stem.

2 Install Stem Top to Decorative Pieces



INSTALL DECORATIVE ARM



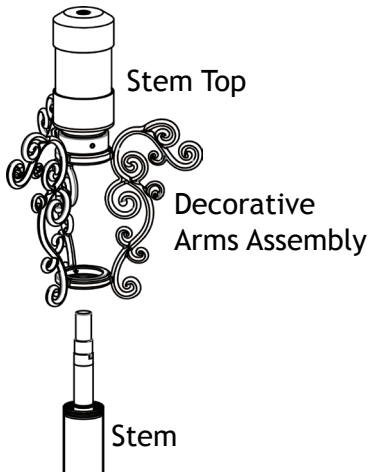
INSTALL DECORATIVE TUBE

Insert the neck of the stem top to the top arm ring of the decorative arm assembly or to the decorative tube. Secure them together with the set screws and tighten until snug.

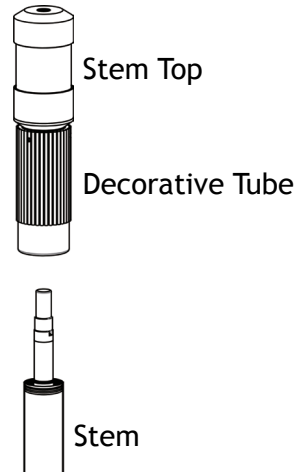
Insert the bulb with the correct wattage and type marked on the fixture label and push firmly into place.

CAUTION: Do not exceed maximum wattage marked on luminaire label.

3 Install Decorative Pieces to Stem



INSTALL STEM TO
DECORATIVE ARMS ASSEMBLY



INSTALL STEM TO
DECORATIVE TUBE

Place the stem top with decorative arms assembly or the stem top with the decorative tube over the bulb. Thread the stem top onto the stem and hand tighten until snug.

Proceed to install stakes and shades to complete fixture installation.



Help Hotline:

1-813-978-3700 • Mon-Fri 8am-8pm • Sat-Sun 10am - 6pm (EST)

www.voltlighting.com

Specifications and product details subject to change without notice.
© Copyright 2019, VOLT® Lighting, Lutz FL USA 33549 • All rights reserved.
customersupport@voltlighting.com • 813.978.3700

is-decortivearms-ver1.pdf