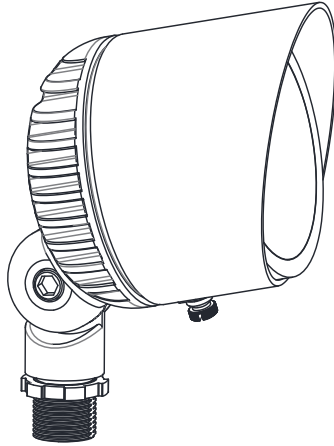


AMP®



INSTALLATION & MAINTENANCE GUIDE

AMP® LOW VOLTAGE LANDSCAPE LIGHTING

AMP® RGBCW or CW RF Spot Light

ITEM: AAL-1054 & AAL-1055 & AAL-1056

1-813-978-3900 • Mon-Fri 9am-6pm (EST)

! IMPORTANT SAFETY INSTRUCTIONS: READ BEFORE INSTALLATION

This luminaire is intended for installation in accordance with local codes and the National Electric Code (NEC). Failure to adhere to these codes and instructions may result in serious injury, property damage and void the warranty.

These instructions do not intend to cover all variations in installation, operation maintenance or mounting situations.

1. Make sure that the power is turned OFF before installing or servicing this luminaire.
2. **WARNING:** risk of electrical shock. Install all luminaires 10 feet (3.05M) or more from pool, spa or fountain.
3. This luminaire is intended to be used only with a power supply (transformer) rated maximum of 300 watts (25 AMPS) at 15 volts.
4. Wiring connections must be made with UL listed wire connectors that are suitable for outdoor use.
5. Position the low voltage wire and wire connector so that it is located within 6 inches (15.2 cm) from a building structure, a luminaire or fitting.
6. The main low voltage cable is intended for shallow burial - less than 6 inches (152 mm).

! IMPORTANT SAFETY INSTRUCTIONS**INSTRUCTIONS PERTAINING TO A RISK OF FIRE, OR INJURY TO PERSONS****LIGHTED LED MODULE IS HOT!****WARNING - TO REDUCE THE RISK OF FIRE OR INJURY TO PERSONS.**

1. Turn off/unplug and allow to cool before replacing LED module.
2. LED module gets HOT quickly! Contact only switch/plug when turning on.
3. Do not touch the hot lens, guard or enclosure.
4. Keep LED module away from materials that may burn.
5. Do not touch LED module at any time. Use a soft cloth. Oil from skin may damage LED module.
6. Do not operate the luminaire fitting with a missing or damaged shield.

SAVE THESE INSTRUCTIONS

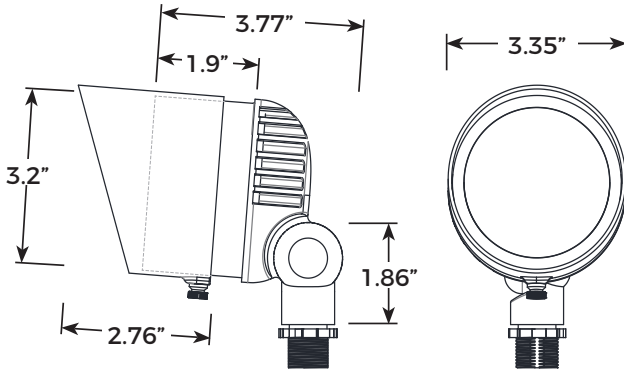
PACKAGE CONTENTS

- A. (1) Fixture Body
- B. (1) 60° Lens
- C. (1) Allen Wrench

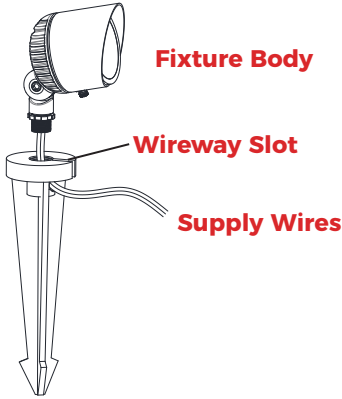
PARTS REQUIRED (SOLD SEPARATELY)

- A. (1) Mounting Accessory
- B. (1) RF Remote Controller (Part #: VAC-REMOTE-RF1)

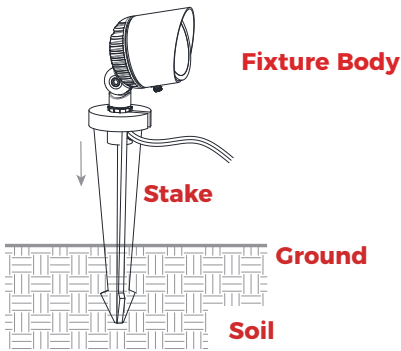
PRODUCT DIMENSIONS



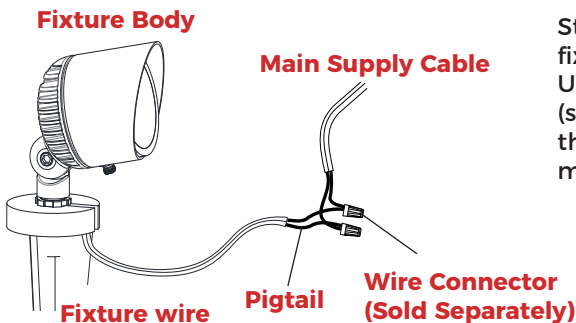
NOTE: The RGBCW or CW LED module may or may not be included.

1 INSTALL FIXTURE BODY TO STAKE

Pass the supply wires of the fixture body through the wireway slot on the stake. Thread the fixture body onto the stake.

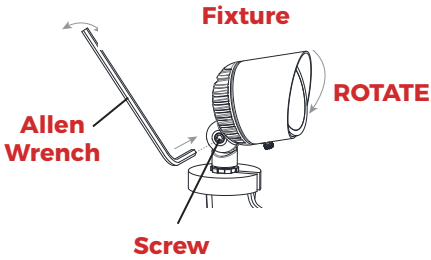
2 INSERT STAKE INTO GROUND

Insert the stake into the ground until flange of stake is flush to the ground.

3 WIRE CONNECTION

Strip both leads from fixture pigtail. Using two UL listed wire connectors (sold separately), connect the leads from the fixture to main supply cable leads.

4 ADJUST FIXTURE DIRECTION

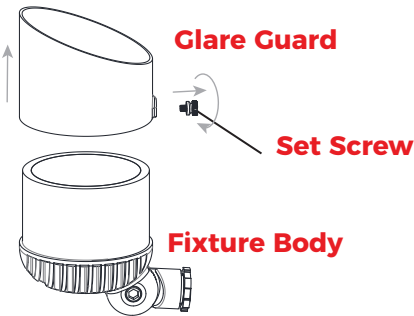


Using the Allen wrench, loosen the screw at the joint and adjust the fixture to the desired direction. Once the desired direction is achieved, tighten the screw.

Please refer to the “REMOTE CONTROL INSTRUCTIONS” for the remote functions. If you need to replace the lens or install the LED module, please refer to “HOW TO REPLACE LENS” or “HOW TO INSTALL LED MODULE”.

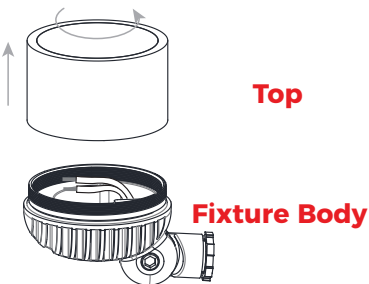
HOW TO REPLACE LENS

1 REMOVE GLARE GUARD

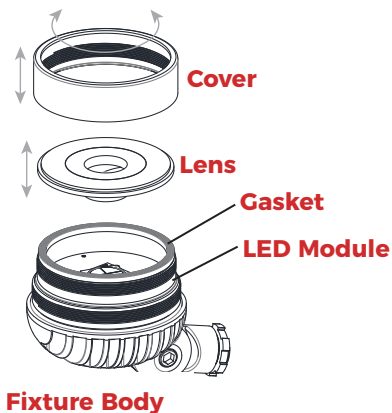


Loosen the set screw and remove the glare guard from the fixture body.

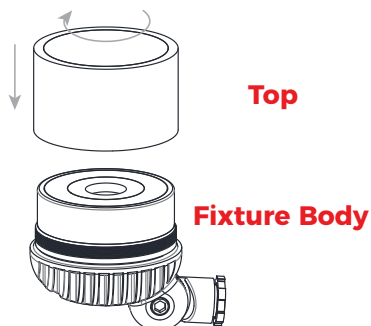
2 REMOVE TOP



Remove the top of the fixture body.

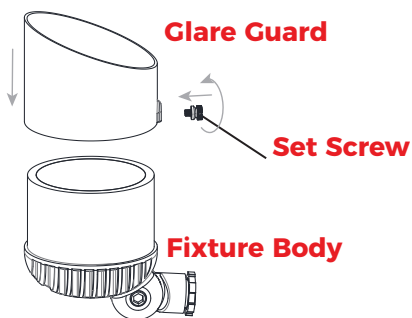
3 REPLACE LENS

1. Twist the cover to remove it from the LED module.
2. Remove the existing lens.
3. Check to make sure the gasket is installed in place.
4. Place the supplied 60° lens.
5. Thread the removed cover back onto the LED module.

4 INSTALL TOP

Thread the top back onto the fixture body.

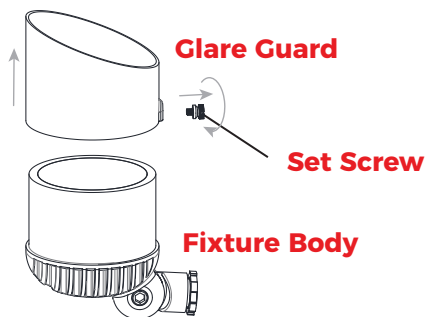
5 INSTALL GLARE GUARD



Install the glare guard back onto the fixture body and secure with the previously removed set screw.

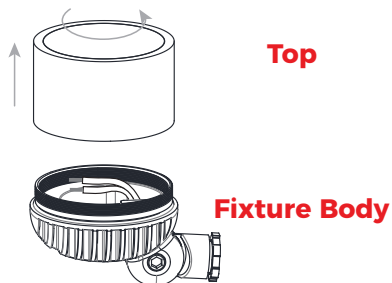
HOW TO INSTALL LED MODULE

1 REMOVE GLARE GUARD

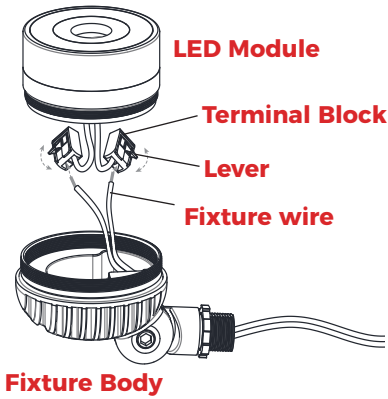


Loosen the set screw and remove the glare guard from the fixture body.

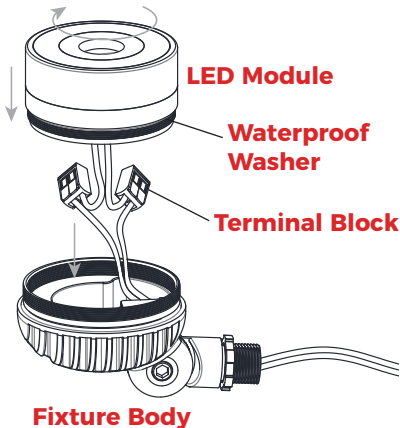
2 REMOVE TOP



Remove the top of the fixture body.

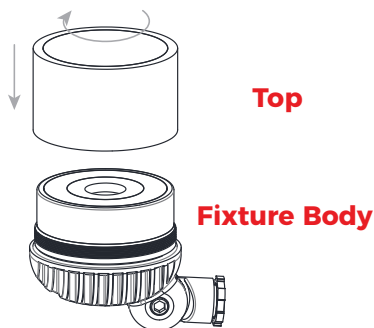
3 **CONNECT LED MODULE**

1. Strip both leads from fixture wire inside of the fixture body.
2. Open the lever above the free port on one terminal block. Insert one of the wires into the terminal block and then push the lever down to engage it.
3. Use the same method to connect the other wire into the other terminal block.

4 **INSTALL LED MODULE**

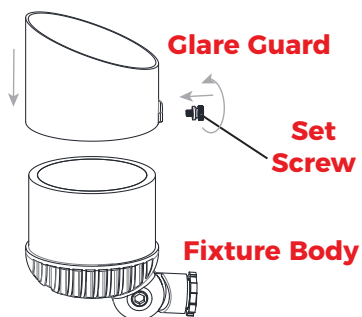
Ensure the waterproof washer is installed in place first. Carefully tuck terminal blocks and slack wires into the fixture body. Thread the LED module onto the fixture body.

5 INSTALL TOP



Thread the top back onto the fixture body.

6 INSTALL GLARE GUARD



Install the glare guard back onto the fixture body and secure with the previously removed set screw.

REMOTE CONTROLLER INSTRUCTIONS

Note: The RGB color wheel on the remote will only control the RGBCW RF LED module. If you use the RGB color wheel with the CW RF LED module the module will turn off.

	No.	Button Name	Function Description
	1	ALL ON	Turns on all lights which are controlled by this remote that are within range.
	2	ALL OFF	Turns off all lights which are controlled by this remote that are within range.
	3	Indicator	Illuminates red when any button is pressed to indicate signal transmission.
	4		RGB color wheel. Touch the desired color to change the light fixture within the selected zone and within range to that color.
	5,6		Decrease or increase the light brightness on the selected zone and within range by pressing the corresponding button.

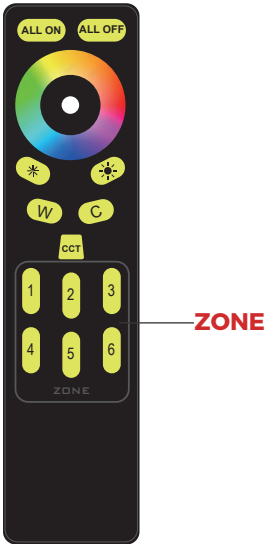
No.	Button Name	Function Description
7	W	Adjusts the light to a warmer color temperature (CCT). Short press for increments, long press for continuous adjustment.
8	C	Adjusts the light to a cooler color temperature (CCT). Short press for increments, long press for continuous adjustment.
9	CCT	Color temperature (CCT) selector. Toggles though 2200K-2700K-3000K-4000K CCT when pressing.
10	ZONE 1,2,3,4,5,6	Zone selection button. Press to select desired zone.

1 INSTALL AAA BATTERIES



Open the battery cover, install two AAA 1.5V batteries into the battery compartment. Pay attention to the “+”/“-” polarities of the battery when installing. Always reinstall the battery cover after installing AAA 1.5V batteries.

2 PAIR CODES TO REMOTE CONTROL



All products default to a factory setting. The lights must be paired by the remote controller before using them.

1. Install light(s).
2. Power the light(s) on. The light(s) will blink between warm and cool light for 30 seconds indicating pairing mode.
3. While the light(s) are in pairing mode, press the desired zone number on the remote once to pair the light fixture(s) with that zone. Cool white light (4000K) will flash three times indicating that the

2 PAIR CODES TO REMOTE CONTROL (CONTINUED)

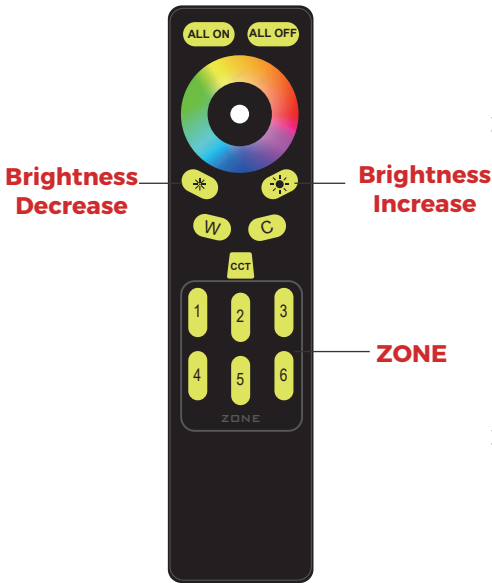
fixture is paired successfully with the zone. The light(s) will turn to warm white light (2200K).

4. Using the same process you can pair additional fixtures to the same or different zones.

Note:





1. Please ensure light(s) are within range of the remote controller.
2. If zone pairing fails, power the light(s) OFF and ON, then repeat the above steps.
3. If pairing operation is not completed within 30 seconds, the lights will return to their default static cool white CCT (4000K). Once in this state, whenever the light(s) are powered OFF and back ON, the light(s) will re-initiate pairing mode for 30 seconds. This process will continue until pairing is successful.
4. The RF bulb(s) or fixture(s) can be paired with a maximum of 4 remote controllers. Power the light(s) OFF and ON and within 30 seconds the bulbs and fixtures can be paired with another remote controller by pressing the desired zone number. The fixture will flash cool white light (4000K) once after successful pairing. The bulb(s) or fixture(s) can be controlled by any of the paired remote controllers.
5. If more than 4 remote controllers are paired to the lights successfully, the first remote controller will be unpaired automatically. Only the last 4 remote controllers are functional.

3 ADJUST BRIGHTNESS



1. Select the desired lights by pressing the zone to which they have been assigned.
2. Press the brightness increase button to increase the light brightness, or press the brightness decrease button to decrease the light brightness.

Note:

1. Press the  or  button once and the brightness will adjust one level.
2. Long press the  or  button, and the brightness will gradually increase or decrease until the button is released.

4 ADJUST COLOR TEMPERATURE



1. Select the lights by pressing the zone they are in.
2. Press the warm light button or cool light button to the desired color temperature.

Note:

1. Press W (warm light) button or C (cool light) button once, the color temperature will adjust to the next level.
2. Long press the W (warm light) button or C (cool light) button, the color temperature will gradually increase or decrease until the button is released.

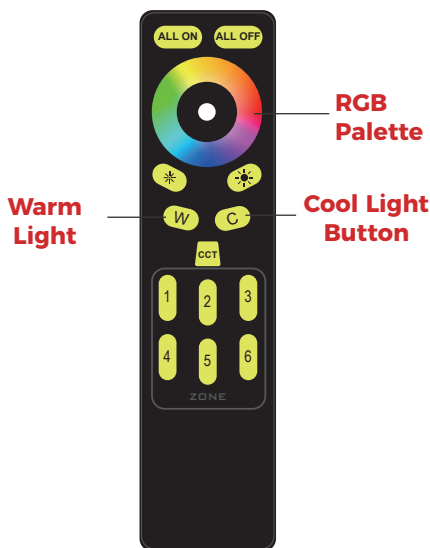
5 QUICK COLOR TEMPERATURE ADJUSTMENT



The preset color temperatures of the CCT button are 2200K, 2700K, 3000K and 4000K.

1. Select the lights by pressing the zone they are in.
2. Press the CCT button to adjust the lights through 2200K-2700K-3000K-4000K color temperatures.

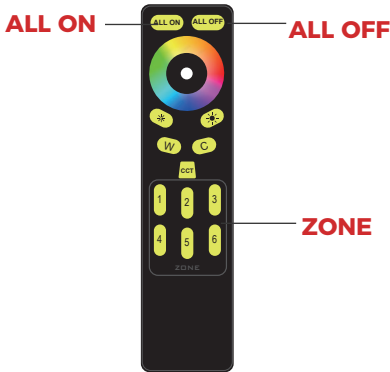
6 ADJUST COLOR



Use the RGB Palette wheel to select colored light modes and “W”, “C”, or “CCT” buttons to select white light modes.

1. For white light, press the warm light button or cool light button to adjust the white light color temperature.
2. For color light, touch the RGB palette wheel to adjust the light color.

7 CONTROL BY GROUP



1. To control lights by group, Select the lights by pressing the zone they are in. And then press respective function buttons to adjust the lights.

8 UNPAIR LIGHTS



If you need to re-pair the light(s) that have already been paired to a different zone, they must be unpaired first.

1. **To unpair lights by group**, power off the light(s) that are required to be unpaired and then power on. Select the light(s) by pressing the zone they are in. Press the corresponding zone button 6 times.
2. **To unpair all lights**, power off all lights and then power on them. Press the “ALL ON” button 6 times.
3. After pressing 6 times, the corresponding lights will flash 3

times and then turn off, indicating that unpairing is complete. Now the lights will be restored to the factory setting.

Note:

1. When the lights are ready for unpairing, you must only press zone button 1 to 6 in the zone area or “ON” button. Otherwise, unpairing will fail.
2. If unpairing fails, the process needs to be re-initiated.



1-813-978-3700 • Mon-Fri 9am-6pm (EST)

Specifications and product details subject to change without notice.
© Copyright 2024, AMP® Lighting, Lutz FL USA 33549 • All rights reserved.
customersupport@amplighting.com • amplighting.com